

SAFETY INFORMATION



WARNING - Failure to follow these instructions could affect vehicle performance and/or safety and result in personal injury or death.

- **Do not convert or alter Spicer axles except in accordance with vehicle manufacturer's instructions.**

Spicer axles are designed to meet OEM vehicle manufacturer's design and performance specifications. Improper conversion or alteration of these axles can damage the axles and/or other vehicle systems. Contact the OEM manufacturer for specific directions and guidelines.

- **Do not change axle gear ratios on vehicles with anti-lock braking systems except in accordance with the vehicle manufacturer's instructions.**

Vehicles with anti-lock braking systems may utilize sensors and tone rings within the axle housings to ensure the functioning of the anti-lock brakes. Improperly changing the axle ratios may defeat the anti-lock braking system. If changing axle ratios will require changing the location of the tone ring on the ring gear flange relative to the location of the sensor in the axle housing, contact the OEM manufacturer for specific directions and guidelines.

- **Do not reuse or substitute ring gear bolts.**

If you reuse a ring gear bolt or substitute an inferior quality bolt, the bolt may loosen or back out of its threaded hole, causing severe damage to the axle gears and other components and possibly resulting in a sudden "locking up" of the axle and loss of control of the vehicle.

Always use new bolts specifically recommended for the application and install bolts using proper tools and torquing to the proper specifications.



CAUTION - Do not substitute parts not of Spicer quality.

Spicer axles are designed for each model vehicle, and manufactured and tested for safety and best performance. Replacement parts from other manufacturers may not be made to Spicer's rigid quality standards. To be sure you're getting Spicer quality, always use genuine Spicer parts.



This symbol warns of possible personal injury.

CONTENTS

How to Use This Catalog	ii		
General Information	iv		
Axle Kits	vi		
Model 28 /174 IFS Front Axles	1	Model 60 /248 Front Axles	73
Exploded View	2	Exploded View	74
Parts Listing	3	Parts Listing	75
Bill of Material Table	5	Bill of Material Table	77
Variable Parts Table	7	Variable Parts Table	80
Model 35 /194 IFS Axles with Cardan Joints	9	Model 60 /248 Year 2000 Front Axles	83
Exploded View	10	Exploded View	84
Parts Listing	11	Parts Listing	85
Bill of Material Table	12	Bill of Material Table	86
Variable Parts Table	14	Variable Parts Table	88
Model 44 /216 IFS Front Axles	17	Model 30 /181 Rear Axles	89
Exploded View	18	Exploded View	90
Parts Listing	19	Parts Listing	91
Bill of Material Table	21	Bill of Material Table	92
Variable Parts Table	29	Model 44 /216 Rear Axles	93
Model 50 /229 IFS Front Axles	39	Exploded View	94
Exploded View	40	Parts Listing	95
Parts Listing	41	Bill of Material Table	96
Bill of Material Table	43	Model 60 /248 Rear Axles	97
Variable Parts Table	45	Exploded View	98
Model 28 /174 Front Axles	47	Parts Listing	99
Exploded View	48	Bill of Material Table	100
Parts Listing	49	Variable Parts Table	112
Bill of Material Table	50	Model 61 Rear Axles	127
Model Super 30 /186 Front Axles	51	Exploded View	128
Exploded View	52	Parts Listing	129
Parts Listing	53	Bill of Material Table	130
Bill of Material Table	54	Variable Parts Table	135
Model 35 /194 Axles with CV Joints	55	Model 70 /267 Rear Axles	137
Exploded View	56	Exploded View	138
Parts Listing	57	Parts Listing	139
Bill of Material Table	58	Bill of Material Table	140
Variable Parts Table	60	Variable Parts Table	162
Model 44 /216 Front Axles	61	Model 80 /286 Rear Axles	185
Exploded View	62	Exploded View	186
Parts Listing	63	Parts Listing	187
Bill of Material Table	65	Bill of Material Table	188
Variable Parts Table	66	Variable Parts Table	195
Model 50 /229 Front Axles	67	Camber/ Casting Bushing Table	203
Exploded View	68	Differential Bearing Adjustment Shim Table	204
Parts Listing	69		
Bill of Material Table	70		
Variable Parts Table	72		

HOW TO USE THIS CATALOG

This catalog contains applications and part listings for front and rear axles which fit Ford vehicles from model years 1978-2002. For information on Ford prior to 1978, please refer to catalog X510-8DSD.

The data in this publication is arranged in numerical order by model for front axles and then for rear axles. Each model contains the following three sections:

- **Parts Listing and Exploded View**

This section contains an exploded view of the axle and lists all the part numbers for those parts illustrated. The parts that do not have a common part number have a footnote reference indicating where to find the correct part number for each Bill of Material.

44 /216 FRONT FOR FORD PARTS LISTING

ITEM NO.	PART NUMBER	DESCRIPTION	ITEM NO.	PART NUMBER	DESCRIPTION
1	— ³	Housing – Axle Service	30	17878	Shaft – Differential (std)
2	— ¹	Drive Gear & Pinion Kit	31	13449	Lock – Differential Shaft
3	30764	Slinger – Pinion Bearing Inner	32	— ²	Seal & Guide Tube
4	706031X	Inner Pinion Bearing Kit		— ²	KIT – Right Knuckle Assy (inc 32,33,34,35,36,37,38,39,42)
	706376X	KIT – Diff & Pinion Adj Shim (inc 5, 7, 12, 13, 16, 22)		— ²	KIT – Left Knuckle Assy (inc 25, 27, 28, 30, 43)
	706252Y	KIT – Pinion Bm Adj Shim			

- **Bill of Material Table**

This section contains vehicle applications listed in order by year. Included in the table are the major kits and assemblies for each Bill of Material number.

44 /216 FRONT FOR FORD BILL OF MATERIAL TABLE

AXLE			AXLE KITS				SHAFT & JOINT ASSY.	
BILL OF MATERIAL	DIFF. TYPE	RATIO	RING GEAR & PINION KIT ⁶	DIFFERENTIAL			RIGHT HAND SHAFT ASSY.	LEFT HAND SHAFT ASSY.
				CASE ASSY. KIT ⁷	CASE KIT	INNER PARTS KIT		
1979 F-150 1/2 Ton Pick-Up (Full Time Transfer Case)								
610066-1	Standard	3.00	707240-2X	706020X	706024X	706027X	660124-1	660124-2
610066-2	Standard	3.50	707240-5X	706020X	706024X	706027X	660124-1	660124-2
610066-3	Standard	4.09	707240-9X	706021X	706025X	706027X	660124-1	660124-2
610066-4	Standard	4.00	707240-9Y	706021Y	706025Y	706027Y	660124-1	660124-2

- Variable Parts Table

This section contains the individual part numbers that vary by Bill of Material number for a given model.

44 /216 FRONT FOR FORD VARIABLE PARTS TABLE

Kits & Parts - Use With All Applications							
Description & Item Number (Refer to "Exploded View" on page 60)			Bills of Material				
			610066	610067	610068	610069	
1	Seal & Guide Tube	32	620257-2	620257-2	620216	620216	
2	KIT – Right Knuckle Assy	-	700035	700035	700001	700010	
3	KIT – Left Knuckle Assy	-	660108	660108	660025	660032	
4	Right Knuckle	43	620161	620161	620037	620045	
5	Left Knuckle	44	620162	620162	620038	620046	
6	KIT – Spindle	-	706552X	706552X	706552X	700004	
7	Spindle – Wheel Bearing	54	38421	38421	38421	620006	

Note: Additional information on Spicer axles can be found in our General Information catalog number XGI. It contains the following sections:

- Bill of Material Numerical Listing
- Ring and Pinion Kits
- Differential Case Assembly Kits
- Axle Shaft Dimension and Components

GENERAL INFORMATION

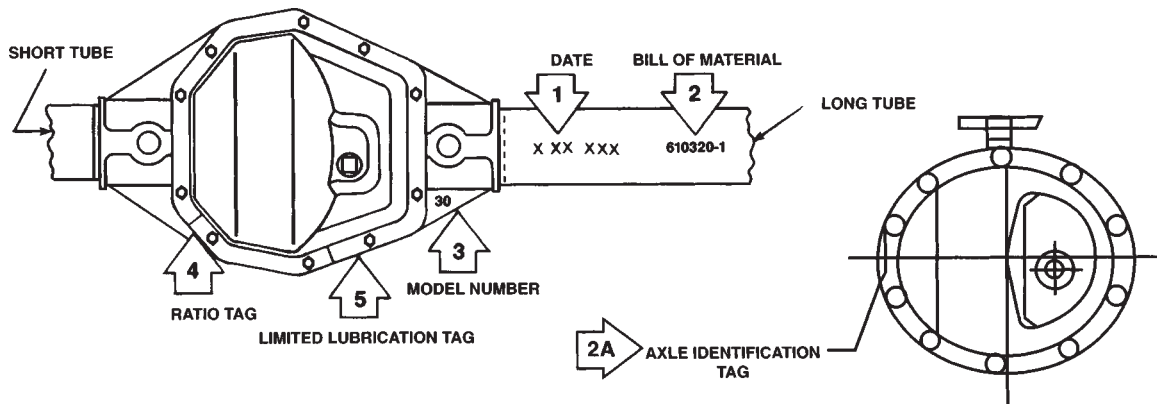
How To Identify A Spicer Axle

All Spicer Carrier Type axles are identified with a manufacturing date (1) and Bill of Material number (2) stamped on the right or left hand tube on driving axles. The Bill of Material number may also be found on the carrier in some models as shown in illustration (2A). For independent front suspension (IFS) axles, the B/M number may be located at one of three locations: 1) A vertically positioned tag near the center of the right hand side support arm, 2) stamped into the left hand side support arm (opposite end of the camber adjuster), or 3) stamped into the "nose end" of the axle carrier. The location of the information will depend on the manufacturing date of the axle.

The axle model number will be cast into one of the webs as shown (3), or it can be on the nose.

Each axle contains a gear ratio tag (4), and if the axle is equipped with a limited slip differential, it will have a tag.. specifying the type of limited slip lubricant to be used (5).

Refer to the appropriate model number section for parts identification and a breakdown of the Bill of Material.



How To Change Gear Ratios

To increase or decrease a gear ratio, there are certain steps that must be taken. The differential case depends upon the ratio desired. For each axle model, there is a high-ratio and a low-ratio case as illustrated below:

Axle Model	Low Ratio Case	High Ratio Case	Axle Model	Low Ratio Case	High Ratio Case
Model 27	3.73 and Down	3.92 and Up	Model 50	4.10 and Down	—
Model 28	3.45 and Down	3.73 and Up	Model 60	4.10 and Down	4.56 and Up
Model 28 IFS Aerostar	2.27, 3.73	—	Model 61 Semi Float	3.00 and 3.07 only	—
Model 30	3.55 and Down	3.73 and Up	Model 61 Full Float	3.31 and Down	3.54 and Up
Model 35	2.35 only	—	Model 70	4.10 and Down	4.56 and Up
Model 35	2.73 - 3.31	3.54 and Up	Model 70-3HD	3.42 and Down	3.73 and Up
Model 36 ICA	2.73 and Down	3.07 and Up	Model 70-2UA	3.07 only	—
Model 44	3.73 and Down	3.92 and Up	Model 80	3.73 and Down	4.10 and Up
Model 44 ICA 1984 & earlier	3.73 and Down	3.92 and Up			
Model 44 ICA 1985 & later	2.87 and Down	3.07 and Up			

Example - If you have a model 44 Rear Axle with a 3.54 ratio and wish to change to a 3.73 ratio, you change only the ring gear and pinion assembly. If you change the ratio to a 4.09, you must change to a high-ratio case in addition to changing the ring gear and pinion. The application section will show you what case to use. When the vehicle is equipped with both front and rear driving axles, the gear ratios must be the same in both axles. **The drive gear screws are self-locking and must be replaced with new screws each time that they are removed.**

How Limited Slip Differentials Operate

A conventional differential transmits all the ring gear torque through the differential gears to the axle shafts. Torque is at all times equal on the axle shafts, and if one wheel slips, the other wheel can only put out as much torque as the slipping wheel.

The Spicer Limited Slip differential has the same power flow as a conventional differential, plus a more direct flow which automatically takes effect as driving conditions demand. This more direct power flow is from the differential case to each axle shaft through a clutch plate and disc arrangement.

Arrangement of these plates and discs is at the option of the vehicle manufacturer, so care should be taken during disassembly to note the arrangement of these components.

The Limited Slip construction permits differential action when required for turning corners and transmits equal torque to both wheels when driving straight ahead. However, when one wheel tries to spin due to leaving the ground, a patch of ice, etc., the clutch packs automatically provide more torque to the wheel which is not trying to spin.

The Limited Slip differential resists wheel spin on bumpy roads and provides more pulling power when one wheel tries to slip. In many cases of differences in traction, pulling power will be automatically provided until both wheels start to slip.

In diagnosis of vehicle operators' complaints, it is important to recognize two things.

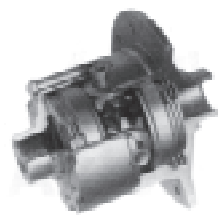
1. If, with unequal traction, both wheels slip, the Limited Slip Differential has done all it can possibly do.
2. In extreme cases of differences in traction, the wheel with the least traction may spin after the Limited Slip has transferred as much torque as possible to the non-slipping wheel.

How To Distinguish a Powr-Lok™ from a Trac-Lok™

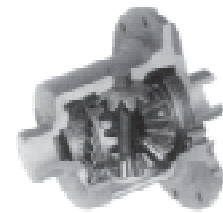
All Models **except Model 80 /286**: The Powr-Lok design is identified by its 2-piece case. The Trac-Lok design is identified by its 1-piece case.

Model 80 /286 only: Both the Powr-Lok and the Trac-Lok use 2-piece cases in the model 80 (286) axle. The difference between the two is in the shape of the holes for the cross shaft. The Powr-Lok case will have cross shaft holes that are "U" shaped in one case half and "V" shaped in the other case half. The Trac-Lok case will have cross shaft holes that are semicircles in both case halves.

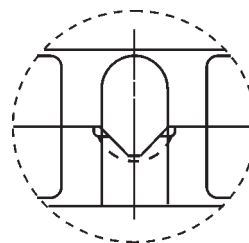
It is also possible to replace an existing Powr-Lok unit with a complete Trac-Lok unit. For this purpose, the differential case assembly must be replaced.



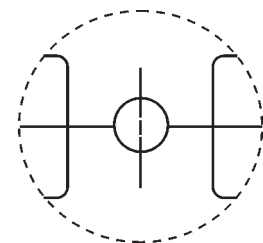
POWR-LOK™
2-Piece Case
4-Pinion Mate Gears



TRAC-LOK™
1-Piece Case
2-Pinion Mate Gears



Cross shaft view
of a Model 80
Power Lok case



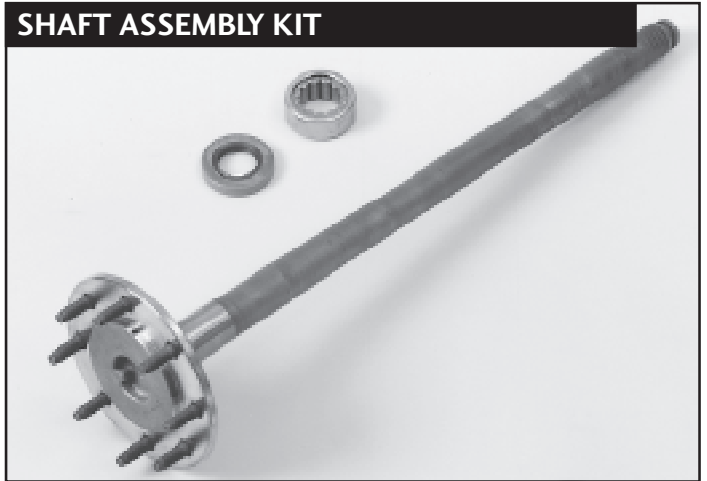
Cross shaft view
of a Model 80
Trak Lok case

How To Obtain Special Service Tools

Special service tools (see service manuals) can be obtained from the following companies:

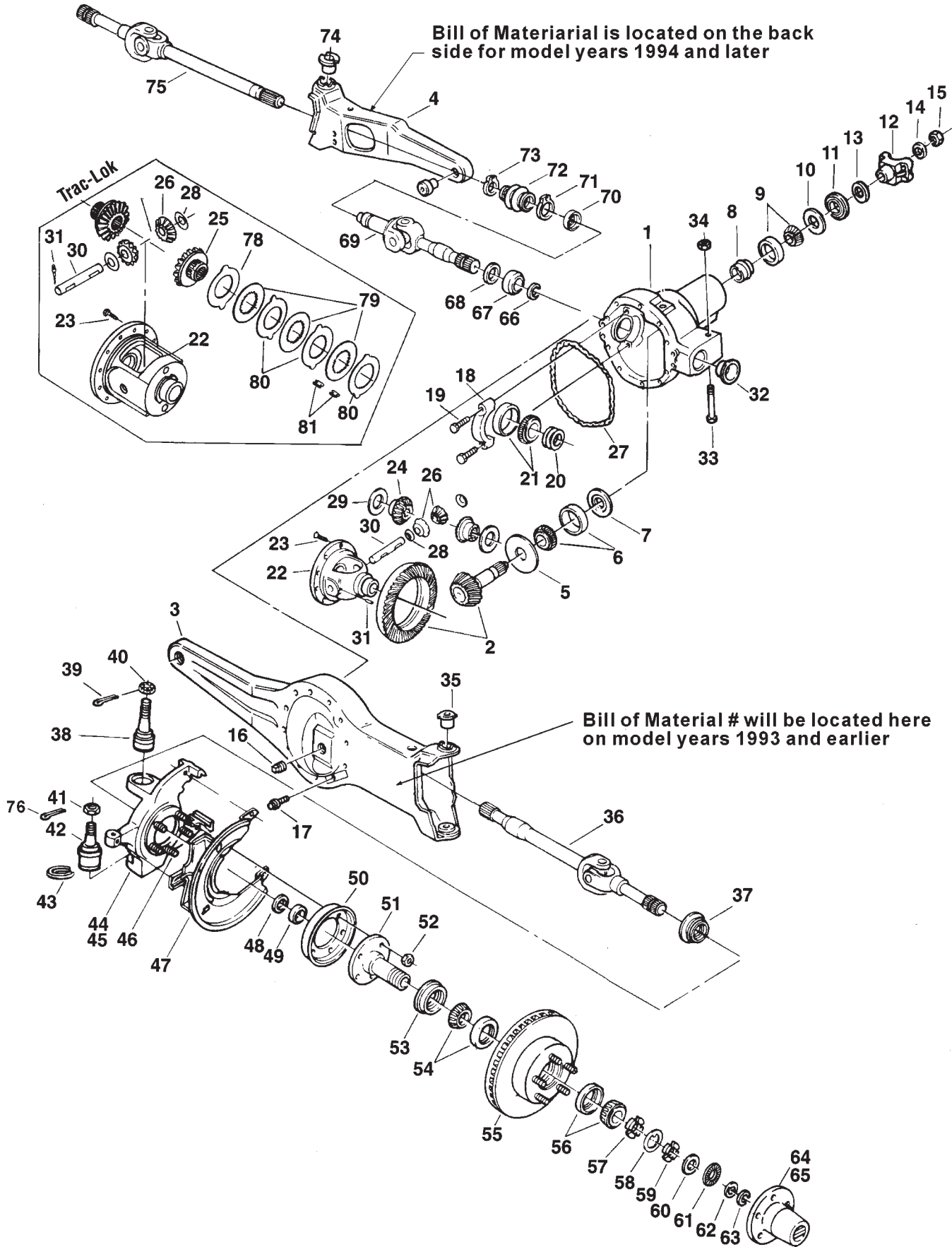
Kent-Moore
OE Tool and Equipment Group
SPX Corporation
28635 Mound Road
Warren MI 48092-3499
(800) 345-2233

SPICER® LIGHT AXLE KITS



**MODEL 28 /174 IFS
FRONT AXLES for
RANGER AND BRONCO II**

28 /174 IFS FRONT EXPLODED VIEW



MODEL 28 /174 IFS FRONT AXLES FOR FORD PARTS LISTING

ITEM NO.	PART NUMBER	DESCRIPTION	ITEM NO.	PART NUMBER	DESCRIPTION
1	— ³	Housing – Axle Service	34	40818	Nut – Pinch Bolt
2	— ¹	Ring Gear & Pinion Kit	35	— ⁵	Camber Bushing (LH)
3	— ³	LH Support Arm Assembly	36	— ¹	Left Shaft & Joint Assembly
4	— ³	RH Support Arm Assembly	37	— ²	Seal – Oil
5	—	Inner Pinion Adj Shims (See Kits – 707081X & 707082X)		— ²	KIT – Spindle Assy (inc 37, 48, 49, 51)
	707081X	KIT – Pinion Bearing Shim (inc 5, 8, 14, 15, 27, 66)		— ²	ASSY – Spindle
	707082X	KIT – Diff & Pinion Shim (inc 5, 8, 14, 15, 20, 27, 66)		— ²	KIT – Spindle Seal & Bearing (inc 37, 48, 49)
6	706123X	Inner Pinion Bearing Kit	38	— ²	Socket – Upper
7	620879	Baffle – Pinion Bearing	39	— ²	Pin – Cotter (Upper Socket)
8	620878-1	Spacer – Collapsible	40	— ²	Snap Ring (Upper Socket)
9	706894X	Outer Pinion Bearing Kit	41	— ²	Nut – Slotted Upper
10	36714	Slinger – Pinion Bearing Outer	42	— ²	Nut – Lock (lower socket)
11	40554	Seal – Pinion Oil	43	— ²	Socket – Lower
12	2-4-6131-1X	End Yoke or Assembly (inc 13)	44	40547	Ring – Snap
13	41498	Slinger – End Yoke	45	— ³	Right Knuckle
14	30186	Washer – Pinion Nut	46	— ³	Left Knuckle
15	30185	Nut – Pinion	47	— ²	Bolt – Hex
16	— ²	Plug – Fill	48	— ³	Splash Shield
17	40326-1	Bolt – Diff Carrier	49	— ²	Seal – Oil (Spindle)
18	— ⁴	Cap – Differential Bearing	50	— ²	Bearing Assy – Spindle
19	620752	Bolt – Differential Bearing Cap	51	— ²	Brake Dust Shield
20	706896X	KIT – Diff Brg Adj Shim (Inc. 27,66)	52	— ²	Spindle
21	706893X	Differential Bearing Kit	53	40107	Nut – Lock (qty 10)
22	— ⁴	Case – Differential	54	— ²	Seal – Oil
23	41221	Bolt – Drive Gear (qty 10)	55	— ²	Inner Wheel Bearing
24	40380	Gear – Differential (std)	56	— ³	Hub & Rotor
25	40382	Gear – Differential (t/l)	57	— ²	Outer Wheel Bearing
26	32926	Pinion – Differential	58	— ²	Nut & Pin Assy'(Man. Hub Lock)
27	38615	RTV Silicone Sealant	59	— ²	Lockwasher – Wheel Brg Nut (Manual Hub Lock)
28	34096	Thrustwasher-Diff Pinion	60	— ²	Nut – Spindle (Manual Hub Lock)
29	620875	Thrustwasher-Diff Gear (std only)	61	— ²	Thrstwshr-Bearing
30	32915	Shaft – Differential	62	— ²	Brgng-Needle Thrust
31	13449	Lock-Differential Shaft	63	— ²	Spacer-Axle Shaft
32	40403	Seal – Oil		— ²	Thrustwasher Pkg.
33	40817-1	Bolt – Pinch		— ²	Snap Ring

1 See “Bill of Material Table” on page 5

2 See “Variable Parts Table” on page 7

3 Contact Vehicle Manufacturer.

4 Not Sold Separately.

5 See Camber/Casting Bushing Table on page 203.

MODEL 28 /174 IFS FRONT AXLES FOR FORD PARTS LISTING

ITEM NO.	PART NUMBER	DESCRIPTION
64	— 2	Manual Hub Lock Assy
65	— 3	Automatic Hub Lock Assy
66	42570	Snap Ring
67	565987	Bearing Assy
68	40108	Seal – Oil
69	— 1	Shaft & Slip Yoke Assy (inc. 70)
70	— 2	Seal – Oil
71	— 2	Clamp – Keystone
72	— 2	Boot – Rubber
73	— 2	Clamp – Keystone
74	— 5	Camber Bushing (RH)
75	— 1	Right Shaft & Joint Assembly
76	—	Cotter Pin (Lower Socket)
	706892X	Kit – Diff Plate & Disc (t/l)
78	— 4	Plate – Diff Pressure (t/l)
79	— 4	Disc – Diff (t/l)
80	— 4	Plate – Diff (t/l) (selective thickness)
81	35676	Diff Clutch Retainer (t/l)

1 See “Bill of Material Table” on page 5

2 See “Variable Parts Table” on page 7

3 Contact Vehicle Manufacturer.

4 Not Sold Separately.

MODEL 28 /174 IFS FRONT AXLES FOR FORD

BILL OF MATERIAL TABLE

AXLE			AXLE KITS				SHAFT & JOINT ASSY.		
BILL OF MATERIAL	DIFF. TYPE	RATIO	RING GEAR & PINION KIT ⁶	DIFFERENTIAL			RIGHT HAND SHAFT ASSY.	LEFT HAND SHAFT ASSY.	SHAFT & SLIP YOKE ASSY.
				CASE ASSY. KIT ⁷	CASE KIT	INNER PARTS KIT			
1983-84 Ranger									
610171-1	Standard	3.08	707080-1X	706972X	706973X	706890X	71702-1X	71703-1X	71691X
610171-3	Standard	3.45	707080-2X	706972X	706973X	706890X	71702-1X	71703-1X	71691X
610171-5	Standard	3.73	707080-3X	706974X	706975X	706890X	71702-1X	71703-1X	71691X
610171-6	Trac Lok	3.73	707080-3X	706885X	706889X	706891X	71702-1X	71703-1X	71691X
610171-8	Standard	3.45	707080-2X	706972X	706973X	706890X	71702-1X	71703-1X	71691X
610171-9	Standard	3.73	707080-3X	706974X	706975X	706890X	71702-1X	71703-1X	71691X
610171-10	Standard	4.10	707080-4X	706974X	706975X	706890X	71702-1X	71703-1X	71691X
610171-11	Standard	3.08	707080-1X	706972X	706973X	706890X	71702-1X	71703-1X	71691X
610171-12	Standard	3.45	707080-2X	706972X	706973X	706890X	71702-1X	71703-1X	71691X
610171-13	Standard	3.73	707080-3X	706974X	706975X	706890X	71702-1X	71703-1X	71691X
610171-14	Standard	3.45	707080-2X	706972X	706973X	706890X	71702-1X	71703-1X	71691X
610171-15	Standard	3.73	707080-3X	706974X	706975X	706890X	71702-1X	71703-1X	71691X
610171-16	Standard	4.10	707080-4X	706974X	706975X	706890X	71702-1X	71703-1X	71691X
610171-17	Trac Lok	4.10	707080-4X	706885X	706889X	706891X	71702-1X	71703-1X	71691X
1984 1/2-85 Ranger/Bronco II									
610223-1	Trac Lok	3.73	707080-3X	706885X	706889X	706891X	71702-1X	71703-1X	71691X
610223-2	Standard	3.08	707080-1X	706972X	706973X	706890X	71702-1X	71703-1X	71691X
610223-3	Standard	3.45	707080-2X	706972X	706973X	706890X	71702-1X	71703-1X	71691X
610223-4	Standard	3.73	707080-3X	706974X	706975X	706890X	71702-1X	71703-1X	71691X
610223-5	Standard	3.45	707080-2X	706972X	706973X	706890X	71702-1X	71703-1X	71691X
610223-6	Standard	3.73	707080-3X	706974X	706975X	706890X	71702-1X	71703-1X	71691X
610223-7	Standard	4.10	707080-4X	706974X	706975X	706890X	71702-1X	71703-1X	71691X
610223-8	Trac Lok	4.10	707080-4X	706885X	706889X	706891X	71702-1X	71703-1X	71691X
610223-9	Standard	3.45	707080-2X	706972X	706973X	706890X	71702-1X	71703-1X	71691X
610223-10	Standard	3.73	707080-3X	706974X	706975X	706890X	71702-1X	71703-1X	71691X
610223-11	Standard	4.10	707080-4X	706974X	706975X	706890X	71702-1X	71703-1X	71691X
1986-87 Ranger/Bronco II									
610249-1	Trac Lok	3.73	707080-3X	706885X	706889X	706891X	71702-1X	71703-1X	71691X
610249-2	Standard	3.08	707080-1X	706972X	706973X	706890X	71702-1X	71703-1X	71691X
610249-3	Standard	3.45	707080-2X	706972X	706973X	706890X	71702-1X	71703-1X	71691X
610249-4	Standard	3.73	707080-3X	706974X	706975X	706890X	71702-1X	71703-1X	71691X
610249-5	Standard	4.10	707080-4X	706974X	706975X	706890X	71702-1X	71703-1X	71691X
610249-6	Trac Lok	4.10	707080-4X	706885X	706889X	706891X	71702-1X	71703-1X	71691X
610249-7	Standard	3.45	707080-2X	706972X	706973X	706890X	71702-1X	71703-1X	71691X
610249-8	Standard	3.73	707080-3X	706974X	706975X	706890X	71702-1X	71703-1X	71691X
610249-9	Standard	4.10	707080-4X	706974X	706975X	706890X	71702-1X	71703-1X	71691X
1987 1/2 Ranger/Bronco II									
610298-3	Standard	3.45	707080-2X	706972X	706973X	706890X	71702-1X	71703-1X	71691X
610298-4	Standard	3.73	707080-3X	706974X	706975X	706890X	71702-1X	71703-1X	71691X
610298-5	Standard	4.10	707080-4X	706974X	706975X	706890X	71702-1X	71703-1X	71691X
610298-7	Standard	3.45	707080-2X	706972X	706973X	706890X	71702-1X	71703-1X	71691X
610298-8	Standard	3.73	707080-3X	706974X	706975X	706890X	71702-1X	71703-1X	71691X
610298-9	Standard	4.10	707080-4X	706974X	706975X	706890X	71702-1X	71703-1X	71691X

⁶ See Ring Gear & Pinion Kits in XGI Catalog for ratio & tooth combinations.

⁷ See Differential Case Assy Kits in XGI Catalog for spline data & ratios.

MODEL 28 /174 IFS FRONT AXLES FOR FORD

BILL OF MATERIAL TABLE

AXLE			AXLE KITS				SHAFT & JOINT ASSY.		
BILL OF MATERIAL	DIFF. TYPE	RATIO	RING GEAR & PINION KIT ⁶	DIFFERENTIAL			RIGHT HAND SHAFT ASSY.	LEFT HAND SHAFT ASSY.	SHAFT & SLIP YOKE ASSY.
				CASE ASSY. KIT ⁷	CASE KIT	INNER PARTS KIT			
1988-89 Ranger/Bronco II									
610307-1	Standard	3.45	707080-2X	706972X	706973X	706890X	71702-1X	71703-1X	71691X
610307-2	Standard	3.73	707080-3X	706974X	706975X	706890X	71702-1X	71703-1X	71691X
610307-3	Standard	4.10	707080-4X	706974X	706975X	706890X	71702-1X	71703-1X	71691X
610307-4	Standard	3.45	707080-2X	706972X	706973X	706890X	71702-1X	71703-1X	71691X
610307-5	Standard	3.73	707080-3X	706974X	706975X	706890X	71702-1X	71703-1X	71691X
610307-6	Standard	4.10	707080-4X	706974X	706975X	706890X	71702-1X	71703-1X	71691X
1993-94 1/2 Ranger									
610418-1	Standard	3.73	707080-3X	707270X	707272X	706890X	74931-1X	74933-1X	74414-1X
610418-2	Standard	4.10	707080-4X	707270X	707272X	706890X	74931-1X	74933-1X	74414-1X
610418-3	Standard	3.73	707080-3X	707270X	707272X	706890X	74931-1X	74933-1X	74414-1X
610418-4	Standard	4.10	707080-4X	707270X	707272X	706890X	74931-1X	74933-1X	74414-1X
610418-5	Standard	3.45	707080-2X	707271X	707273X	706890X	74931-1X	74933-1X	74414-1X
610418-6	Standard	3.45	707080-2X	707271X	707273X	706890X	74931-1X	74933-1X	74414-1X
1995-97 1/2 Ranger ABS									
610484-4	Standard	3.73	707080-3X	707270X	707272X	706890X	75240-1X	75242-1X	74414-1X
610484-6	Standard	4.10	707080-4X	707270X	707272X	706890X	75240-1X	75242-1X	74414-1X
610484-7	Standard	3.73	707080-3X	707270X	707272X	706890X	75240-1X	75242-1X	74414-1X
610484-8	Standard	4.10	707080-4X	707270X	707272X	706890X	75240-1X	75242-1X	74414-1X
1997 Ranger NON ABS									
610653-1	Standard	3.73	707080-3X	707270X	707272X	706890X	75240-1X	75242-1X	74414-1X
610653-2	Standard	3.73	707080-3X	707270X	707272X	706890X	75240-1X	75242-1X	74414-1X
610653-3	Standard	4.10	707080-4X	707270X	707272X	706890X	75240-1X	75242-1X	74414-1X
610653-4	Standard	4.10	707080-4X	707270X	707272X	706890X	75240-1X	75242-1X	74414-1X

⁶ See Ring Gear & Pinion Kits in XGI Catalog for ratio & tooth combinations.

⁷ See Differential Case Assy Kits in XGI Catalog for spline data & ratios.

MODEL 28 /174 IFS FRONT AXLES FOR FORD VARIABLE PARTS TABLE

Kits & Parts - Use With All Applications							
Description & Item Number (Refer to "Exploded View" on page 2)			Bills of Material				
			610171	610223	610249	610298	610307
1	Plug – Fill	16	36472	36924-2	36924-2	36924-2	36924-2
2	Seal – Oil	37	40684	40684	40684	40684	40684
3	KIT – Spindle Assy	-	706901X	706901X	706901X	706901X	706901X
4	ASSY – Spindle	-	71931X	71931X	71931X	71931X	71931X
5	KIT – Spindle Seal & Bearing	-	706902X	706902X	706902X	706902X	706902X
6	Socket – Upper	38	40379-1	40379-1	40379-1	40379-1	40379-1
7	Pin – Cotter (Upper Socket)	39	500024-5	500024-5	500024-5	500024-5	500024-5
8	Snap Ring (Upper Socket)	-	—	—	—	—	—
9	Nut – Slotted Upper	40	40060	40060	40060	40060	40060
10	Nut – Lock (lower socket)	41	40061	40061	40061	40061	40061
11	Socket – Lower	42	40379-2	40379-2	40379-2	40379-2	40379-2
12	Bolt – Hex	46	40072-1	40072-1	40072-1	40072-1	40072-1
13	Seal – Oil (Spindle)	48	40109	40109	40109	40109	40109
14	Bearing Assy – Spindle	49	565984	565984	565984	565984	565984
15	Brake Dust Shield	50	42940	42940	42940	42940	42940
16	Spindle	51	40404	40404	40404	40404	40404
17	Seal – Oil	53	40400	40400	40400	40400	40400
18	Inner Wheel Bearing	54	706111X	706111X	706111X	706111X	706111X
19	Outer Wheel Bearing	56	706111X	706111X	706111X	706111X	706111X
20	Nut & Pin Assy (Man. Hub Lock)	57	71526X	71526X	71526X	71526X	71526X
21	Lockwasher – Wheel Brg Nut	58	40075	40075	40075	40075	40075
22	Nut – Spindle (Manual Hub Lock)	59	40080	40080	40080	40080	40080
23	Thrstwshr-Bearing	60	40724	40724	40724	40724	40724
24	Brng-Needle Thrust	61	565997	565997	565997	565997	565997
25	Spacer-Axle Shaft	62	40067	40067	40067	40067	40067
26	Thrustwasher Pkg.	-	—	—	—	—	—
27	Snap Ring	63	40079	40079	40079	40079	40079
28	Manual Hub Lock Assy	64	40476	40476	40476	40476	40476
29	Seal – Oil	70	40346	40346	40346	40346	40346
30	Clamp – Keystone	71	40540-1	40540-1	40540-1	40540-1	40540-1
31	Boot – Rubber	72	40465	40465	40465	40465	40465
32	Clamp – Keystone	73	40540-2	40540-2	40540-2	40540-2	40540-2
33	Cotter Pin (Lower Socket)	76	—	—	—	—	—

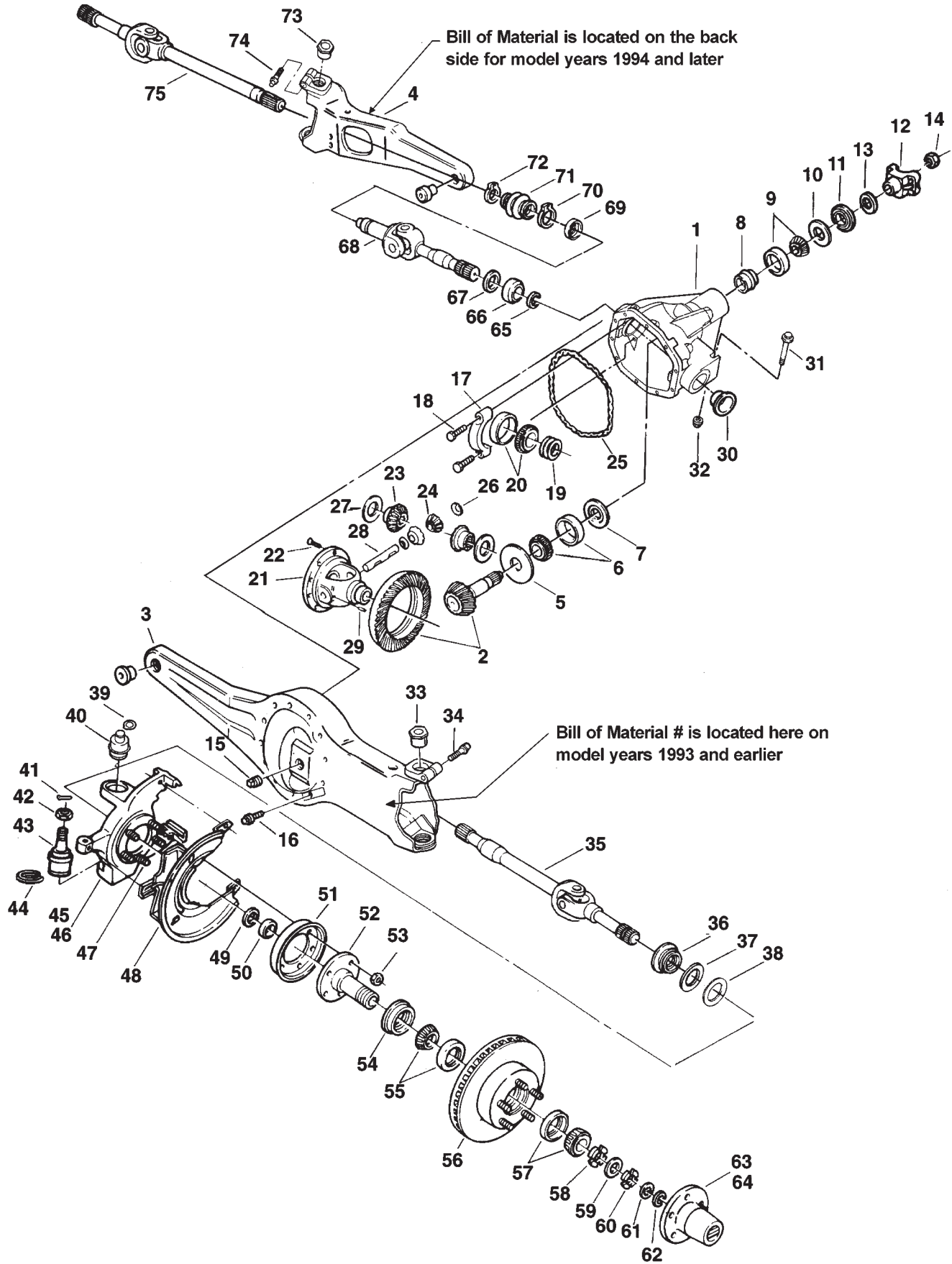
(See next page for additional bills of material)

MODEL 28 /174 IFS FRONT AXLES FOR FORD VARIABLE PARTS TABLE

Kits & Parts - Use With All Applications						
Description & Item Number (Refer to "Exploded View" on page 2)			Bills of Material			
			610418	610484	610653	
1	Plug – Fill	16	36472	36472	36472	
2	Seal – Oil	37	50492	50492	50492	
3	KIT – Spindle Assy	-	—	—	—	
4	ASSY – Spindle	-	74930X	75294X	74930X	
5	KIT – Spindle Seal & Bearing	-	707316X	707355X	707355X	
6	Socket – Upper	38	43200	43200	43200	
7	Pin – Cotter (Upper Socket)	39	—	—	—	
8	Snap Ring (Upper Socket)	-	43671	43671	43671	
9	Nut – Slotted Upper	40	—	—	—	
10	Nut – Lock (lower socket)	41	40060	40060	40060	
11	Socket – Lower	42	43269	43269	43269	
12	Bolt – Hex	46	42775	42775	42775	
13	Seal – Oil (Spindle)	48	45651	45651	45651	
14	Bearing Assy – Spindle	49	550579	550759	550759	
15	Brake Dust Shield	50	—	46197	46197	
16	Spindle	51	44824	44608	44824	
17	Seal – Oil	53	40709	76137X	76137X	
18	Inner Wheel Bearing	54	706110X	706110X	706110X	
19	Outer Wheel Bearing	56	706110X	706110X	706110X	
20	Nut & Pin Assy (Man. Hub Lock)	57	74078X	74078X	74078X	
21	Lockwasher – Wheel Brg Nut	58	36569	36569	36569	
22	Nut – Spindle (Manual Hub Lock)	59	43749	43749	43749	
23	Thrstwshr-Bearing	60	—	—	—	
24	Brng-Needle Thrust	61	—	—	—	
25	Spacer-Axle Shaft	62	42773	—	—	
26	Thrustwasher Pkg.	-	—	701128X	701128X	
27	Snap Ring	63	42768	42768	42768	
28	Manual Hub Lock Assy	64	42767	42767	42767	
29	Seal – Oil	70	40930	40930	40930	
30	Clamp – Keystone	71	40540-4	40540-4	40540-4	
31	Boot – Rubber	72	40929	40929	40929	
32	Clamp – Keystone	73	40540-3	40540-3	40540-3	
33	Cotter Pin (Lower Socket)	76	44500	44500	44500	

**MODEL 35 /194 IFS
FRONT AXLES WITH CARDAN JOINTS for
BRONCO II, EXPLORER &
RANGER**

35 /194 IFS WITH CARDAN JOINTS EXPLODED VIEW



35 /194 IFS WITH CARDAN JOINTS FOR FORD PARTS LISTING

ITEM NO.	PART NUMBER	DESCRIPTION	ITEM NO.	PART NUMBER	DESCRIPTION
1	— ³	Housing – Axle Service	40	43200	Socket – Upper
2	— ¹	Ring Gear & Pinion Kit	41	— ²	Pin – Cotter
3	— ³	LH Support Arm Assembly	42	40060	Nut
4	— ³	RH Support Arm Assembly	43	43269	Socket – Lower
5	73952X	Slinger Shim – Pinion Brg.Inner	44	40547	Snap Ring
6	707162X	Inner Pinion Bearing Kit	45	— ³	Right Knuckle
7	43599	Baffle – Pinion Bearing	46	— ³	Left Knuckle
8	42102	Spacer – Collapsible	47	42775	Bolt – Hex (qty 5)
9	706894X	Outer Pinion Bearing Kit	48	— ³	Splash Shield
10	42778	Slinger – Pinion Bearing Outer	49	— ²	Seal – Oil (Spindle)
11	42103	Seal – Pinion Oil	50	550759	Bearing Assy – Spindle
12	2-4-6901-1X	End Yoke or Assembly (inc 13)	51	— ²	Brake Dust Shield
13	42779	Slinger – End Yoke	52	— ²	Spindle
14	44189	Nut – Pinion	53	40107	Nut – Lock (qty 10)
15	36472	Plug – Fill	54	— ²	Seal – Oil
16	40326-1	Bolt – Diff Carrier	55	706110X	Inner Wheel Bearing
17	— ⁴	Cap – Differential Bearing	56	— ³	Hub & Rotor
18	40284-1	Bolt – Differential Bearing Cap	57	706110X	Outer Wheel Bearing
19	73139X	KIT – Diff Brg Adj Shim	58	74078X	Nut & Pin Assy (Manual Hub Lock)
20	706016X	Differential Bearing Kit	59	36569	Lkwshr-Whl Brg Nut(Man Hub Lock)
21	— ⁴	Case – Differential	60	43749	Nut-Spindle (Manual Hub Lock)
22	41221	Bolt – Drive Gear (qty 8)	61	— ²	Spacer-Axle Shaft
23	— ²	Gear – Differential (std)		— ²	T/washer Pkg.(Man/Auto Hub)
24	— ²	Pinion – Differential	62	42768	Snap Ring
25	38615	RTV Silicone Sealant	63	42767	Manual Hub Lock
26	— ²	Thrustwasher – Diff Pinion	64	— ³	Automatic Hub Lock
27	— ²	Thrustwasher – Diff Gear	65	42570	Snap Ring
28	— ²	Shaft – Differential	66	565977	Bearing
29	— ²	Pin – Roll	67	40773	Seal – Oil
30	40710	Seal – Oil	68	— ¹	Shaft & Slip Yoke Assy
31	40817-1	Bolt – Pinch	69	40930	Seal
32	40818	Nut – Lock	70	40540-4	Clamp – Keystone
33	— ⁵	Camber Bushing (LH)	71	40929	Boot – Rubber
34	— ²	Bolt – Pinch	72	40540-3	Clamp – Keystone
35	— ¹	Left Shaft & Joint Assembly	73	— ⁵	Camber Bushing (RH)
	— ²	KIT – Spindle Assy	74	— ²	Bolt – Pinch
	— ²	KIT – Spindle Seal & Bearing	75	— ¹	Right Shaft & Joint Assembly
	— ²	Assembly – Spindle	N.I.	— ²	Thrustwasher (Auto Hub Lock)
36	— ²	Slinger	N.I.	— ²	Whl. Brg. Rtnr. (Auto Hub Lock)
37	— ²	Seal – Oil	N.I.	— ²	Brg.Adj.Ring Lock (Auto Hub Lock)
38	— ²	Spacer – Wheel Bearing Spindle	N.I.	— ²	Wheel Nut (Automatic Hub Lock)
39	43671	Snap Ring		— ³	KIT – Sensor Hsg. (ABS Only)

N.I. = Not Illustrated

- 1 See “Bill of Material Table” on page 12
- 2 See “Variable Parts Table” on page 14
- 3 Contact Vehicle Manufacturer.
- 4 Not Sold Separately.
- 5 See Camber/Casting Bushing Table on page 203.

35 /194 IFS WITH CARDAN JOINTS FOR FORD

BILL OF MATERIAL TABLE

AXLE			AXLE KITS				SHAFT & JOINT ASSY.		
BILL OF MATERIAL	DIFF. TYPE	RATIO	RING GEAR & PINION KIT ⁶	DIFFERENTIAL			RIGHT HAND SHAFT ASSY.	LEFT HAND SHAFT ASSY.	SHAFT & SLIP YOKE ASSY.
				CASE ASSY. KIT ⁷	CASE KIT	INNER PARTS KIT			
1990 Ranger/Bronco II									
610300-1	Standard	3.73	707170-2X	708039	708008	707167X	73411-2X	73412-2X	73414-1X
610300-2	Standard	3.55	707170-1X	708039	708008	707167X	73411-2X	73412-2X	73414-1X
610300-3	Standard	3.73	707170-2X	708039	708008	707167X	73411-2X	73412-2X	73414-1X
610300-4	Standard	3.55	707170-1X	708039	708008	707167X	73411-2X	73412-2X	73414-1X
610300-5	Standard	4.10	707170-3X	708039	708008	707167X	73411-2X	73412-2X	73414-1X
610300-6	Standard	4.10	707170-3X	708039	708008	707167X	73411-2X	73412-2X	73414-1X
1990 1/2-92 1/2 Ranger/Bronco II									
610365-1	Standard	3.73	707170-2X	708039	708008	707167X	73411-2X	73412-2X	73414-1X
610365-2	Standard	3.55	707170-1X	708039	708008	707167X	73411-2X	73412-2X	73414-1X
610365-3	Standard	3.73	707170-2X	708039	708008	707167X	73411-2X	73412-2X	73414-1X
610365-4	Standard	3.55	707170-1X	708039	708008	707167X	73411-2X	73412-2X	73414-1X
610365-5	Standard	4.10	707170-3X	708039	708008	707167X	73411-2X	73412-2X	73414-1X
610365-6	Standard	4.10	707170-3X	708039	708008	707167X	73411-2X	73412-2X	73414-1X
610365-7	Standard	3.27	707170-4X	708039	708008	707167X	73411-2X	73412-2X	73414-1X
610365-8	Standard	3.27	707170-4X	708039	708008	707167X	73411-2X	73412-2X	73414-1X
610365-9	Standard	3.55	707170-1X	708039	708008	707167X	73411-2X	73412-2X	73414-1X
610365-10	Standard	3.73	707170-2X	708039	708008	707167X	73411-2X	73412-2X	73414-1X
610365-11	Standard	4.10	707170-3X	708039	708008	707167X	73411-2X	73412-2X	73414-1X
1990 1/2-92 1/2 Explorer									
610366-1	Standard	3.73	707170-2X	708039	708008	707167X	73411-2X	73412-2X	73414-1X
610366-2	Standard	3.55	707170-1X	708039	708008	707167X	73411-2X	73412-2X	73414-1X
610366-3	Standard	3.73	707170-2X	708039	708008	707167X	73411-2X	73412-2X	73414-1X
610366-4	Standard	3.55	707170-1X	708039	708008	707167X	73411-2X	73412-2X	73414-1X
610366-5	Standard	3.27	707170-4X	708039	708008	707167X	73411-2X	73412-2X	73414-1X
610366-6	Standard	3.27	707170-4X	708039	708008	707167X	73411-2X	73412-2X	73414-1X
610366-7	Standard	3.55	707170-1X	708039	708008	707167X	73411-2X	73412-2X	73414-1X
610366-8	Standard	3.73	707170-2X	708039	708008	707167X	73411-2X	73412-2X	73414-1X
1992 1/2 Ranger									
610436-1	Standard	3.27	707170-4X	708039	708008	707167X	73411-2X	73412-2X	73414-1X
610436-2	Standard	3.27	707170-4X	708039	708008	707167X	73411-2X	73412-2X	73414-1X
610436-3	Standard	3.55	707170-1X	708039	708008	707167X	73411-2X	73412-2X	73414-1X
610436-4	Standard	3.55	707170-1X	708039	708008	707167X	73411-2X	73412-2X	73414-1X
610436-5	Standard	3.73	707170-2X	708039	708008	707167X	73411-2X	73412-2X	73414-1X
610436-6	Standard	3.73	707170-2X	708039	708008	707167X	73411-2X	73412-2X	73414-1X
610436-7	Standard	4.10	707170-3X	708039	708008	707167X	73411-2X	73412-2X	73414-1X
610436-8	Standard	4.10	707170-3X	708039	708008	707167X	73411-2X	73412-2X	73414-1X

NOTE: All Ring & Pinion Kits with base number 707170 are reverse spiral bevel.

⁶ See Ring Gear & Pinion Kits in XGI Catalog for ratio & tooth combinations.

⁷ See Differential Case Assy Kits in XGI Catalog for spline data & ratios.

35 /194 IFS WITH CARDAN JOINTS FOR FORD

BILL OF MATERIAL TABLE

AXLE			AXLE KITS				SHAFT & JOINT ASSY.		
BILL OF MATERIAL	DIFF. TYPE	RATIO	RING GEAR & PINION KIT ⁶	DIFFERENTIAL			RIGHT HAND SHAFT ASSY.	LEFT HAND SHAFT ASSY.	SHAFT & SLIP YOKE ASSY.
				CASE ASSY. KIT ⁷	CASE KIT	INNER PARTS KIT			
1992 1/2 Explorer									
610437-1	Standard	3.27	707170-4X	708039	708008	707167X	73411-2X	73412-2X	73414-1X
610437-2	Standard	3.27	707170-4X	708039	708008	707167X	73411-2X	73412-2X	73414-1X
610437-3	Standard	3.55	707170-1X	708039	708008	707167X	73411-2X	73412-2X	73414-1X
610437-4	Standard	3.73	707170-2X	708039	708008	707167X	73411-2X	73412-2X	73414-1X
610437-5	Standard	3.73	707170-2X	708039	708008	707167X	73411-2X	73412-2X	73414-1X
1993-94 1/2 Explorer ABS									
610410-1	Standard	3.73	707170-2X	708039	708008	707167X	74931-1X	74932-1X	73414-1X
610410-2	Standard	3.73	707170-2X	708039	708008	707167X	74931-1X	74932-1X	73414-1X
610410-3	Standard	3.27	707170-4X	708039	708008	707167X	74931-1X	74932-1X	73414-1X
610410-4	Standard	3.27	707170-4X	708039	708008	707167X	74931-1X	74932-1X	73414-1X
610410-5	Standard	3.55	707170-1X	708039	708008	707167X	74931-1X	74932-1X	73414-1X
1993-94 1/2 Ranger									
610419-1	Standard	3.73	707170-2X	708039	708008	707167X	74931-1X	74932-1X	73414-1X
610419-2	Standard	3.27	707170-4X	708039	708008	707167X	74931-1X	74932-1X	73414-1X
610419-3	Standard	3.27	707170-4X	708039	708008	707167X	74931-1X	74932-1X	73414-1X
610419-4	Standard	3.73	707170-2X	708039	708008	707167X	74931-1X	74932-1X	73414-1X
610419-5	Standard	3.45	73402-5X	708039	708008	707167X	74931-1X	74932-1X	73414-1X
610419-6	Standard	3.45	73402-5X	708039	708008	707167X	74931-1X	74932-1X	73414-1X
1995-97 1/2 Ranger ABS									
610483-3	Standard	3.27	707170-4X	708039	708008	707167X	75240-1X	75241-1X	73414-1X
610483-4	Standard	3.27	707170-4X	708039	708008	707167X	75240-1X	75241-1X	73414-1X
610483-7	Standard	3.73	707170-2X	708039	708008	707167X	75240-1X	75241-1X	73414-1X
610483-8	Standard	3.73	707170-2X	708039	708008	707167X	75240-1X	75241-1X	73414-1X
610483-11	Standard	3.27	707170-4X	708039	708008	707167X	75240-1X	75241-1X	73414-1X
610483-12	Standard	3.73	707170-2X	708039	708008	707167X	75240-1X	75241-1X	73414-1X
1997-97 1/2 Ranger									
610652-1	Standard	3.27	707170-4X	707452X	707453X	707454X	75240-1X	75241-1X	73414-1X
610652-2	Standard	3.73	707170-2X	707452X	707453X	707454X	75240-1X	75241-1X	73414-1X
610652-3	Standard	3.27	707170-4X	707452X	707453X	707454X	75240-1X	75241-1X	73414-1X
610652-4	Standard	3.73	707170-2X	707452X	707453X	707454X	75240-1X	75241-1X	73414-1X

NOTE: All Ring & Pinion Kits with base number 707170 are reverse spiral bevel.

⁶ See Ring Gear & Pinion Kits in XGI Catalog for ratio & tooth combinations.

⁷ See Differential Case Assy Kits in XGI Catalog for spline data & ratios.

35 /194 IFS WITH CARDAN JOINTS FOR FORD VARIABLE PARTS TABLE

Kits & Parts - Use With All Applications							
Description & Item Number (Refer to "Exploded View" on page 10)			Bills of Material				
			610300	610365	610366	610410	610419
1	Gear – Differential (std)	23	42772	42772	42772	42772	42772
2	Pinion – Differential	24	43288	43288	43288	43288	43288
3	Thrustwasher – Diff Pinion	26	42077	42077	42077	42077	42077
4	Thrustwasher – Diff Gear	27	42078	42078	42078	42078	42078
5	Shaft – Differential	28	43220	43220	43220	43220	43220
6	Pin – Roll	29	43245	43245	43245	43245	43245
7	Bolt – Pinch	34	43672	43672	43672	46286	46286
8	KIT – Spindle Assy	-	707166X	707166X	707166X	707341X	—
9	KIT – Spindle Seal & Bearing	-	706971X	706971X	706971X	707316X	707316X
10	Assembly – Spindle	-	73608X	73608X	73608X	75294X	74930X
11	Slinger	36	36364	36364	36364	—	—
12	Seal – Oil	37	38128	38128	38128	50492	50492
13	Spacer – Wheel Bearing Spindle	38	38106	38106	38106	—	—
14	Pin – Cotter	41	500024-7	44500	44500	44500	44500
15	Seal – Oil (Spindle)	49	36361	36361	36361	45651	45651
16	Brake Dust Shield	51	42940	42940	42940	—	—
17	Spindle	52	43201	43201	43201	44608	44824
18	Seal – Oil	54	40709	40709	40709	40709	40709
19	Spacer-Axle Shaft	61	42773	42773	42773	42773	42773
20	T/washer Pkg.(Man/Auto Hub)	-	—	—	—	—	—
21	Bolt – Pinch	74	43672	43672	43672	46286	46286
22	Thrustwasher (Auto Hub Lock)	N.I.	43978	43978	43978	43978	43978
23	Whl. Brg. Rtnr. (Auto Hub Lock)	N.I.	42848	42848	42848	42848	42848
24	Brg.Adj.Ring Lock (Auto Hub Lock)	N.I.	42849	42849	42849	42849	42849
25	Wheel Nut (Automatic Hub Lock)	N.I.	42850	42850	42850	42850	42850

(See next page for additional bills of material)

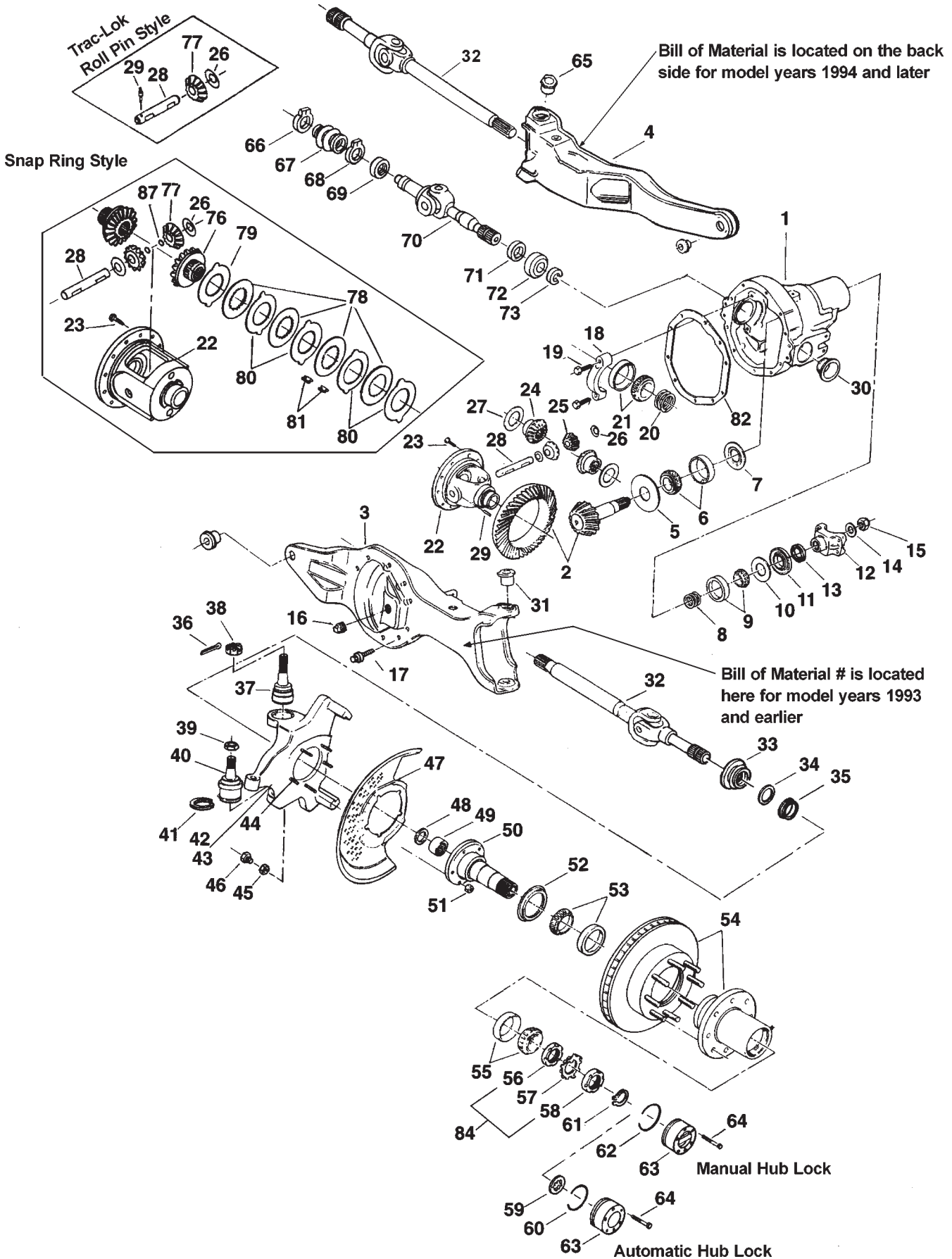
35 /194 IFS WITH CARDAN JOINTS FOR FORD VARIABLE PARTS TABLE

Kits & Parts - Use With All Applications						
Description & Item Number (Refer to "Exploded View" on page 10)			Bills of Material			
			610436	610437	610483	610652
1	Gear – Differential (std)	23	42772	42772	42772	46848
2	Pinion – Differential	24	43288	43288	43288	32926
3	Thrustwasher – Diff Pinion	26	42077	42077	42077	34096
4	Thrustwasher – Diff Gear	27	42078	42078	42078	34095
5	Shaft – Differential	28	43220	43220	43220	44690
6	Pin – Roll	29	43245	43245	43245	44811
7	Bolt – Pinch	34	43672	43672	46286	46286
8	KIT – Spindle Assy	-	707166X	707166X	—	—
9	KIT – Spindle Seal & Bearing	-	706971X	706971X	707355X	707355X
10	Assembly – Spindle	-	73608X	73608X	75294X	74930X
11	Slinger	36	36364	36364	—	—
12	Seal – Oil	37	38128	38128	50492	50492
13	Spacer – Wheel Bearing Spindle	38	38106	38106	—	—
14	Pin – Cotter	41	44500	44500	44500	44500
15	Seal – Oil (Spindle)	49	36361	36361	45651	45651
16	Brake Dust Shield	51	42940	42940	46197	46197
17	Spindle	52	43201	43201	44608	44824
18	Seal – Oil	54	40709	40709	76137X	76137X
19	Spacer-Axle Shaft	61	42773	42773	—	—
20	T/washer Pkg.(Man/Auto Hub)	-	—	—	701128X	701128X
21	Bolt – Pinch	74	43672	43672	46286	46286
22	Thrustwasher (Auto Hub Lock)	N.I.	43978	43978	—	—
23	Whl. Brg. Rtnr. (Auto Hub Lock)	N.I.	42848	42848	—	—
24	Brg.Adj.Ring Lock (Auto Hub Lock)	N.I.	42849	42849	42849	—
25	Wheel Nut (Automatic Hub Lock)	N.I.	42850	42950	42850	—

NOTES

**MODEL 44 /216 IFS
FRONT AXLES for
BRONCO, BRONCO II, F-150,
F-250, F-350 & RANGER**

44 /216 IFS FRONT EXPLODED VIEW



MODEL 44 /216 IFS FRONT AXLES FOR FORD PARTS LISTING

ITEM NO.	PART NUMBER	DESCRIPTION	ITEM NO.	PART NUMBER	DESCRIPTION
1	— ³	Housing – Axle Service	35	— ²	Spacer – Wheel Bearing Spindle
2	— ¹	Ring Gear & Pinion Kit		700083-1X	KIT – Socket Assy (36,37,38,39,40,41, also includes 43579 camber bushing)
3	— ³	LH Support Arm Assembly			
4	— ³	RH Support Arm Assembly			
5	— ²	Slinger Shim – Pinion Bearing Inner (See Kits – 707238X & 707236X)	36	500024-8	Pin – Cotter
	707238X	KIT – Pinion Bearing Shim (inc 5, 8, 14, 15, 73, 82)	37	47184	Socket – Upper
	707236X	KIT – Diff & Pinion Shim (inc 5, 8, 14, 15, 20, 73, 82)	38	44101	Nut – Upper
6	— ²	Inner Pinion Bearing Kit	39	35566	Nut – Lower
7	— ²	Baffle – Pinion Bearing	40	47182	Socket – Lower
8	— ⁴	Outer Pinion Adj Shims (See Kits – 707238X & 707236X)	41	35928	Snap Ring
9	706030X	Outer Pinion Bearing Kit	42	— ³	Right Knuckle
10	13575	Slinger – Outer Pinion	43	— ³	Left Knuckle
11	40793	Seal – Pinion Oil	44	— ²	Bolt – Hex
12	2-4-6111X	End Yoke or Assembly (inc 13)	45	— ²	Nut
13	41498	Slinger – End Yoke	46	— ²	Screw – Stop
14	30186	Washer – Pinion Nut	47	— ³	Dust Shield
15	30185	Nut – Pinion	48	— ²	Seal – Needle Bearing
16	36472	Plug – Oil Fill	49	550759	Needle Bearing – Spindle
17	620631	Bolt – Carrier	50	— ²	Spindle
18	— ⁴	Cap – Diff Bearing		— ²	KIT – Spindle Seal & Bearing (34, 35, 48, 49)
19	48632-1	Screw – Diff Bearing Cap	51	— ²	KIT – Spindle (33,34,35,48,49,50)
20	706928X	KIT – Diff Brg Adj Shim	52	— ²	Assembly – Spindle (48,49,50)
21	706032X	Diff Bearing Kit	53	— ²	Nut – Lock (qty 10)
22	— ⁴	Case – Differential	54	— ³	Seal – Oil
23	41221	Bolt – Drive Gear	55	706111X	Inner Wheel Bearing
24	— ²	Gear – Differential (STD)	56	— ²	Hub & Rotor
25	17717	Pinion – Differential (STD)	57	— ²	Outer Wheel Bearing
26	13338-3	Thrustwasher-Diff Pinion (STD & T/L)	58	— ²	Nut & Pin Assembly
27	— ²	Thrustwasher – Diff Gear (STD)	59	— ²	Lockwasher
28	39194	Shaft – Differential (STD & T/L)	60	— ²	Spindle Nut
29	13449	Lock-Differential Shaft (STD & T/L)	61	— ²	Axle Shaft Retainer
30	40710	Seal – Oil	62	— ²	Snap Ring
31	— ⁵	Camber Bushing (LH)	63	— ³	Snap Ring
32	— ¹	Shaft & Joint Assembly	64	— ²	Snap Ring
33	— ²	Slinger	65	— ⁵	Hub Lock
34	— ²	Seal – Oil	66	40540-4	Screw – Socket Head (Hub Lok)
			67	40929	Camber Bushing (RH)
			68	40540-3	Clamp – Keystone
					Boot – Rubber
					Clamp – Keystone

1 See “Bill of Material Table” on page 21

2 See “Variable Parts Table” on page 29

3 Contact Vehicle Manufacturer.

4 Not Sold Separately.

5 See Camber/Casting Bushing Table on page 203.

MODEL 44 /216 IFS FRONT AXLES FOR FORD PARTS LISTING

N.I. = Not Illustrated

ITEM NO.	PART NUMBER	DESCRIPTION
69	40930	Oil Seal
70	— ¹	Shaft & Slip Yoke Assembly
	— ²	KIT – Unit Bearing & Seal (inc 71, 72, 73)
71	— ²	Seal – Oil
72	— ²	Bearing
73	42570	Snap Ring
		The following two parts were used in vehicles 1982 or earlier.
N.I.	—	Retainer – Oil Seal
N.I.	—	Retainer – Brg Ring
76	— ²	Gear – Differential (T/L)
77	32808	Pinion – Differential (T/L)
	706352X	KIT – Diff Plate & Disc (inc 78, 79, 80, 81)
78	— ⁴	Disc – Differential
79	— ⁴	Plate – Differential
80	— ⁴	Plate – Differential Pressure
81	40835	Clip – Diff Clutch Retainer
82	34685	Gasket
83	38615	RTV Silicone Sealant
84	— ²	Wheel Brg Retainer Assy
N.I.	— ²	Washer Pkg.
N.I.	— ³	Sensor Housing Kit (ABS Only)
87	— ⁶	Snap Ring Style Trac-Loc

¹ See “Bill of Material Table” on page 21

² See “Variable Parts Table” on page 29

³ Contact Vehicle Manufacturer.

⁴ Not Sold Separately.

⁶ Some Trac Lok applications may have used 2 snap rings (35660) instead of 1 differential shaft lock (13449).

MODEL 44 /216 IFS FRONT AXLES FOR FORD

BILL OF MATERIAL TABLE

AXLE			AXLE KITS				SHAFT & JOINT ASSY.		
BILL OF MATERIAL	DIFF. TYPE	RATIO	RING GEAR & PINION KIT ⁷	DIFFERENTIAL			RIGHT HAND SHAFT ASSY.	LEFT HAND SHAFT ASSY.	SHAFT & SLIP YOKE ASSY.
				CASE ASSY. KIT ⁸	CASE KIT	INNER PARTS KIT			
1980 Bronco II & F-150 Pick-Up with Part Time Transfer Case									
610062-1	Standard	3.00	707240-2X	706020X	706024X	706027X	72044-1X	71394-1X	71432-1X
610062-2	Standard	3.00	707240-2X	706020X	706024X	706027X	72044-1X	71394-1X	71432-1X
610062-3	Standard	3.50	707240-5X	706020X	706024X	706027X	72044-1X	71394-1X	71432-1X
610062-4	Standard	3.50	707240-5X	706020X	706024X	706027X	72044-1X	71394-1X	71432-1X
610062-5	Trac Lok	3.50	707240-5X	707115X	707116X	706026X	72044-1X	71394-1X	71432-1X
610062-6	Trac Lok	3.50	707240-5X	707115X	707116X	706026X	72044-1X	71394-1X	71432-1X
610062-7	Standard	3.00	707240-2X	706020X	706024X	706027X	72044-1X	71394-1X	71432-1X
610062-8	Standard	3.00	707240-2X	706020X	706024X	706027X	72044-1X	71394-1X	71432-1X
610062-9	Standard	3.50	707240-5X	706020X	706024X	706027X	72044-1X	71394-1X	71432-1X
610062-10	Standard	3.50	707240-5X	706020X	706024X	706027X	72044-1X	71394-1X	71432-1X
610062-11	Trac Lok	3.50	707240-5X	707115X	707116X	706026X	72044-1X	71394-1X	71432-1X
610062-12	Trac Lok	3.50	707240-5X	707115X	707116X	706026X	72044-1X	71394-1X	71432-1X
610062-13	Standard	3.00	707240-2X	706020X	706024X	706027X	72044-1X	71394-1X	71432-1X
610062-14	Standard	3.00	707240-2X	706020X	706024X	706027X	72044-1X	71394-1X	71432-1X
610062-15	Standard	3.50	707240-5X	706020X	706024X	706027X	72044-1X	71394-1X	71432-1X
610062-16	Standard	3.50	707240-5X	706020X	706024X	706027X	72044-1X	71394-1X	71432-1X
610062-17	Trac Lok	3.50	707240-5X	707115X	707116X	706026X	72044-1X	71394-1X	71432-1X
610062-18	Trac Lok	3.50	707240-5X	707115X	707116X	706026X	72044-1X	71394-1X	71432-1X
610062-19	Standard	3.00	707240-2X	706020X	706024X	706027X	72044-1X	71394-1X	71432-1X
1980 F-250 3/4-Ton Pick-Up (Part Time Transfer Case)									
610063-1	Standard	3.54	707240-6X	706020X	706024X	706027X	71395-1X	71396-1X	660396-1
610063-2	Standard	3.54	707240-6X	706020X	706024X	706027X	71395-1X	71396-1X	660396-1
610063-3	Trac Lok	3.54	707240-6X	707115X	707116X	706026X	71395-1X	71396-1X	660396-1
610063-4	Trac Lok	3.54	707240-6X	707115X	707116X	706026X	71395-1X	71396-1X	660396-1
610063-5	Standard	4.09	707240-9X	706021X	706025X	706027X	71395-1X	71396-1X	660396-1
610063-6	Standard	3.54	707240-6X	706020X	706024X	706027X	71395-1X	71396-1X	660396-1
1981 F-250 & F-350 HD									
610146-1	Standard	3.00	707240-2X	706020X	706024X	706027X	72045-1X	71396-1X	660396-1
610146-2	Trac Lok	3.00	707240-2X	707115X	707116X	706026X	72045-1X	71396-1X	660396-1
610146-3	Standard	3.54	707240-6X	706020X	706024X	706027X	72045-1X	71396-1X	660396-1
610146-4	Trac Lok	3.54	707240-6X	707115X	707116X	706026X	72045-1X	71396-1X	660396-1
610146-5	Standard	3.00	707240-2X	706020X	706024X	706027X	72045-1X	71396-1X	660396-1
610146-6	Standard	3.54	707240-6X	706020X	706024X	706027X	72045-1X	71396-1X	660396-1
610146-7	Standard	3.54	707240-6X	706020X	706024X	706027X	72045-1X	71396-1X	660396-1
610146-8	Standard	4.09	707240-9X	706021X	706025X	706027X	72045-1X	71396-1X	660396-1
610146-9	Trac Lok	3.54	707240-6X	707115X	707116X	706026X	72045-1X	71396-1X	660396-1

⁷ See Ring Gear & Pinion Kits in XGI Catalog for ratio & tooth combinations.

⁸ See Differential Case Assy Kits in XGI Catalog for spline data & ratios.

MODEL 44 /216 IFS FRONT AXLES FOR FORD

BILL OF MATERIAL TABLE

AXLE			AXLE KITS				SHAFT & JOINT ASSY.		
BILL OF MATERIAL	DIFF. TYPE	RATIO	RING GEAR & PINION KIT ⁷	DIFFERENTIAL			RIGHT HAND SHAFT ASSY.	LEFT HAND SHAFT ASSY.	SHAFT & SLIP YOKE ASSY.
				CASE ASSY. KIT ⁸	CASE KIT	INNER PARTS KIT			
1981-82 Bronco II & F-150									
610185-1	Standard	3.00	707240-2X	706020X	706024X	706027X	72044-1X	71394-1X	71432-1X
610185-2	Standard	3.00	707240-2X	706020X	706024X	706027X	72044-1X	71394-1X	71432-1X
610185-3	Standard	3.50	707240-5X	706020X	706024X	706027X	72044-1X	71394-1X	71432-1X
610185-4	Standard	3.50	707240-5X	706020X	706024X	706027X	72044-1X	71394-1X	71432-1X
610185-5	Trac Lok	3.50	707240-5X	707115X	707116X	706026X	72044-1X	71394-1X	71432-1X
610185-6	Trac Lok	3.50	707240-5X	707115X	707116X	706026X	72044-1X	71394-1X	71432-1X
610185-7	Standard	3.50	707240-5X	706020X	706024X	706027X	72044-1X	71394-1X	71432-1X
610185-8	Standard	3.00	707240-2X	706020X	706024X	706027X	72044-1X	71394-1X	71432-1X
610185-9	Standard	3.00	707240-2X	706020X	706024X	706027X	72044-1X	71394-1X	71432-1X
610185-10	Standard	3.50	707240-5X	706020X	706024X	706027X	72044-1X	71394-1X	71432-1X
610185-11	Standard	3.50	707240-5X	706020X	706024X	706027X	72044-1X	71394-1X	71432-1X
610185-12	Trac Lok	3.50	707240-5X	707115X	707116X	706026X	72044-1X	71394-1X	71432-1X
610185-13	Standard	3.50	707240-5X	706020X	706024X	706027X	72044-1X	71394-1X	71432-1X
610185-14	Standard	3.07	707240-3X	706020X	706024X	706027X	72044-1X	71394-1X	71432-1X
610185-15	Standard	3.07	707240-3X	706020X	706024X	706027X	72044-1X	71394-1X	71432-1X
610185-16	Trac Lok	3.54	707240-6X	707115X	707116X	706026X	72044-1X	71394-1X	71432-1X
610185-17	Standard	3.54	707240-6X	706020X	706024X	706027X	72044-1X	71394-1X	71432-1X
610185-18	Standard	3.54	707240-6X	706020X	706024X	706027X	72044-1X	71394-1X	71432-1X
1981 1/2-82 F-150 Snow Plow									
610166-1	Standard	3.50	707240-5X	706020X	706024X	706027X	72044-1X	71394-1X	71432-1X
610166-2	Standard	3.50	707240-5X	706020X	706024X	706027X	72044-1X	71394-1X	71432-1X
610166-3	Trac Lok	3.00	707240-2X	707115X	707116X	706026X	72044-1X	71394-1X	71432-1X
1983 F-150 Snow Plow									
610167-2	Standard	3.50	707240-5X	706921X	706923X	706925X	72044-1X	71394-1X	71735-1X
610167-4	Standard	3.54	707240-6X	706921X	706923X	706925X	72044-1X	71394-1X	71735-1X
1983 Bronco & F-150									
610168-1	Standard	3.00	707240-2X	706921X	706923X	706925X	72044-1X	71394-1X	71735-1X
610168-2	Standard	3.50	707240-5X	706921X	706923X	706925X	72044-1X	71394-1X	71735-1X
610168-3	Trac Lok	3.50	707240-5X	707147X	707148X	706926X	72044-1X	71394-1X	71735-1X
610168-4	Standard	3.00	707240-2X	706921X	706923X	706925X	72044-1X	71394-1X	71735-1X
610168-5	Standard	3.00	707240-2X	706921X	706923X	706925X	72044-1X	71394-1X	71735-1X
610168-6	Standard	3.50	707240-5X	706921X	706923X	706925X	72044-1X	71394-1X	71735-1X
610168-7	Standard	3.50	707240-5X	706921X	706923X	706925X	72044-1X	71394-1X	71735-1X
610168-8	Trac Lok	3.50	707240-5X	707147X	707148X	706926X	72044-1X	71394-1X	71735-1X
610168-9	Standard	3.07	707240-3X	706921X	706923X	706925X	72044-1X	71394-1X	71735-1X
610168-10	Standard	3.07	707240-3X	706921X	706923X	706925X	72044-1X	71394-1X	71735-1X
610168-11	Trac Lok	3.54	707240-6X	707147X	707148X	706926X	72044-1X	71394-1X	71735-1X
610168-12	Standard	3.54	707240-6X	706921X	706923X	706925X	72044-1X	71394-1X	71735-1X
610168-13	Standard	3.54	707240-6X	706921X	706923X	706925X	72044-1X	71394-1X	71735-1X

⁷ See Ring Gear & Pinion Kits in XGI Catalog for ratio & tooth combinations.

⁸ See Differential Case Assy Kits in XGI Catalog for spline data & ratios.

MODEL 44 /216 IFS FRONT AXLES FOR FORD

BILL OF MATERIAL TABLE

AXLE			AXLE KITS				SHAFT & JOINT ASSY.		
BILL OF MATERIAL	DIFF. TYPE	RATIO	RING GEAR & PINION KIT ⁷	DIFFERENTIAL			RIGHT HAND SHAFT ASSY.	LEFT HAND SHAFT ASSY.	SHAFT & SLIP YOKE ASSY.
				CASE ASSY. KIT ⁸	CASE KIT	INNER PARTS KIT			
1983 F-250 & F-350 HD									
610169-1	Standard	3.00	707240-2X	706921X	706923X	706925X	72045-1X	71396-1X	71739-1X
610169-2	Standard	3.54	707240-6X	706921X	706923X	706925X	72045-1X	71396-1X	71739-1X
610169-3	Standard	3.00	707240-2X	706921X	706923X	706925X	72045-1X	71396-1X	71739-1X
610169-4	Standard	3.54	707240-6X	706921X	706923X	706925X	72045-1X	71396-1X	71739-1X
610169-5	Standard	3.54	707240-6X	706921X	706923X	706925X	72045-1X	71396-1X	71739-1X
610169-6	Standard	4.09	707240-9X	706945X	706947X	706925X	72045-1X	71396-1X	71739-1X
610169-7	Trac Lok	3.54	707240-6X	707147X	707148X	706926X	72045-1X	71396-1X	71739-1X
1984 F-150 Snow Plow									
610177-1	Standard	3.54	707240-6X	706921X	706923X	706925X	72044-1X	71394-1X	72041-1X
610177-4	Standard	3.54	707240-6X	706921X	706923X	706925X	72044-1X	71394-1X	72041-1X
1984 Bronco & F-150									
610178-1	Standard	3.07	707240-3X	706921X	706923X	706925X	72044-1X	71394-1X	72041-1X
610178-2	Standard	3.07	707240-3X	706921X	706923X	706925X	72044-1X	71394-1X	72041-1X
610178-3	Trac Lok	3.54	707240-6X	707147X	707148X	706926X	72044-1X	71394-1X	72041-1X
610178-4	Standard	3.54	707240-6X	706921X	706923X	706925X	72044-1X	71394-1X	72041-1X
610178-5	Standard	3.54	707240-6X	706921X	706923X	706925X	72044-1X	71394-1X	72041-1X
610178-9	Standard	3.07	707240-3X	706921X	706923X	706925X	72044-1X	71394-1X	72041-1X
610178-10	Standard	3.07	707240-3X	706921X	706923X	706925X	72044-1X	71394-1X	72041-1X
610178-11	Trac Lok	3.54	707240-6X	707147X	707148X	706926X	72044-1X	71394-1X	72041-1X
610178-12	Trac Lok	3.54	707240-6X	707147X	707148X	706926X	72044-1X	71394-1X	72041-1X
610178-13	Trac Lok	3.54	707240-6X	707147X	707148X	706926X	72044-1X	71394-1X	72041-1X
1984 F-250 & F-350 HD									
610179-1	Standard	3.54	707240-6X	706921X	706923X	706925X	72045-1X	71396-1X	72041-1X
610179-2	Standard	3.54	707240-6X	706921X	706923X	706925X	72045-1X	71396-1X	72041-1X
610179-3	Standard	3.54	707240-6X	706921X	706923X	706925X	72045-1X	71396-1X	72041-1X
610179-4	Standard	3.54	707240-6X	706921X	706923X	706925X	72045-1X	71396-1X	72041-1X
610179-5	Standard	3.54	707240-6X	706921X	706923X	706925X	72045-1X	71396-1X	72041-1X
610179-6	Standard	4.09	707240-9X	706945X	706947X	706925X	72045-1X	71396-1X	72041-1X
610179-7	Trac Lok	3.54	707240-6X	707147X	707148X	706926X	72045-1X	71396-1X	72041-1X
610179-8	Trac Lok	3.54	707240-6X	707147X	707148X	706926X	72045-1X	71396-1X	72041-1X
1984 1/2-85 F-150 Snow Plow									
610197-1	Standard	3.54	707240-6X	706921X	706923X	706925X	72044-1X	71394-1X	72041-1X
610197-4	Standard	3.54	707240-6X	706921X	706923X	706925X	72044-1X	71394-1X	72041-1X
610197-5	Standard	3.50	707240-5X	706921X	706923X	706925X	72044-1X	71394-1X	72041-1X

⁷ See Ring Gear & Pinion Kits in XGI Catalog for ratio & tooth combinations.

⁸ See Differential Case Assy Kits in XGI Catalog for spline data & ratios.

MODEL 44 /216 IFS FRONT AXLES FOR FORD

BILL OF MATERIAL TABLE

AXLE			AXLE KITS				SHAFT & JOINT ASSY.		
BILL OF MATERIAL	DIFF. TYPE	RATIO	RING GEAR & PINION KIT ⁷	DIFFERENTIAL			RIGHT HAND SHAFT ASSY.	LEFT HAND SHAFT ASSY.	SHAFT & SLIP YOKE ASSY.
				CASE ASSY. KIT ⁸	CASE KIT	INNER PARTS KIT			
1984 1/2-85 Bronco & F-150									
610198-1	Standard	3.07	707240-3X	706921X	706923X	706925X	72044-1X	71394-1X	72041-1X
610198-2	Standard	3.07	707240-3X	706921X	706923X	706925X	72044-1X	71394-1X	72041-1X
610198-3	Trac Lok	3.54	707240-6X	707147X	707148X	706926X	72044-1X	71394-1X	72041-1X
610198-4	Standard	3.54	707240-6X	706921X	706923X	706925X	72044-1X	71394-1X	72041-1X
610198-5	Standard	3.54	707240-6X	706921X	706923X	706925X	72044-1X	71394-1X	72041-1X
610198-9	Standard	3.07	707240-3X	706921X	706923X	706925X	72044-1X	71394-1X	72041-1X
610198-10	Standard	3.07	707240-3X	706921X	706923X	706925X	72044-1X	71394-1X	72041-1X
610198-11	Trac Lok	3.54	707240-6X	707147X	707148X	706926X	72044-1X	71394-1X	72041-1X
610198-12	Standard	3.54	707240-6X	706921X	706923X	706925X	72044-1X	71394-1X	72041-1X
610198-13	Standard	3.54	707240-6X	706921X	706923X	706925X	72044-1X	71394-1X	72041-1X
610198-14	Standard	3.50	707240-5X	706921X	706923X	706925X	72044-1X	71394-1X	72041-1X
610198-15	Standard	3.50	707240-5X	706921X	706923X	706925X	72044-1X	71394-1X	72041-1X
610198-16	Trac Lok	3.50	707240-5X	707147X	707148X	706926X	72044-1X	71394-1X	72041-1X
610198-17	Standard	4.09	707240-9X	706945X	706947X	706925X	72044-1X	71394-1X	72041-1X
610198-18	Trac Lok	4.09	707240-9X	707199X	707193X	706926X	72044-1X	71394-1X	72041-1X
1984 1/2-85 F-250									
610199-1	Standard	3.54	707240-6X	706921X	706923X	706925X	72045-1X	71396-1X	72041-1X
610199-2	Standard	3.54	707240-6X	706921X	706923X	706925X	72045-1X	71396-1X	72041-1X
610199-3	Standard	3.54	707240-6X	706921X	706923X	706925X	72045-1X	71396-1X	72041-1X
610199-4	Standard	3.54	707240-6X	706921X	706923X	706925X	72045-1X	71396-1X	72041-1X
610199-5	Standard	3.54	707240-6X	706921X	706923X	706925X	72045-1X	71396-1X	72041-1X
610199-6	Standard	4.09	707240-9X	706945X	706947X	706925X	72045-1X	71396-1X	72041-1X
610199-7	Trac Lok	3.54	707240-6X	707147X	707148X	706926X	72045-1X	71396-1X	72041-1X
610199-8	Standard	4.09	707240-9X	706945X	706947X	706925X	72045-1X	71396-1X	72041-1X
610199-9	Trac Lok	4.09	707240-9X	707199X	707193X	706926X	72045-1X	71396-1X	72041-1X
610199-10	Trac Lok	4.09	707240-9X	707199X	707193X	706926X	72045-1X	71396-1X	72041-1X
1985 F-250									
610229-1	Standard	3.54	707240-6X	706921X	706923X	706925X	72045-1X	71396-1X	72041-1X
610229-2	Standard	3.54	707240-6X	706921X	706923X	706925X	72045-1X	71396-1X	72041-1X
610229-3	Standard	3.54	707240-9X	706945X	706947X	706925X	72045-1X	71396-1X	72041-1X
610229-4	Trac Lok	3.54	707240-6X	707147X	707148X	706926X	72045-1X	71396-1X	72041-1X
610229-5	Standard	4.09	707240-9X	706945X	706947X	706925X	72045-1X	71396-1X	72041-1X
610229-6	Trac Lok	4.09	707240-9X	707199X	707193X	706926X	72045-1X	71396-1X	72041-1X
1985 F-250 & F-350 HD									
610231-1	Standard	3.54	707240-6X	706921X	706923X	706925X	72045-1X	71396-1X	72041-1X
610231-2	Standard	3.54	707240-6X	706921X	706923X	706925X	72045-1X	71396-1X	72041-1X
610231-3	Standard	4.09	707240-9X	706945X	706947X	706925X	72045-1X	71396-1X	72041-1X
610231-4	Trac Lok	3.54	707240-6X	707147X	707148X	706926X	72045-1X	71396-1X	72041-1X
610231-5	Standard	4.09	707240-9X	706945X	706947X	706925X	72045-1X	71396-1X	72041-1X
610231-6	Trac Lok	4.09	707240-9X	707199X	707193X	706926X	72045-1X	71396-1X	72041-1X

⁷ See Ring Gear & Pinion Kits in XGI Catalog for ratio & tooth combinations.

⁸ See Differential Case Assy Kits in XGI Catalog for spline data & ratios.

MODEL 44 /216 IFS FRONT AXLES FOR FORD

BILL OF MATERIAL TABLE

AXLE			AXLE KITS				SHAFT & JOINT ASSY.		
BILL OF MATERIAL	DIFF. TYPE	RATIO	RING GEAR & PINION KIT ⁷	DIFFERENTIAL			RIGHT HAND SHAFT ASSY.	LEFT HAND SHAFT ASSY.	SHAFT & SLIP YOKE ASSY.
				CASE ASSY. KIT ⁸	CASE KIT	INNER PARTS KIT			
1985 1/2 Bronco & F-150									
610241-1	Standard	3.07	707240-3X	706921X	706923X	706925X	72044-1X	71394-1X	72041-1X
610241-2	Trac Lok	3.54	707240-6X	707147X	707148X	706926X	72044-1X	71394-1X	72041-1X
610241-3	Standard	3.54	707240-6X	706921X	706923X	706925X	72044-1X	71394-1X	72041-1X
610241-4	Standard	3.50	707240-5X	706921X	706923X	706925X	72044-1X	71394-1X	72041-1X
610241-5	Trac Lok	3.50	707240-5X	707147X	707148X	706926X	72044-1X	71394-1X	72041-1X
610241-6	Standard	4.09	707240-9X	706945X	706947X	706925X	72044-1X	71394-1X	72041-1X
610241-7	Trac Lok	4.09	707240-9X	707199X	706982X	706926X	72044-1X	71394-1X	72041-1X
1985 1/2 F-150 Snow Plow									
610242-1	Standard	3.54	707240-6X	706921X	706923X	706925X	72044-1X	71394-1X	72041-1X
610242-2	Standard	3.50	707240-5X	706921X	706923X	706925X	72044-1X	71394-1X	72041-1X
1985 1/2 F-250									
610243-1	Standard	3.54	707240-6X	706921X	706923X	706925X	72045-1X	71396-1X	72041-1X
610243-2	Standard	3.54	707240-6X	706921X	706923X	706925X	72045-1X	71396-1X	72041-1X
610243-3	Standard	4.09	707240-9X	706945X	706947X	706925X	72045-1X	71396-1X	72041-1X
610243-4	Trac Lok	3.54	707240-6X	707147X	707148X	706926X	72045-1X	71396-1X	72041-1X
610243-5	Standard	4.09	707240-9X	706945X	706947X	706925X	72045-1X	71396-1X	72041-1X
610243-6	Trac Lok	4.09	707240-9X	707199X	706982X	706926X	72045-1X	71396-1X	72041-1X
1986 Bronco & F-150									
610261-1	Standard	3.07	707240-3X	706921X	706923X	706925X	72044-1X	71394-1X	72041-1X
610261-2	Standard	3.54	707240-6X	706921X	706923X	706925X	72044-1X	71394-1X	72041-1X
610261-3	Standard	3.50	707240-5X	706921X	706923X	706925X	72044-1X	71394-1X	72041-1X
610262-1	Standard	3.07	707240-3X	706921X	706923X	706925X	72044-1X	71394-1X	72041-1X
610262-2	Trac Lok	3.54	707240-6X	707147X	707148X	706926X	72044-1X	71394-1X	72041-1X
610262-3	Standard	3.54	707240-6X	706921X	706923X	706925X	72044-1X	71394-1X	72041-1X
610262-4	Standard	3.50	707240-5X	706921X	706923X	706925X	72044-1X	71394-1X	72041-1X
610262-5	Trac Lok	3.50	707240-5X	707147X	707148X	706926X	72044-1X	71394-1X	72041-1X
610262-6	Standard	4.09	707240-9X	706945X	706947X	706925X	72044-1X	71394-1X	72041-1X
610262-7	Trac Lok	4.09	707240-9X	707199X	706982X	706926X	72044-1X	71394-1X	72041-1X
1986 F-150 Snow Plow									
610263-1	Standard	3.54	707240-6X	706921X	706923X	706925X	72044-1X	71394-1X	72041-1X
610263-2	Standard	3.50	707240-5X	706921X	706923X	706925X	72044-1X	71394-1X	72041-1X

⁷ See Ring Gear & Pinion Kits in XGI Catalog for ratio & tooth combinations.

⁸ See Differential Case Assy Kits in XGI Catalog for spline data & ratios.

MODEL 44 /216 IFS FRONT AXLES FOR FORD

BILL OF MATERIAL TABLE

AXLE			AXLE KITS				SHAFT & JOINT ASSY.		
BILL OF MATERIAL	DIFF. TYPE	RATIO	RING GEAR & PINION KIT ⁷	DIFFERENTIAL			RIGHT HAND SHAFT ASSY.	LEFT HAND SHAFT ASSY.	SHAFT & SLIP YOKE ASSY.
				CASE ASSY. KIT ⁸	CASE KIT	INNER PARTS KIT			
1986-87 F-250									
610264-1	Standard	3.54	707240-6X	706921X	706923X	706925X	72045-1X	71396-1X	72041-1X
610264-2	Standard	3.54	707240-6X	706921X	706923X	706925X	72045-1X	71396-1X	72041-1X
610264-3	Standard	4.09	707240-9X	706945X	706947X	706925X	72045-1X	71396-1X	72041-1X
610264-4	Trac Lok	3.54	707240-6X	707147X	707148X	706926X	72045-1X	71396-1X	72041-1X
610264-5	Standard	4.09	707240-9X	706945X	706947X	706925X	72045-1X	71396-1X	72041-1X
610264-6	Trac Lok	4.09	707240-9X	707199X	707193X	706926X	72045-1X	71396-1X	72041-1X
1987-88 F-150 Snow Plow									
610266-1	Standard	3.54	707240-6X	706921X	706923X	706925X	73111-1X	73112-1X	72041-1X
610266-2	Standard	3.50	707240-5X	706921X	706923X	706925X	73111-1X	73112-1X	72041-1X
1987-88 Bronco & F-150									
610267-1	Standard	3.07	707240-3X	706921X	706923X	706925X	73111-1X	73112-1X	72041-1X
610267-2	Trac Lok	3.54	707240-6X	707147X	707148X	706926X	73111-1X	73112-1X	72041-1X
610267-3	Standard	3.54	707240-6X	706921X	706923X	706925X	73111-1X	73112-1X	72041-1X
610267-4	Standard	3.50	706920-5X	706921X	706923X	706925X	73111-1X	73112-1X	72041-1X
610267-6	Standard	4.09	707240-9X	706945X	706947X	706925X	73111-1X	73112-1X	72041-1X
610268-1	Standard	3.07	707240-3X	706921X	706923X	706925X	72044-1X	71394-1X	72041-1X
610268-2	Standard	3.54	707240-6X	706921X	706923X	706925X	72044-1X	71394-1X	72041-1X
1988 F-250									
610306-1	Standard	3.54	707240-6X	706921X	706923X	706925X	72045-1X	71396-1X	72041-1X
610306-2	Standard	4.09	707240-9X	706945X	706947X	706925X	72045-1X	71396-1X	72041-1X
1988 1/2 F-150 Snow Plow, Bronco									
610309-1	Standard	3.07	707240-3X	706921X	706923X	706925X	73111-1X	73112-1X	72041-1X
610309-2	Trac Lok	3.54	707240-6X	707147X	707148X	707149X	73111-1X	73112-1X	72041-1X
610309-3	Standard	3.54	707240-6X	706921X	706923X	706925X	73111-1X	73112-1X	72041-1X
610309-4	Standard	4.09	707240-9X	706945X	706947X	706925X	73111-1X	73112-1X	72041-1X
1988 1/2-91 Bronco & F-150									
610311-1	Standard	3.54	707240-6X	706921X	706923X	706925X	72045-1X	71396-1X	72041-1X
610311-2	Standard	4.09	707240-9X	706945X	706947X	706925X	72045-1X	71396-1X	72041-1X
1988 1/2-92 Bronco & F-150									
610310-1	Standard	3.07	707240-3X	706921X	706923X	706925X	72044-1X	71394-1X	72041-1X
610310-2	Standard	3.54	707240-6X	706921X	706923X	706925X	72044-1X	71394-1X	72041-1X
610335-1	Standard	3.07	707240-3X	706921X	706923X	706925X	72044-1X	71394-1X	72041-1X
610335-2	Trac Lok	3.54	707240-6X	707147X	707148X	707149X	72044-1X	71394-1X	72041-1X
610335-3	Standard	3.54	707240-6X	706921X	706923X	706925X	72044-1X	71394-1X	72041-1X
610335-4	Standard	4.09	707240-9X	706945X	706947X	706925X	72044-1X	71394-1X	72041-1X

⁷ See Ring Gear & Pinion Kits in XGI Catalog for ratio & tooth combinations.

⁸ See Differential Case Assy Kits in XGI Catalog for spline data & ratios.

MODEL 44 /216 IFS FRONT AXLES FOR FORD

BILL OF MATERIAL TABLE

AXLE			AXLE KITS				SHAFT & JOINT ASSY.		
BILL OF MATERIAL	DIFF. TYPE	RATIO	RING GEAR & PINION KIT ⁷	DIFFERENTIAL			RIGHT HAND SHAFT ASSY.	LEFT HAND SHAFT ASSY.	SHAFT & SLIP YOKE ASSY.
				CASE ASSY. KIT ⁸	CASE KIT	INNER PARTS KIT			
1992 1/2 Bronco & F-150									
610407-1	Standard	3.07	707283-3X	706921X	706923X	706925X	72044-1X	71394-1X	72041-1X
610407-3	Standard	3.54	707283-6X	706921X	706923X	706925X	72044-1X	71394-1X	72041-1X
610408-1	Standard	3.07	707283-3X	706921X	706923X	706925X	72044-1X	71394-1X	72041-1X
610408-3	Standard	3.54	707283-6X	706921X	706923X	706925X	72044-1X	71394-1X	72041-1X
610408-4	Standard	4.09	707283-9X	706945X	706947X	706925X	72044-1X	71394-1X	72041-1X
610408-6	Trac Lok	3.54	707283-6X	707147X	707148X	707149X	72044-1X	71394-1X	72041-1X
610408-7	Standard	3.07	707283-3X	706921X	706923X	706925X	72044-1X	71394-1X	72041-1X
610408-9	Standard	3.54	707283-6X	706921X	706923X	706925X	72044-1X	71394-1X	72041-1X
1993-93 1/2 Bronco ABS									
610411-1	Standard	3.07	707283-3X	706921X	706923X	706925X	74820-1X	74813-1X	72041-1X
610411-2	Trac Lok	3.54	707283-6X	707147X	707148X	707149X	74820-1X	74813-1X	72041-1X
610411-3	Standard	3.54	707283-6X	706921X	706923X	706925X	74820-1X	74813-1X	72041-1X
610411-4	Standard	4.09	707283-9X	706945X	706947X	706925X	74820-1X	74813-1X	72041-1X
610411-7	Standard	3.07	707283-3X	706921X	706923X	706925X	74820-1X	74813-1X	72041-1X
610411-8	Standard	3.54	707283-6X	706921X	706923X	706925X	74820-1X	74813-1X	72041-1X
1993-93 1/2 Bronco & F-150									
610414-1	Standard	3.07	707283-3X	706921X	706923X	706925X	74820-1X	74813-1X	72041-1X
610414-3	Standard	3.54	707283-6X	706921X	706923X	706925X	74820-1X	74813-1X	72041-1X
610414-4	Standard	4.09	707283-9X	706945X	706947X	706925X	74820-1X	74813-1X	72041-1X
610414-6	Trac Lok	3.54	707283-6X	707147X	707148X	707149X	74820-1X	74813-1X	72041-1X
610414-7	Standard	3.07	707283-3X	706921X	706923X	706925X	74820-1X	74813-1X	72041-1X
610414-9	Standard	3.54	707283-6X	706921X	706923X	706925X	74820-1X	74813-1X	72041-1X
1994 Bronco ABS									
610443-3	Standard	3.54	707283-6X	706921X	706923X	706925X	74820-1X	74813-1X	72041-1X
610443-9	Standard	3.54	707283-6X	706921X	706923X	706925X	74820-1X	74813-1X	72041-1X
1994 Bronco & F-150									
610444-1	Standard	3.07	707283-3X	706921X	706923X	706925X	74820-1X	74813-1X	72041-1X
610444-2	Standard	3.31	707283-4X	706921X	706923X	706925X	74820-1X	74813-1X	72041-1X
610444-3	Standard	3.54	707283-6X	706921X	706923X	706925X	74820-1X	74813-1X	72041-1X
610444-4	Standard	4.09	707283-9X	706945X	706947X	706925X	74820-1X	74813-1X	72041-1X
610444-5	Trac Lok	3.31	707283-4X	707147X	707148X	707149X	74820-1X	74813-1X	72041-1X
610444-6	Trac Lok	3.54	707283-6X	707147X	707148X	707149X	74820-1X	74813-1X	72041-1X
610444-7	Standard	3.07	707283-3X	706921X	706923X	706925X	74820-1X	74813-1X	72041-1X
610444-8	Standard	3.31	707283-4X	706921X	706923X	706925X	74820-1X	74813-1X	72041-1X
610444-9	Standard	3.54	707283-6X	706921X	706923X	706925X	74820-1X	74813-1X	72041-1X

⁷ See Ring Gear & Pinion Kits in XGI Catalog for ratio & tooth combinations.

⁸ See Differential Case Assy Kits in XGI Catalog for spline data & ratios.

MODEL 44 /216 IFS FRONT AXLES FOR FORD

BILL OF MATERIAL TABLE

AXLE			AXLE KITS				SHAFT & JOINT ASSY.		
BILL OF MATERIAL	DIFF. TYPE	RATIO	RING GEAR & PINION KIT ⁷	DIFFERENTIAL			RIGHT HAND SHAFT ASSY.	LEFT HAND SHAFT ASSY.	SHAFT & SLIP YOKE ASSY.
				CASE ASSY. KIT ⁸	CASE KIT	INNER PARTS KIT			
1994 Bronco ABS									
610447-3	Standard	3.54	707283-6X	706921X	706923X	706925X	74820-1X	74813-1X	72041-1X
610447-9	Standard	3.54	707283-6X	706921X	706923X	706925X	74820-1X	74813-1X	72041-1X
610447-10	Standard	3.54	707283-6X	706921X	706923X	706925X	74820-1X	74813-1X	72041-1X
1995 Bronco & F-150									
610446-1	Standard	3.07	707283-3X	706921X	706923X	706925X	74820-1X	74813-1X	72041-1X
610446-2	Standard	3.31	707283-4X	706921X	706923X	706925X	74820-1X	74813-1X	72041-1X
610446-3	Standard	3.54	707283-6X	706921X	706923X	706925X	74820-1X	74813-1X	72041-1X
610446-5	Trac Lok	3.31	707283-4X	707147X	707148X	707149X	74820-1X	74813-1X	72041-1X
610446-6	Trac Lok	3.54	707283-6X	707147X	707148X	707149X	74820-1X	74813-1X	72041-1X
610446-10	Standard	3.07	707283-3X	706921X	706923X	706925X	74820-1X	74813-1X	72041-1X
610446-11	Standard	3.31	707283-4X	706921X	706923X	706925X	74820-1X	74813-1X	72041-1X
610446-12	Standard	3.54	707283-6X	706921X	706923X	706925X	74820-1X	74813-1X	72041-1X
1996 1/2 Bronco & F-150									
610607-1	Standard	3.07	707283-3X	707461X	706923X	706925X	74820-1X	74813-1X	72041-1X
610607-2	Standard	3.31	707283-4X	707461X	706923X	706925X	74820-1X	74813-1X	72041-1X
610607-3	Standard	3.54	707283-6X	707461X	706923X	706925X	74820-1X	74813-1X	72041-1X
610607-4	Standard	4.09	707283-9X	706945X	706947X	706925X	74820-1X	74813-1X	72041-1X
610607-5	Trac Lok	3.31	707283-4X	707147X	707148X	707149X	74820-1X	74813-1X	72041-1X
610607-6	Trac Lok	3.54	707283-6X	707147X	707148X	707149X	74820-1X	74813-1X	72041-1X
610607-7	Standard	3.07	707283-3X	707461X	706923X	706925X	74820-1X	74813-1X	72041-1X
610607-8	Standard	3.31	707283-4X	707461X	706923X	706925X	74820-1X	74813-1X	72041-1X
610607-9	Standard	3.54	707283-6X	707461X	706923X	706925X	74820-1X	74813-1X	72041-1X
1996 1/2 Bronco ABS									
610608-1	Standard	3.54	707283-6X	707461X	706923X	706925X	74820-1X	74813-1X	72041-1X
610608-2	Standard	3.54	707283-6X	707461X	706923X	706925X	74820-1X	74813-1X	72041-1X

⁷ See Ring Gear & Pinion Kits in XGI Catalog for ratio & tooth combinations.

⁸ See Differential Case Assy Kits in XGI Catalog for spline data & ratios.

MODEL 44 /216 IFS FRONT AXLES FOR FORD VARIABLE PARTS TABLE

Kits & Parts - Use With All Applications							
Description & Item Number (Refer to "Exploded View" on page 18)			Bills of Material				
			610062	610063	610146	610166	610167
1	Slinger Shim – Pinion Brg Inner	5	30764	30764	30764	30764	30764
2	Inner Pinion Bearing Kit	6	706031X	706031X	706031X	706031X	706031X
3	Baffle – Pinion Bearing	7	30765	30765	30765	30765	30765
4	Gear – Differential (STD)	24	31487	31487	31487	31487	40194
5	Thrustwasher – Diff Gear (STD)	27	32121	32121	32121	32121	32121
6	Slinger	33	36364	36364	36364	36364	36364
7	Seal – Oil	34	38128	38128	38128	38128	38128
8	Spacer – Wheel Bearing Spindle	35	38106	38106	38106	38106	38106
12	Bolt – Hex	44	36326-1	36326-1	36326-1	36326-1	36326-1
13	Nut	45	500381-3	500381-3	500381-3	500381-3	500381-3
14	Screw – Stop	46	31026-1	31026-1	31026-1	31026-1	31026-1
15	Seal – Needle Bearing	48	36361	36361	36361	36361	36361
16	Spindle	50	41928	41929	41929	41928	41928
17	KIT – Spindle Seal & Bearing	-	706527X	706527X	706527X	706527X	706527X
18	KIT – Spindle (33,34,35,48,49,50)	-	707178X	707043X	707043X	707178X	707178X
19	Assembly – Spindle (48,49,50)	-	73182X	73183X	73183X	73182X	73182X
20	Nut – Lock (qty 10)	51	35704	35704	35704	35704	35704
21	Seal – Oil	52	40709	40709	40709	40709	40709
22	Inner Wheel Bearing	53	706110X	706690X	706690X	706110X	706110X
23	Nut & Pin Assembly	56	21588X	21588X	21588X	21588X	21588X
24	Lockwasher	57	36569	36569	39909	39909	39909
25	Spindle Nut	58	31139	31139	31139	31139	31139
26	Axle Shaft Retainer	59	—	—	—	—	—
27	Snap Ring	60	—	—	—	—	—
28	Snap Ring	61	620147	620147	620147	620147	620147
29	Snap Ring	62	620430	620430	620430	620430	620430
30	Screw – Socket Head (Hub Lok)	64	620432	45886	45886	45886	45886
31	KIT – Unit Bearing & Seal	-	700154	700154	700154	700154	706948X
32	Seal – Oil	71	35938	35938	35938	35938	40773
33	Bearing	72	565909	565909	565909	565909	566121
34	Retainer – Oil Seal	74	620435	620435	620435	620435	—
35	Retainer – Brg Ring	75	36121	36121	36121	36121	—
36	Gear – Differential (T/L)	76	—	—	—	—	—
37	Wheel Brg Retainer Assy	84	—	—	—	—	—
38	Washer Pkg.	85	—	—	—	—	—

(See next page for additional bills of material)

MODEL 44 /216 IFS FRONT AXLES FOR FORD VARIABLE PARTS TABLE

Kits & Parts - Use With All Applications							
Description & Item Number (Refer to "Exploded View" on page 18)			Bills of Material				
			610168	610169	610177	610178	610179
1	Slinger Shim – Pinion Brg Inner	5	30764	30764	30764	30764	30764
2	Inner Pinion Bearing Kit	6	706031X	706031X	706031X	706031X	706031X
3	Baffle – Pinion Bearing	7	30765	30765	30765	30765	30765
4	Gear – Differential (STD)	24	40194	40194	40194	40194	40194
5	Thrustwasher – Diff Gear (STD)	27	32121	32121	32121	32121	32121
6	Slinger	33	36364	36364	36364	36364	36364
7	Seal – Oil	34	38128	38128	38128	38128	38128
8	Spacer – Wheel Bearing Spindle	35	38106	38106	38106	38106	38106
12	Bolt – Hex	44	36326-1	36326-1	36326-1	36326-1	36326-1
13	Nut	45	500381-3	500381-3	500381-3	500381-3	500381-3
14	Screw – Stop	46	31026-1	31026-1	31026-1	31026-1	31026-1
15	Seal – Needle Bearing	48	36361	36361	36361	36361	36361
16	Spindle	50	41928	41929	41928	41928	41929
17	KIT – Spindle Seal & Bearing	-	706527X	706527X	706527X	706527X	706527X
18	KIT – Spindle (33,34,35,48,49,50)	-	707178X	707043X	707178X	707178X	707043X
19	Assembly – Spindle (48,49,50)	-	73182X	73183X	73182X	73182X	73183X
20	Nut – Lock (qty 10)	51	35704	35704	35704	35704	35704
21	Seal – Oil	52	40709	40709	40709	40709	40709
22	Inner Wheel Bearing	53	706110X	706690X	706110X	706110X	706690X
23	Nut & Pin Assembly	56	21588X	21588X	21588X	21588X	21588X
24	Lockwasher	57	39909	39909	39909	39909	39909
25	Spindle Nut	58	31139	31139	31139	31139	31139
26	Axle Shaft Retainer	59	—	—	—	—	—
27	Snap Ring	60	—	—	—	—	—
28	Snap Ring	61	620147	620147	620147	620147	620147
29	Snap Ring	62	620430	620430	620430	620430	620430
30	Screw – Socket Head (Hub Lok)	64	—	45886	45886	45886	45886
31	KIT – Unit Bearing & Seal	-	706948X	706948X	706948X	706948X	706948X
32	Seal – Oil	71	40773	40773	40773	40773	40773
33	Bearing	72	566121	566121	566121	566121	566121
34	Retainer – Oil Seal	74	—	—	—	—	—
35	Retainer – Brg Ring	75	—	—	—	—	—
36	Gear – Differential (T/L)	76	—	—	—	—	—
37	Wheel Brg Retainer Assy	84	—	—	—	—	—
38	Washer Pkg.	85	—	—	—	—	—

(See next page for additional bills of material)

MODEL 44 /216 IFS FRONT AXLES FOR FORD VARIABLE PARTS TABLE

Kits & Parts - Use With All Applications							
Description & Item Number (Refer to "Exploded View" on page 18)			Bills of Material				
			610185	610197	610198	610199	610229
1	Slinger Shim – Pinion Brg Inner	5	30764	30764	30764	30764	30764
2	Inner Pinion Bearing Kit	6	706031X	706031X	706031X	706031X	706031X
3	Baffle – Pinion Bearing	7	30765	30765	30765	30765	30765
4	Gear – Differential (STD)	24	31487	40194	40194	40194	40194
5	Thrustwasher – Diff Gear (STD)	27	32121	32121	32121	32121	32121
6	Slinger	33	36364	36364	36364	36364	36364
7	Seal – Oil	34	38128	38128	38128	38128	38128
8	Spacer – Wheel Bearing Spindle	35	38106	38106	38106	38106	38106
12	Bolt – Hex	44	36326-1	36326-1	36326-1	36326-1	36326-1
13	Nut	45	500381-3	500381-3	500381-3	500381-3	500381-3
14	Screw – Stop	46	31026-1	31026-1	31026-1	31026-1	31026-1
15	Seal – Needle Bearing	48	36361	36361	36361	36361	36361
16	Spindle	50	41928	41928	41928	41929	41929
17	KIT – Spindle Seal & Bearing	-	706527X	706971X	706971X	706971X	706971X
18	KIT – Spindle (33,34,35,48,49,50)	-	707178X	707178X	707178X	707043X	707043X
19	Assembly – Spindle (48,49,50)	-	73182X	73182X	73182X	73183X	73183X
20	Nut – Lock (qty 10)	51	35704	35704	35704	35704	35704
21	Seal – Oil	52	40709	40709	40709	40709	40709
22	Inner Wheel Bearing	53	706110X	706110X	706110X	706690X	706690X
23	Nut & Pin Assembly	56	21588X	21588X	21588X	21588X	21588X
24	Lockwasher	57	39909	39909	39909	39909	39909
25	Spindle Nut	58	31139	31139	31139	31139	31139
26	Axle Shaft Retainer	59	—	—	—	—	—
27	Snap Ring	60	—	—	—	—	—
28	Snap Ring	61	620147	620147	620147	620147	620147
29	Snap Ring	62	620430	620430	620430	620430	620430
30	Screw – Socket Head (Hub Lok)	64	45886	45886	45886	45886	45886
31	KIT – Unit Bearing & Seal	-	700154	706948X	706948X	706948X	706948X
32	Seal – Oil	71	35938	40773	40773	40773	40773
33	Bearing	72	565909	566121	566121	566121	566121
34	Retainer – Oil Seal	74	620435	—	—	—	—
35	Retainer – Brg Ring	75	36121	—	—	—	—
36	Gear – Differential (T/L)	76	—	—	—	—	—
37	Wheel Brg Retainer Assy	84	—	—	—	—	—
38	Washer Pkg.	85	—	—	—	—	—

(See next page for additional bills of material)

MODEL 44 /216 IFS FRONT AXLES FOR FORD VARIABLE PARTS TABLE

Kits & Parts - Use With All Applications							
Description & Item Number (Refer to "Exploded View" on page 18)			Bills of Material				
			610231	610241	610242	610243	610261
1	Slinger Shim – Pinion Brg Inner	5	30764	30764	30764	30764	30764
2	Inner Pinion Bearing Kit	6	706031X	706031X	706031X	706031X	706031X
3	Baffle – Pinion Bearing	7	30765	30765	30765	30765	30765
4	Gear – Differential (STD)	24	40194	40194	40194	40194	40194
5	Thrustwasher – Diff Gear (STD)	27	32121	32121	32121	32121	32121
6	Slinger	33	36364	36364	36364	36364	36364
7	Seal – Oil	34	38128	38128	38128	38128	38128
8	Spacer – Wheel Bearing Spindle	35	38106	38106	38106	38106	38106
12	Bolt – Hex	44	36326-1	36326-1	36326-1	36326-1	36326-1
13	Nut	45	500381-3	500381-3	500381-3	500381-3	500381-3
14	Screw – Stop	46	31026-1	31026-1	31026-1	31026-1	31026-1
15	Seal – Needle Bearing	48	36361	36361	36361	36361	36361
16	Spindle	50	41929	41928	41928	41929	41928
17	KIT – Spindle Seal & Bearing	-	706971X	706971X	706971X	706971X	706971X
18	KIT – Spindle (33,34,35,48,49,50)	-	707043X	707178X	707178X	707043X	707178X
19	Assembly – Spindle (48,49,50)	-	73183X	73182X	73182X	73183X	73182X
20	Nut – Lock (qty 10)	51	35704	35704	35704	35704	35704
21	Seal – Oil	52	40709	40709	40709	40709	40709
22	Inner Wheel Bearing	53	706690X	706110X	706110X	706690X	706110X
23	Nut & Pin Assembly	56	21588X	42390	42390	42390	21588X
24	Lockwasher	57	39909	—	—	—	39909
25	Spindle Nut	58	31139	—	—	—	31139
26	Axle Shaft Retainer	59	—	—	—	—	39907
27	Snap Ring	60	—	—	—	—	39908
28	Snap Ring	61	620147	620147	620147	620147	—
29	Snap Ring	62	620430	620430	620430	620430	—
30	Screw – Socket Head (Hub Lok)	64	45886	45886	45886	45886	—
31	KIT – Unit Bearing & Seal	-	706948X	706948X	706948X	706948X	706948X
32	Seal – Oil	71	40773	40773	40773	40773	40773
33	Bearing	72	566121	566121	566121	566121	566121
34	Retainer – Oil Seal	74	—	—	—	—	—
35	Retainer – Brg Ring	75	—	—	—	—	—
36	Gear – Differential (T/L)	76	—	—	—	—	—
37	Wheel Brg Retainer Assy	84	—	—	—	—	—
38	Washer Pkg.	85	—	—	—	—	—

(See next page for additional bills of material)

MODEL 44 /216 IFS FRONT AXLES FOR FORD VARIABLE PARTS TABLE

Kits & Parts - Use With All Applications							
Description & Item Number (Refer to "Exploded View" on page 18)			Bills of Material				
			610262	610263	610264	610266	610267
1	Slinger Shim – Pinion Brg Inner	5	30764	30764	30764	30764	30764
2	Inner Pinion Bearing Kit	6	706031X	706031X	706031X	706031X	706031X
3	Baffle – Pinion Bearing	7	30765	30765	30765	30765	30765
4	Gear – Differential (STD)	24	40194	40194	40194	40194	40194
5	Thrustwasher – Diff Gear (STD)	27	32121	32121	32121	32121	32121
6	Slinger	33	36364	36364	36364	36364	36364
7	Seal – Oil	34	38128	38128	38128	38128	38128
8	Spacer – Wheel Bearing Spindle	35	38106	38106	38106	38106	38106
12	Bolt – Hex	44	36326-1	36326-1	36326-1	36326-1	36326-1
13	Nut	45	500381-3	500381-3	500381-3	500381-3	500381-3
14	Screw – Stop	46	31026-1	31026-1	31026-1	31026-1	31026-1
15	Seal – Needle Bearing	48	36361	36361	36361	36361	36361
16	Spindle	50	41928	41928	41929	42348	42348
17	KIT – Spindle Seal & Bearing	-	706971X	706971X	706971X	706971X	706971X
18	KIT – Spindle (33,34,35,48,49,50)	-	707178X	707178X	707043X	707059X	707059X
19	Assembly – Spindle (48,49,50)	-	73182X	73182X	73183X	73110X	73110X
20	Nut – Lock (qty 10)	51	35704	35704	35704	35704	35704
21	Seal – Oil	52	40709	40709	40709	40709	40709
22	Inner Wheel Bearing	53	706110X	706110X	706690X	706110X	706074X
23	Nut & Pin Assembly	56	42390	42390	43167	43167	43167
24	Lockwasher	57	—	—	—	—	—
25	Spindle Nut	58	—	—	—	—	—
26	Axle Shaft Retainer	59	—	—	—	39907	39907
27	Snap Ring	60	—	—	—	39908	39908
28	Snap Ring	61	620147	620147	620147	—	—
29	Snap Ring	62	620430	620430	620430	—	—
30	Screw – Socket Head (Hub Lok)	64	45886	45886	45886	45886	45886
31	KIT – Unit Bearing & Seal	-	706948X	706948X	706948X	706948X	706948X
32	Seal – Oil	71	40773	40773	40773	40773	40773
33	Bearing	72	566121	566121	566121	566121	566121
34	Retainer – Oil Seal	74	—	—	—	—	—
35	Retainer – Brg Ring	75	—	—	—	—	—
36	Gear – Differential (T/L)	76	—	—	—	—	—
37	Wheel Brg Retainer Assy	84	—	—	—	—	—
38	Washer Pkg.	85	—	—	—	—	—

(See next page for additional bills of material)

MODEL 44 /216 IFS FRONT AXLES FOR FORD VARIABLE PARTS TABLE

Kits & Parts - Use With All Applications							
Description & Item Number (Refer to "Exploded View" on page 18)			Bills of Material				
			610268	610306	610309	610310	610311
1	Slinger Shim – Pinion Brg Inner	5	30764	30764	30764	30764	30764
2	Inner Pinion Bearing Kit	6	706031X	706031X	706031X	706031X	706031X
3	Baffle – Pinion Bearing	7	30765	30765	30765	30765	30765
4	Gear – Differential (STD)	24	40194	40194	40194	40194	40194
5	Thrustwasher – Diff Gear (STD)	27	32121	32121	32121	32121	32121
6	Slinger	33	36364	36364	36364	36364	36364
7	Seal – Oil	34	38128	38128	38128	38128	38128
8	Spacer – Wheel Bearing Spindle	35	38106	38106	38106	38106	38106
12	Bolt – Hex	44	36326-1	36326-1	36326-1	36326-1	36326-1
13	Nut	45	500381-3	500381-3	500381-3	500381-3	500381-3
14	Screw – Stop	46	31026-1	31026-1	31026-1	31026-1	31026-1
15	Seal – Needle Bearing	48	36361	36361	36361	36361	36361
16	Spindle	50	41928	41929	42348	41928	41929
17	KIT – Spindle Seal & Bearing	-	706971X	706971X	706971X	706971X	706971X
18	KIT – Spindle (33,34,35,48,49,50)	-	707178X	707043X	707059X	707178X	707043X
19	Assembly – Spindle (48,49,50)	-	73182X	73183X	73110X	73182X	73183X
20	Nut – Lock (qty 10)	51	35704	35704	35704	35704	35704
21	Seal – Oil	52	40709	40709	40709	40709	40709
22	Inner Wheel Bearing	53	706110X	706690X	706074X	706110X	706690X
23	Nut & Pin Assembly	56	21588X	43167	43167	21588X	43167
24	Lockwasher	57	39909	—	—	39909	—
25	Spindle Nut	58	31139	—	—	31139	—
26	Axle Shaft Retainer	59	39907	—	39907	39907	—
27	Snap Ring	60	39908	—	39908	39908	—
28	Snap Ring	61	—	620147	—	—	620147
29	Snap Ring	62	—	620430	—	—	620430
30	Screw – Socket Head (Hub Lok)	64	—	45886	45886	—	45886
31	KIT – Unit Bearing & Seal	-	706948X	706948X	706948X	706948X	706948X
32	Seal – Oil	71	40773	40773	40773	40773	40773
33	Bearing	72	566121	566121	566121	566121	566121
34	Retainer – Oil Seal	74	—	—	—	—	—
35	Retainer – Brg Ring	75	—	—	—	—	—
36	Gear – Differential (T/L)	76	—	—	—	—	—
37	Wheel Brg Retainer Assy	84	—	—	—	—	—
38	Washer Pkg.	85	—	—	—	—	—

(See next page for additional bills of material)

MODEL 44 /216 IFS FRONT AXLES FOR FORD VARIABLE PARTS TABLE

Kits & Parts - Use With All Applications							
Description & Item Number (Refer to "Exploded View" on page 18)			Bills of Material				
			610335	610407	610408	610411	610414
1	Slinger Shim – Pinion Brg Inner	5	30764	—	—	—	—
2	Inner Pinion Bearing Kit	6	706031X	706015X	706015X	706015X	706015X
3	Baffle – Pinion Bearing	7	30765	32349	32349	32349	32349
4	Gear – Differential (STD)	24	40194	40194	40194	40194	40194
5	Thrustwasher – Diff Gear (STD)	27	32121	40196	40196	40196	40196
6	Slinger	33	36364	36364	36364	—	—
7	Seal – Oil	34	38128	38128	38128	50492	50492
8	Spacer – Wheel Bearing Spindle	35	38106	38106	38106	—	—
12	Bolt – Hex	44	36326-1	36326-1	36326-1	44630-1	44630-1
13	Nut	45	500381-3	500381-3	500381-3	—	—
14	Screw – Stop	46	31026-1	31026-1	31026-1	—	—
15	Seal – Needle Bearing	48	36361	36361	36361	45651	45651
16	Spindle	50	41928	41928	41928	44610	44706
17	KIT – Spindle Seal & Bearing	-	706971X	706971X	706971X	707316X	707316X
18	KIT – Spindle (33,34,35,48,49,50)	-	707178X	707178X	707178X	—	707373X
19	Assembly – Spindle (48,49,50)	-	73182X	73182X	73182X	74811X	74812X
20	Nut – Lock (qty 10)	51	35704	35704	35704	36805	36805
21	Seal – Oil	52	40709	40709	40709	40709	40709
22	Inner Wheel Bearing	53	706110X	706110X	706110X	706110X	706110X
23	Nut & Pin Assembly	56	43167	21588X	—	—	—
24	Lockwasher	57	—	39909	—	—	—
25	Spindle Nut	58	—	31139	—	—	—
26	Axle Shaft Retainer	59	—	39907	—	—	—
27	Snap Ring	60	—	39908	—	—	—
28	Snap Ring	61	620147	—	620147	620147	620147
29	Snap Ring	62	620430	—	620430	620430	620430
30	Screw – Socket Head (Hub Lok)	64	45886	—	45886	45886	45886
31	KIT – Unit Bearing & Seal	-	706948X	706948X	706948X	706948X	706948X
32	Seal – Oil	71	40773	40773	40773	40773	40773
33	Bearing	72	566121	566121	566121	566121	566121
34	Retainer – Oil Seal	74	—	—	—	—	—
35	Retainer – Brg Ring	75	—	—	—	—	—
36	Gear – Differential (T/L)	76	—	—	—	—	—
37	Wheel Brg Retainer Assy	84	—	—	43167	43167	43167
38	Washer Pkg.	85	—	—	—	—	—

(See next page for additional bills of material)

MODEL 44 /216 IFS FRONT AXLES FOR FORD VARIABLE PARTS TABLE

Kits & Parts - Use With All Applications							
Description & Item Number (Refer to "Exploded View" on page 18)			Bills of Material				
			610443	610444	610446	610447	610607
1	Slinger Shim – Pinion Brg Inner	5	—	—	—	—	—
2	Inner Pinion Bearing Kit	6	706015X	706015X	706015X	706015X	706015X
3	Baffle – Pinion Bearing	7	32349	32349	32349	32349	32349
4	Gear – Differential (STD)	24	40194	40194	40194	40194	40194
5	Thrustwasher – Diff Gear (STD)	27	40196	40196	40196	40196	40196
6	Slinger	33	—	—	—	—	—
7	Seal – Oil	34	50492	50492	50492	50492	50492
8	Spacer – Wheel Bearing Spindle	35	—	—	—	—	—
12	Bolt – Hex	44	44630-1	44630-1	44630-1	44630-1	44630-1
13	Nut	45	—	—	—	—	—
14	Screw – Stop	46	—	—	—	—	—
15	Seal – Needle Bearing	48	45651	45651	45651	45651	45651
16	Spindle	50	44610	44706	46319	46320	46319
17	KIT – Spindle Seal & Bearing	-	707316X	707316X	707316X	707316X	707316X
18	KIT – Spindle (33,34,35,48,49,50)	-	—	707373X	—	—	—
19	Assembly – Spindle (48,49,50)	-	74811X	74812X	75303X	75304X	75303X
20	Nut – Lock (qty 10)	51	36805	36805	36805	36805	36805
21	Seal – Oil	52	40709	40709	76267X	76267X	76267X
22	Inner Wheel Bearing	53	706110X	706110X	706110X	706110X	706110X
23	Nut & Pin Assembly	56	—	—	21588X	—	21588X
24	Lockwasher	57	—	—	39909	—	39909
25	Spindle Nut	58	—	—	31139	—	31139
26	Axle Shaft Retainer	59	—	—	—	—	—
27	Snap Ring	60	—	—	39908	—	39908
28	Snap Ring	61	620147	620147	—	—	—
29	Snap Ring	62	620430	620430	620430	620430	620430
30	Screw – Socket Head (Hub Lok)	64	45886	45886	46481	45886	46481
31	KIT – Unit Bearing & Seal	-	706948X	706948X	706948X	706948X	706948X
32	Seal – Oil	71	40773	40773	40773	40773	40773
33	Bearing	72	566121	566121	566121	566121	566121
34	Retainer – Oil Seal	74	—	—	—	—	—
35	Retainer – Brg Ring	75	—	—	—	—	—
36	Gear – Differential (T/L)	76	—	—	—	—	—
37	Wheel Brg Retainer Assy	84	43167	43167	—	—	—
38	Washer Pkg.	85	—	—	701131X	—	701131X

(See next page for additional bills of material)

MODEL 44 /216 IFS FRONT AXLES FOR FORD VARIABLE PARTS TABLE

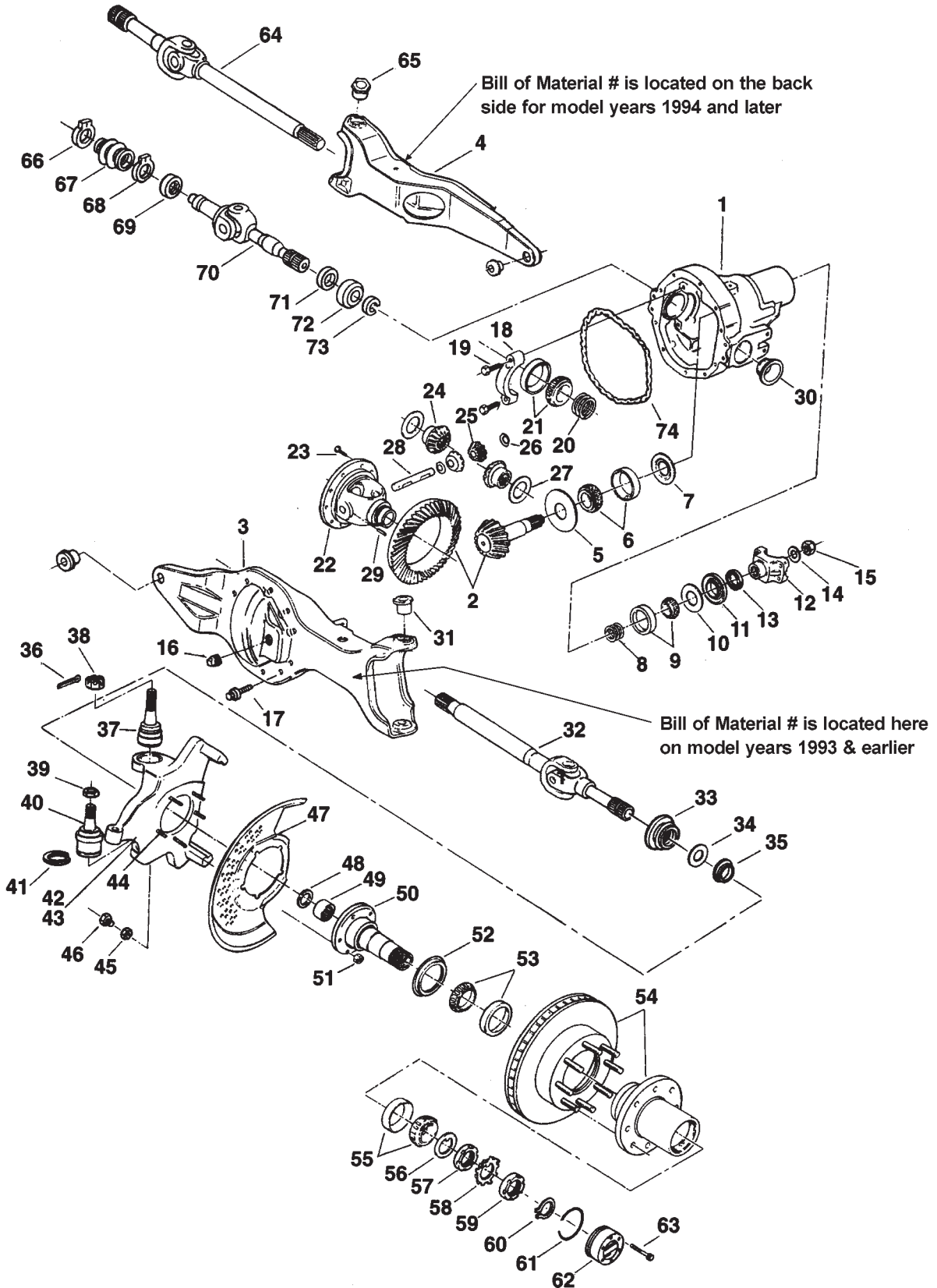
Kits & Parts - Use With All Applications						
Description & Item Number (Refer to "Exploded View" on page 18)			Bills of Material			
			610608			
1	Slinger Shim – Pinion Brg Inner	5	—			
2	Inner Pinion Bearing Kit	6	706015X			
3	Baffle – Pinion Bearing	7	32349			
4	Gear – Differential (STD)	24	40194			
5	Thrustwasher – Diff Gear (STD)	27	40196			
6	Slinger	33	—			
7	Seal – Oil	34	50492			
8	Spacer – Wheel Bearing Spindle	35	—			
12	Bolt – Hex	44	46630-1			
13	Nut	45	—			
14	Screw – Stop	46	—			
15	Seal – Needle Bearing	48	45651			
16	Spindle	50	46320			
17	KIT – Spindle Seal & Bearing	-	707316X			
18	KIT – Spindle (33,34,35,48,49,50)	-	—			
19	Assembly – Spindle (48,49,50)	-	75304X			
20	Nut – Lock (qty 10)	51	36805			
21	Seal – Oil	52	76267X			
22	Inner Wheel Bearing	53	706110X			
23	Nut & Pin Assembly	56	21588X			
24	Lockwasher	57	39909			
25	Spindle Nut	58	31139			
26	Axle Shaft Retainer	59	—			
27	Snap Ring	60	39908			
28	Snap Ring	61	—			
29	Snap Ring	62	620430			
30	Screw – Socket Head (Hub Lok)	64	46481			
31	KIT – Unit Bearing & Seal	-	706948X			
32	Seal – Oil	71	40773			
33	Bearing	72	566121			
34	Retainer – Oil Seal	74	—			
35	Retainer – Brg Ring	75	—			
36	Gear – Differential (T/L)	76	—			
37	Wheel Brg Retainer Assy	84	—			
38	Washer Pkg.	85	701131X			



NOTES

**MODEL 50 /229 IFS
FRONT AXLES for
F-250 & F350**

50 /229 IFS FRONT EXPLODED VIEW



MODEL 50 /229 IFS FRONT AXLES FOR FORD PARTS LISTING

ITEM NO.	PART NUMBER	DESCRIPTION	ITEM NO.	PART NUMBER	DESCRIPTION
1	— ³	Housing – Axle Service	32	— ¹	Left Shaft & Joint Assembly
2	— ¹	Drive Pinion & Gear Kit	33	— ²	Slinger
3	— ³	LH Support Arm Assembly	34	— ²	Seal – Oil
4	— ³	RH Support Arm Assembly	35	— ²	Spacer – Wheel Bearing Spindle
5	— ²	Slinger Shim – Pinion Bearing Inner		700103-1X	KIT – Socket Assembly (inc 36,37,38,39,40,41)
	707237X	KIT – Pinion Bearing Shim (Inc 8, 13, 14, 72)	36	500024-8	Pin – Cotter
	707235X	KIT – Diff & Pinion Shim (Inc 8, 13, 14, 19, 72)	37	47184	Socket – Upper
6	706015X	Inner Pinion Bearing Kit	38	44101	Nut – Upper
7	32349	Baffle – Pinion Bearing	39	35566	Nut – Lower
8	— ⁴	Outer Pinion Adj Shims (See Kits – 707237X & 707235X)	40	47183	Socket – Lower
9	706030X	Outer Pinion Bearing Kit	41	620343	Snap Ring
10	13575	Slinger – Outer Pinion	42	— ³	Right Knuckle
11	40793	Seal – Pinion Oil	43	— ³	Left Knuckle
12	2-4-6111X	End Yoke or Assembly (inc 13)	44	37759-1	Bolt – Hex
13	41498	Slinger – End Yoke	45	— ²	Nut
14	30186	Washer – Pinion Nut	46	— ²	Screw – Stop
15	30185	Nut – Pinion	47	— ³	Dust Shield
16	36472	Plug – Oil Fill	48	— ²	Seal – Needle Bearing
17	620631	Bolt – Carrier	49	620063	Needle Bearing – Spindle
18	— ³	Cap – Diff Bearing	50	620370	Spindle
19	48632-1	Screw – Diff Bearing Cap		— ²	KIT – Spindle Seal & Bearing (34, 35, 48, 49)
20	706914X	KIT – Diff Brg Adj Shim (inc 72)	51	36805	Nut – Lock (qty 10)
21	700097	Diff Bearing Kit	52	— ²	Seal – Grease
22	— ⁴	Case – Differential	53	706411X	Inner Wheel Bearing
23	45784	Bolt – Drive Gear	54	— ³	Hub & Rotor
24	40432	Gear – Differential	55	706074X	Outer Wheel Bearing
25	620436	Pinion – Differential	56	— ²	Thrustwasher
26	620439	Thrustwasher – Diff Pinion	57	— ²	Spindle Nut or Nut & Pin Assy'
27	50718	Thrustwasher – Diff Gear	58	— ²	Lockwasher
28	620414	Shaft – Differential	59	— ²	Spindle Nut
29	44810	Lock – Differential Shaft	60	620142	Snap Ring
30	40710	Seal – Oil	61	620097	Snap Ring
31	— ⁵	Camber Adjustor (LH)		— ³	T/Washer Pkg. (Auto Hub Lock)
			62	— ³	Hub Lock

1 See "Bill of Material Table" on page 43

2 See "Variable Parts Table" on page 45

3 Contact Vehicle Manufacturer.

4 Not Sold Separately.

5 See Camber/Casting Bushing Table on page 203.

MODEL 50 /229 IFS FRONT AXLES FOR FORD PARTS LISTING

N.I. = Not Illustrated

ITEM NO.	PART NUMBER	DESCRIPTION
63	45886	Bolt – Manual Hub Lock
64	— 1	Right Shaft & Joint Assembly
65	— 5	Camber Adjustor
66	40540-4	Clamp – Keystone
67	40929	Boot – Rubber
68	40540-3	Clamp – Keystone
69	40930	Seal – Oil
70	— 1	Shaft & Slip Yoke Assy
	— 2	KIT – Unit Bearing & Seal (inc 71, 72)
71	— 2	Seal – Oil
72	— 2	Bearing
73	42570	Snap Ring
74	38615	RTV Silicone Sealant
		The following parts were used in vehicles from 1982 and earlier.
N.I.	— 2	Retainer – Brg Ring
N.I.	— 2	Retainer – Oil Seal

¹ See “Bill of Material Table” on page 43

² See “Variable Parts Table” on page 45

⁵ See Camber/Casting Bushing Table on page 191.

MODEL 50 /229 IFS FRONT AXLES FOR FORD

BILL OF MATERIAL TABLE

AXLE			AXLE KITS				SHAFT & JOINT ASSY.		
BILL OF MATERIAL	DIFF. TYPE	RATIO	RING GEAR & PINION KIT ⁶	DIFFERENTIAL			RIGHT HAND SHAFT ASSY.	LEFT HAND SHAFT ASSY.	SHAFT & SLIP YOKE ASSY.
				CASE ASSY. KIT ⁷	CASE KIT	INNER PARTS KIT			
1980 F-350									
610064-1	Standard	3.54	707239-1X	707459X	706917X	706916X	74445-1X	74446-1X	660232-1
610064-2	Standard	4.10	707239-2X	707459X	706917X	706916X	74445-1X	74446-1X	660232-1
610064-3	Standard	3.54	707239-1X	707459X	706917X	706916X	74445-1X	74446-1X	660232-1
1981-82 F-250 & F-350 (Snow Fighter)									
610147-1	Standard	3.54	707239-1X	707459X	706917X	706916X	74445-1X	74446-1X	660232-1
610147-2	Standard	4.10	707239-2X	707459X	706917X	706916X	74445-1X	74446-1X	660232-1
610147-3	Standard	3.54	707239-1X	707459X	706917X	706916X	74445-1X	74446-1X	660232-1
610147-4	Standard	3.54	707239-1X	707459X	706917X	706916X	74445-1X	74446-1X	660232-1
1983 F-250									
610170-1	Standard	4.10	707239-2X	707459X	706917X	706916X	74445-1X	74446-1X	71738-1X
610170-2	Standard	3.54	707239-1X	707459X	706917X	706916X	74445-1X	74446-1X	71738-1X
610170-3	Standard	3.54	707239-1X	707459X	706917X	706916X	74445-1X	74446-1X	71738-1X
1984 F-250 & F-350 (Snow Fighter)									
610180-1	Standard	3.54	707239-1X	707459X	706917X	706916X	74445-1X	74446-1X	72043-1X
610180-2	Standard	4.10	707239-2X	707459X	706917X	706916X	74445-1X	74446-1X	72043-1X
610180-3	Standard	3.54	707239-1X	707459X	706917X	706916X	74445-1X	74446-1X	72043-1X
1984 1/2 F-250 & F-350 (Snow Fighter)									
610200-1	Standard	3.54	707239-1X	707459X	706917X	706916X	74445-1X	74446-1X	72043-1X
610200-2	Standard	4.10	707239-2X	707459X	706917X	706916X	74445-1X	74446-1X	72043-1X
610200-3	Standard	3.54	707239-1X	707459X	706917X	706916X	74445-1X	74446-1X	72043-1X
610200-4	Standard	4.10	707239-2X	707459X	706917X	706916X	74445-1X	74446-1X	72043-1X
1985 F-250 & F-350 (Snow Fighter)									
610230-1	Standard	3.54	707239-1X	707459X	706917X	706916X	74445-1X	74446-1X	72043-1X
610230-2	Standard	4.10	707239-2X	707459X	706917X	706916X	74445-1X	74446-1X	72043-1X
610230-3	Standard	3.54	707239-1X	707459X	706917X	706916X	74445-1X	74446-1X	72043-1X
610230-4	Standard	4.10	707239-2X	707459X	706917X	706916X	74445-1X	74446-1X	72043-1X
1985 1/2 F-350									
610232-1	Standard	3.54	707239-1X	707459X	706917X	706916X	74445-1X	74446-1X	72043-1X
610232-2	Standard	4.10	707239-2X	707459X	706917X	706916X	74445-1X	74446-1X	72043-1X
610232-3	Standard	3.54	707239-1X	707459X	706917X	706916X	74445-1X	74446-1X	72043-1X
610232-4	Standard	4.10	707239-2X	707459X	706917X	706916X	74445-1X	74446-1X	72043-1X
1986-87 F-250 & F-350 (Snow Fighter)									
610254-1	Standard	3.54	707239-1X	707459X	706917X	706916X	74445-1X	74446-1X	72043-1X
610254-2	Standard	4.10	707239-2X	707459X	706917X	706916X	74445-1X	74446-1X	72043-1X
610254-3	Standard	3.54	707239-1X	707459X	706917X	706916X	74445-1X	74446-1X	72043-1X
610254-4	Standard	4.10	707239-2X	707459X	706917X	706916X	74445-1X	74446-1X	72043-1X

⁶ See Ring Gear & Pinion Kits in XGI Catalog for ratio & tooth combinations.

⁷ See Differential Case Assy Kits in XGI Catalog for spline data & ratios.

MODEL 50 /229 IFS FRONT AXLES FOR FORD

BILL OF MATERIAL TABLE

AXLE			AXLE KITS				SHAFT & JOINT ASSY.		
BILL OF MATERIAL	DIFF. TYPE	RATIO	RING GEAR & PINION KIT ⁶	DIFFERENTIAL			RIGHT HAND SHAFT ASSY.	LEFT HAND SHAFT ASSY.	SHAFT & SLIP YOKE ASSY.
				CASE ASSY. KIT ⁷	CASE KIT	INNER PARTS KIT			
1988-88 1/2 F-250 & F-350 (Snow Fighter)									
610304-1	Standard	3.54	707239-1X	707459X	706917X	706916X	74445-1X	74446-1X	72043-1X
610304-2	Standard	4.10	707239-2X	707459X	706917X	706916X	74445-1X	74446-1X	72043-1X
1989-92 1/2 F-250 & F-350 (Snow Fighter)									
610312-3	Standard	3.54	707239-1X	707459X	706917X	706916X	74445-1X	74446-1X	72043-1X
610312-4	Standard	4.10	707239-2X	707459X	706917X	706916X	74445-1X	74446-1X	72043-1X
1993-94 F-250 & F-350 (Snow Fighter)									
610439-1	Standard	3.54	707239-1X	707459X	706917X	706916X	74934-1X	74935-1X	72043-1X
610439-2	Standard	4.10	707239-2X	707459X	706917X	706916X	74934-1X	74935-1X	72043-1X
610439-3	Standard	3.54	707239-1X	707459X	706917X	706916X	74934-1X	74935-1X	72043-1X
610439-4	Standard	4.10	707239-2X	707459X	706917X	706916X	74934-1X	74935-1X	72043-1X
1995 F-250 & F-350 (Snow Fighter)									
610459-1	Standard	3.54	707239-1X	707459X	706917X	706916X	74934-1X	74935-1X	72043-1X
610459-2	Standard	4.10	707239-2X	707459X	706917X	706916X	74934-1X	74935-1X	72043-1X
610459-3	Standard	3.54	707239-1X	707459X	706917X	706916X	74934-1X	74935-1X	72043-1X
610459-4	Standard	4.10	707239-2X	707459X	706917X	706916X	74934-1X	74935-1X	72043-1X
610459-5	Standard	3.54	707239-1X	707459X	706917X	706916X	74934-1X	74935-1X	72043-1X
610459-6	Standard	4.10	707239-2X	707459X	706917X	706916X	74934-1X	74935-1X	72043-1X
610459-7	Standard	3.54	707239-1X	707459X	706917X	706916X	74934-1X	74935-1X	72043-1X
610459-8	Standard	4.10	707239-2X	707459X	706917X	706916X	74934-1X	74935-1X	72043-1X
1996 1/2-97 F-250 & F-350 (Snow Fighter)									
610609-1	Standard	3.54	707239-1X	707459X	706917X	706916X	74934-1X	74935-1X	72043-1X
610609-2	Standard	4.10	707239-2X	707459X	706917X	706916X	74934-1X	74935-1X	72043-1X
610609-3	Standard	3.54	707239-1X	707459X	706917X	706916X	74934-1X	74935-1X	72043-1X
610609-4	Standard	4.10	707239-2X	707459X	706917X	706916X	74934-1X	74935-1X	72043-1X
1997 1/2-98 F-250 & F-350 (Snow Fighter)									
610740-1	Standard	3.54	707239-1X	707459X	706917X	706916X	74934-1X	74935-1X	72043-1X
610740-2	Standard	4.10	707239-2X	707459X	706917X	706916X	74934-1X	74935-1X	72043-1X
610740-3	Standard	3.54	707239-1X	707459X	706917X	706916X	74934-1X	74935-1X	72043-1X
610740-4	Standard	4.10	707239-2X	707459X	706917X	706916X	74934-1X	74935-1X	72043-1X

⁶ See Ring Gear & Pinion Kits in XGI Catalog for ratio & tooth combinations.

⁷ See Differential Case Assy Kits in XGI Catalog for spline data & ratios.

MODEL 50 /229 IFS FRONT AXLES FOR FORD VARIABLE PARTS TABLE

Kits & Parts - Use With All Applications							
Description & Item Number (Refer to "Exploded View" on page 40)			Bills of Material				
			610064	610147	610170	610180	610200
1	Slinger Shim – Pinion Brg Inner	5	30764	30764	30764	30764	30764
2	Slinger	33	37308	37308	37308	37308	37308
3	Seal – Oil	34	37311	37311	37311	37311	37311
4	Spacer – Wheel Bearing Spindle	35	37312	37312	37312	37312	37312
5	Nut	45	500381-5	500381-5	500381-5	500381-5	500381-5
6	Screw – Stop	46	620143-2	620143-2	620143-2	620143-2	620143-2
7	Seal – Needle Bearing	48	620062	620062	620062	620062	620062
8	KIT – Spindle Seal & Bearing	-	700014	700014	700014	700014	700014
9	Seal – Grease	52	37729	37729	37729	37729	37729
10	Thrustwasher	56	33734	—	—	—	—
11	Spindle Nut or Nut & Pin Assy'	57	33732	660568	660568	660568	660568
12	Lockwasher	58	33733	620128	621028	621028	621028
13	Spindle Nut	59	33732	621027	621027	621027	621027
14	KIT – Unit Bearing & Seal	-	700154	700154	706948X	706948X	706948X
15	Seal – Oil	71	35938	35938	40773	40773	40773
16	Bearing	72	565909	565909	566121	566121	566121
17	Retainer – Brg Ring	N.I.	36121	36121	—	—	—
18	Retainer – Oil Seal	N.I.	620435	620435	—	—	—

Kits & Parts - Use With All Applications							
BILLS OF MATERIAL (Cont'd.)							
	610230	610232	610254	610304	610312	610439	610459
1	30764	30764	30764	30764	—	—	—
2	37308	37308	37308	37308	37308	—	—
3	37311	37311	37311	37311	37311	50381	50381
4	37312	37312	37312	37312	37312	—	—
5	500381-5	500381-5	500381-5	500381-5	500381-5	500381-5	—
6	620143-2	620143-2	620143-2	620143-2	620143-2	620143-2	—
7	620062	620062	620062	620062	620062	44506	44506
8	700014	700014	700014	700014	700014	708084	708084
9	37729	37729	37729	37729	37729	37729	37729
10	—	—	—	—	—	—	—
11	660568	660568	660568	660568	660568	660568	660568
12	621028	621028	621028	621028	621028	621028	621028
13	621027	621027	621027	621027	621027	621027	621027
14	706948X	706948X	706948X	706948X	706948X	706948X	706948X
15	40773	40773	40773	40773	40773	40773	40773
16	566121	566121	566121	566121	566121	566121	566121
17	—	—	—	—	—	—	—
18	—	—	—	—	—	—	—

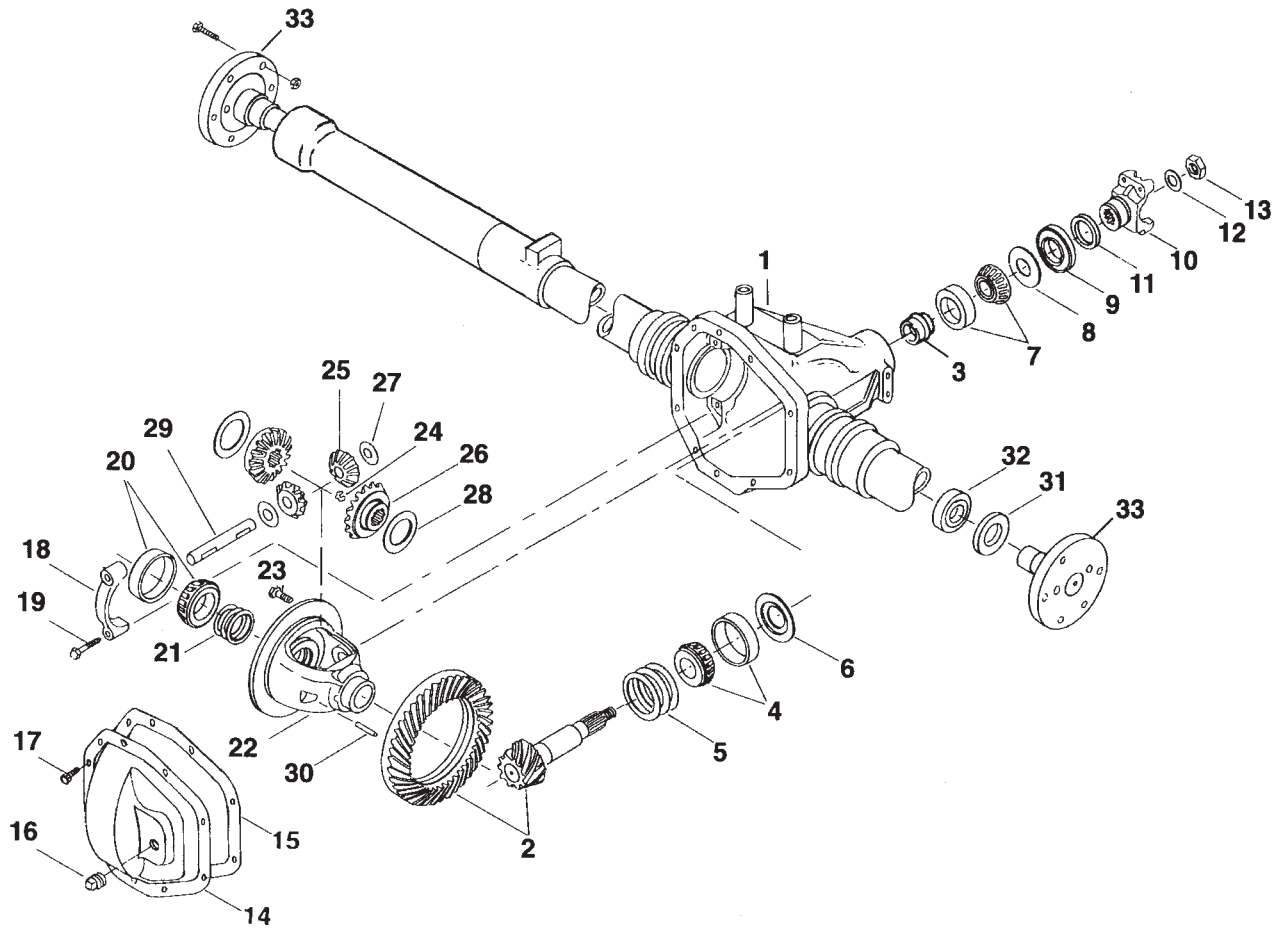
(See next page for additional bills of material)

MODEL 50 /229 IFS FRONT AXLES FOR FORD VARIABLE PARTS TABLE

Kits & Parts - Use With All Applications						
Description & Item Number (Refer to "Exploded View" on page 40)			Bills of Material			
			610609	610740		
1	Slinger Shim – Pinion Brg Inner	5	—	—		
2	Slinger	33	—	—		
3	Seal – Oil	34	50381	50381		
4	Spacer – Wheel Bearing Spindle	35	—	—		
5	Nut	45	—	—		
6	Screw – Stop	46	—	—		
7	Seal – Needle Bearing	48	44506	44506		
8	KIT – Spindle Seal & Bearing	-	708084	708084		
9	Seal – Grease	52	48816	48816		
10	Thrustwasher	56	—	—		
11	Spindle Nut or Nut & Pin Assy'	57	—	—		
12	Lockwasher	58	—	—		
13	Spindle Nut	59	—	—		
14	KIT – Unit Bearing & Seal	-	706948X	706948X		
15	Seal – Oil	71	40773	40773		
16	Bearing	72	566121	566121		
17	Retainer – Brg Ring	N.I.	—	—		
18	Retainer – Oil Seal	N.I.	—	—		

**MODEL 28 /174
FRONT AXLES for
AEROSTAR**

28 /174 FRONT FOR AEROSTAR EXPLODED VIEW



MODEL 28 /174 FRONT AXLES FOR AEROSTAR PARTS LISTING

ITEM NO.	PART NUMBER	DESCRIPTION
1	— ³	Housing – Axle Service
2	— ¹	Ring Gear & Pinion Kit
3	620878-1 707223X	Collapsible Spacer KIT – Diff & Pinion Adj Shim (inc 3, 5, 12, 13, 21, 24)
4	706123X	Inner Pinion Bearing Kit
5	— ⁴ 707222X	Inner Pinion Bearing Shims Kit-Inner Pinion Bearing Adj Shim (Inc. 3,5,12,13,24)
6	43734	Baffle
7	706894X	Outer Pinion Bearing Kit
8	36714	Slinger – Pinion Bearing Outer
9	40554	Seal – Pinion
10	2-1-2651X	Companion Flange Assy (inc 11)
11	232001	Slinger
12	30186	Washer – Pinion Nut
13	30185 707224X	Nut – Pinion KIT – Carrier Cover (inc. 14, 17)
14	43008	Cover – Carrier
15	38615	Sealant-RTV Silicone
16	41874	Plug – Carrier Cover
17	40286-5	Bolt – Carrier Cover (qty 10)
18	— ⁴	Cap – Differential Bearing
19	620752	Bolt – Differential Bearing Cap
20	706893X	Differential Bearing Kit
21	706896X	KIT-Diff Brg Adj Shim (inc 15 & 24)
22	— ⁴	Case – Differential (std)
23	41221	Bolt – Drive Gear (qty 10)
24	42570	Snap Ring
25	32926	Pinion – Differential
26	40380	Gear – Differential
27	34096	Thrustwasher – Diff Pinion
28	620875	Thrustwasher – Diff Gear
29	41648	Shaft – Differential
30	13449	Lock – Differential Shaft
31	45916	Seal – Oil
32	565987	Bearing
33	— ¹	RH/LH Shaft – Axle

¹ See “Bill of Material Table” on page 50

³ Contact Vehicle Manufacturer.

⁴ Not Sold Separately.

MODEL 28 /174 FRONT AXLES FOR AEROSTAR

BILL OF MATERIAL TABLE

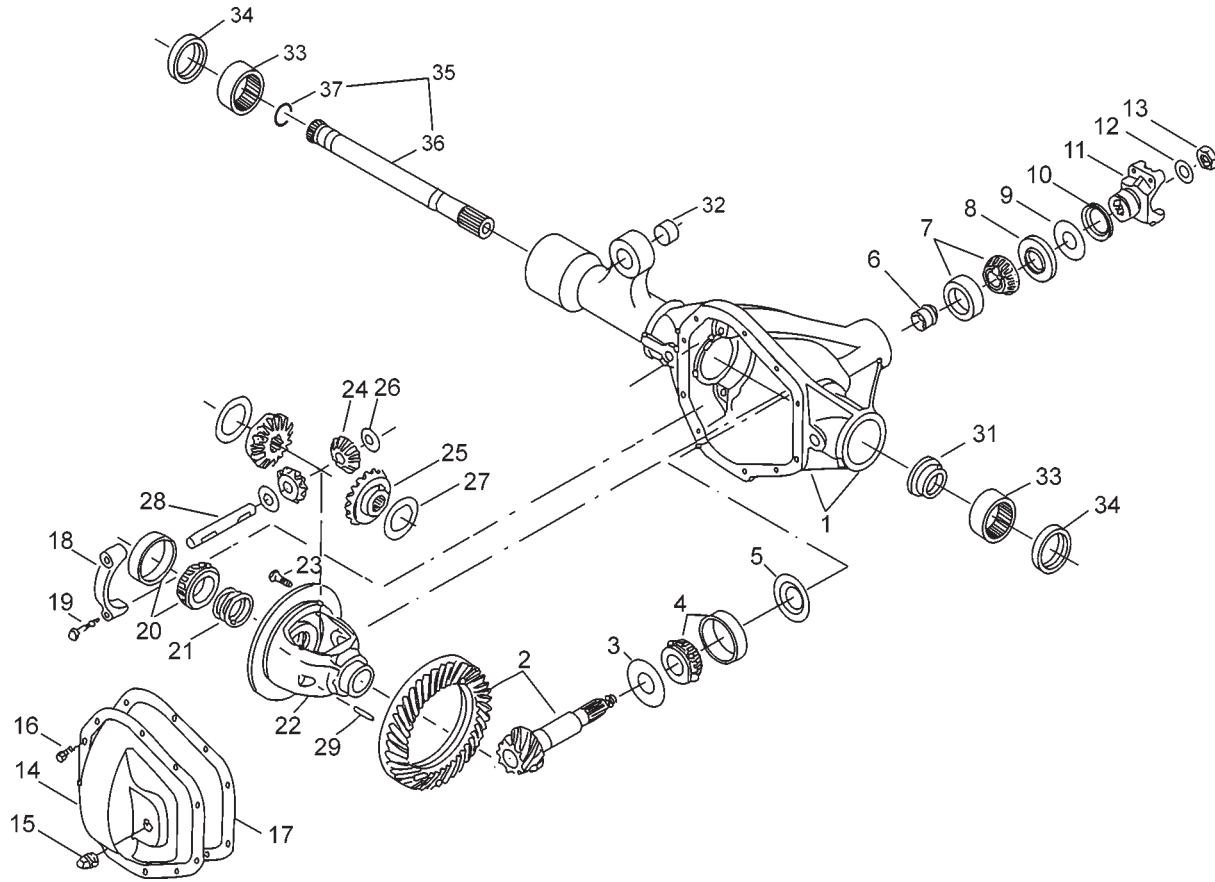
AXLE			AXLE KITS				SHAFT & JOINT ASSY.	
BILL OF MATERIAL	DIFF. TYPE	RATIO	RING GEAR & PINION KIT 6	DIFFERENTIAL			RIGHT HAND SHAFT ASSY.	LEFT HAND SHAFT ASSY.
				CASE ASSY. KIT 7	CASE KIT	INNER PARTS KIT		
1990-92 Aerostar								
610303-1	Standard	3.73	707221-1X	706974X	706975X	706890X	43159	43157
610303-2	Standard	3.27	707221-2X	706974X	706975X	706890X	43159	43157
1992 1/2 Aerostar								
610369-1	Standard	3.73	707221-1X	706974X	706975X	706890X	44102	44100
610369-2	Standard	3.27	707221-2X	706974X	706975X	706890X	44102	44100
1992 1/2-97 Aerostar								
610448-1	Standard	3.73	707221-1X	706974X	706975X	706890X	44102	44100
610448-2	Standard	3.27	707221-2X	706974X	706975X	706890X	44102	44100

⁶ See Ring Gear & Pinion Kits in XGI Catalog for ratio & tooth combinations.

⁷ See Differential Case Assy Kits in XGI Catalog for spline data & ratios.

**MODEL SUPER 30 /186
FRONT AXLES for
Explorer**

SUPER 30 /186 FRONT FOR EXPLORER EXPLODED VIEW



MODEL 30 SUPER FRONT AXLES FOR FORD PARTS LISTING

N.I. = Not Illustrated

ITEM NO.	PART NUMBER	DESCRIPTION
1	— ³	Housing – Axle Service
2	— ¹	Ring Gear & Pinion Kit
3	701112X	PKG – Pinion Adj Shim
4	706015X	Inner Pinion Bearing Kit
5	43599	Baffle – Pinion Oil
6	44228	Collapsible Spacer
7	706894X	Outer Pinion Bearing Kit
8	42778	Slinger – Outer Pinion Brg.
9	50501	Seal – Pinion
10	46914	Slinger – End Yoke
11	2-4-7881-1X	End Yoke Assembly (inc 10)
12	30186	Washer – Pinion Nut
13	30185	Nut – Pinion
	708103	KIT – Carrier Cover (inc 14,15,16)
14	50026	Cover – Carrier
15	43180	Plug – Carrier Cover
16	40286-5	Bolt – Carrier Cover (qty 10)
17	38615	RTV – Silicone Sealant
18	— ⁴	Cap – Differential Bearing
19	40284-1	Bolt – Differential Bearing
20	706016X	Differential Bearing Kit
21	701004X	PKG – Diff Adjustment Shim
22	— ⁴	Case – Differential
23	41221	Bolt – Drive Gear (qty 10)
24	32926	Pinion – Differential
25	48231	Gear – Differential
26	34096	Thrustwasher – Diff Pinion
27	40027	Thrustwasher – Diff Gear
28	41648	Shaft – Differential
29	13449	Lock – Differential Shaft
30	46065	Seal – Oil
31	566121	Bearing Assembly
32	47272	Bushing – Rubber
33	566063	Bearing Assembly
34	46066	Seal – Oil
35	80297	Shaft Assembly (inc 36 & 37)
36	49807	Shaft – Output
37	46072	Snap Ring
N.I.	— ³	Shaft & Joint Assembly – Axle

¹ See "Bill of Material Table" on page 54

³ Contact Vehicle Manufacturer.

⁴ Not Sold Separately.

MODEL 30 SUPER FRONT AXLES FOR FORD BILL OF MATERIAL TABLE

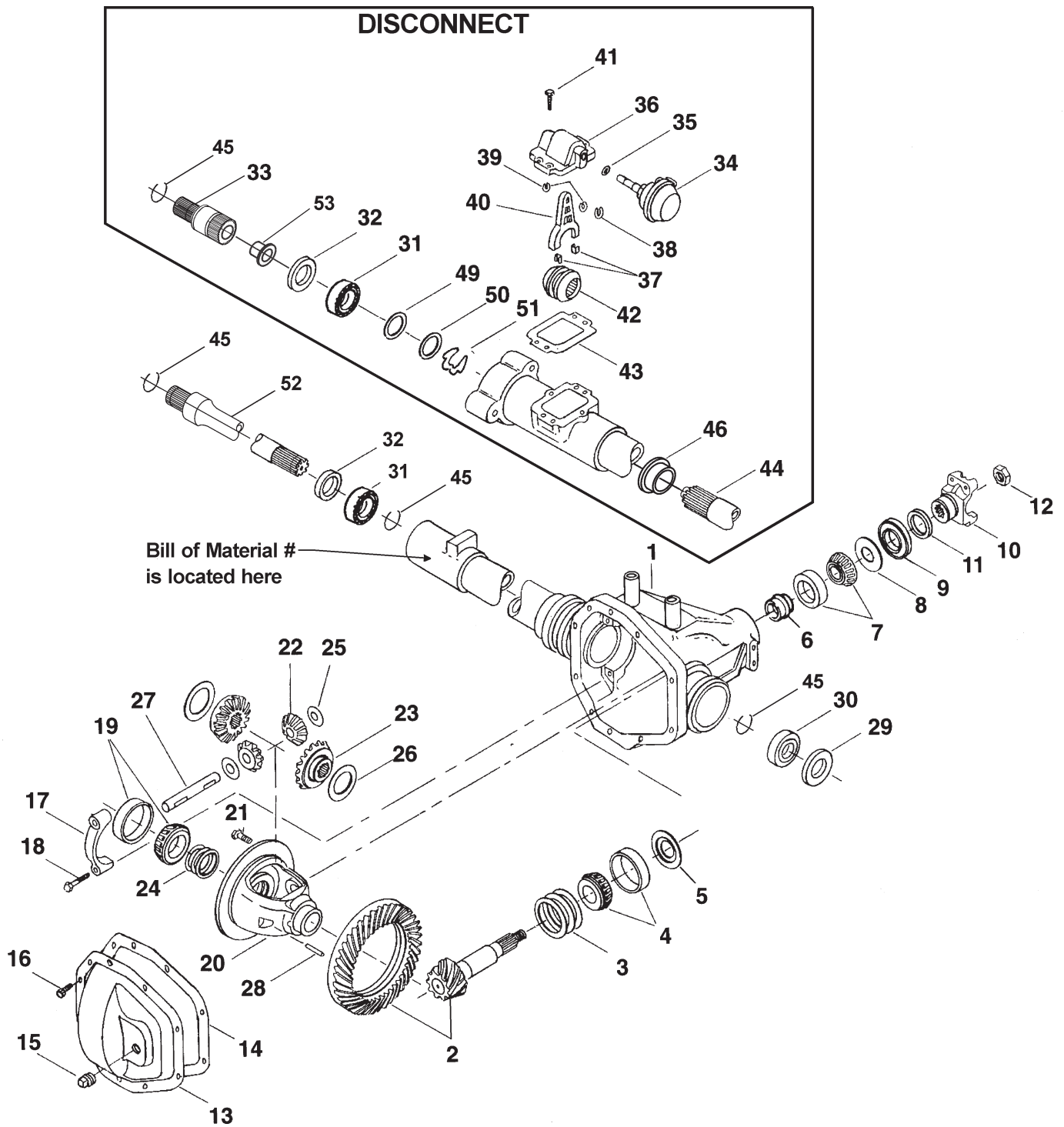
AXLE			AXLE KITS			
BILL OF MATERIAL	DIFF. TYPE	RATIO	RING GEAR & PINION KIT ⁶	DIFFERENTIAL		
				CASE ASSY. KIT ⁷	CASE KIT	INNER PARTS KIT
2001 Explorer						
610833-2	Standard	3.55	708098-2	708100	706007X	708102
610833-3	Standard	3.73	708098-3	708101	706008X	708102

⁶ See Ring Gear & Pinion Kits in XGI Catalog for ratio & tooth combinations.

⁷ See Differential Case Assy Kits in XGI Catalog for spline data & ratios.

**MODEL 35 /194
FRONT AXLES WITH CV JOINTS for
EXPLORER, RANGER & SPORT TRAC
PICK-UP**

35 /194 WITH CV JOINTS EXPLODED VIEW



MODEL 35 /194 FRONT WITH CV JOINTS FOR FORD PARTS LISTING

ITEM NO.	PART NUMBER	DESCRIPTION	ITEM NO.	PART NUMBER	DESCRIPTION
1	— ³	Housing – Axle Service	29	46065	Seal – Oil
2	— ¹	Ring Gear & Pinion Kit	30	566121	Bearing
3	701130X	PKG – Pinion Adj Shim	31	566063	Bearing (Discon/Non-Discon)
4	707162X	Inner Pinion Bearing Kit	32	46066	Seal – Oil (Discon/Non-Discon)
5	— ²	Baffle – Pinion Oil	33	75117X	Shaft-Axle Assy (Discon)(inc 45,53)
6	42102	Collapsible Spacer		75118X	Cover & Motor Assembly (Discon)
7	706894X	Outer Pinion Bearing Kit			(inc. 34, 35, 36, 37, 38, 39, 40)
8	42778	Slinger – Outer Pinion Brg.	34	— ⁴	Motor Assembly
9	51501	Seal – Pinion	35	— ⁴	O-Ring
10	2-4-6901-1X	End Yoke Assembly (inc 11)	36	— ⁴	Cover – Disconnect Hsg.
11	42779	Slinger – End Yoke	37	621059	Clips – Shift Fork
12	44189	Nut – Pinion	38	— ⁴	Snap Ring
13	47446	Cover – Carrier	39	620979	Snap Ring
14	38615	RTV Silicone Sealant	40	42585	Shift Fork
15	43180	Plug – Carrier Cover	41	46071	Bolt – Cover & Motor Assy'
16	40286-5	Bolt – Carrier Cover (qty 10)	42	42998	Clutch Collar (Discon)
17	— ⁴	Cap – Differential Bearing	43	46220	Gasket (Discon)
18	40284-1	Bolt – Differential Bearing	44	46068	Shaft – Output(Discon)
19	706016X	Differential Bearing Kit	45	46072	Snap Ring
20	— ⁴	Case – Differential	46	43342	Bushing (Discon)
21	41221	Bolt – Drive Gear (qty 8)	N.I.	42499-2	Bolt (Discon)
22	46504	Pinion – Differential	N.I.	46077	Protection Shield (Discon)
23	46502	Gear – Differential	49	46075	Thrustwasher (Discon)
24	701004X	Pkg. – Differential Adj Shim	50	46076	Thrustwasher (Discon)
25	34096	Thrustwasher – Diff Pinion	51	46073	Snap Ring (Discon)
26	— ²	Thrustwasher – Diff Gear	52	80297	Shaft Assy.(Non-Discon)(inc 45)
27	41648	Shaft – Differential	53	43337	Bushing (Discon)
28	13449	Lock – Differential Shaft			

N.I. = Not Illustrated

1 See "Bill of Material Table" on page 58

2 See "Variable Parts Table" on page 60

3 Contact Vehicle Manufacturer.

4 Not Sold Separately.

MODEL 35 /194 FRONT WITH CV JOINTS FOR FORD

BILL OF MATERIAL TABLE

AXLE			AXLE KITS			
BILL OF MATERIAL	DIFF. TYPE	RATIO	RING GEAR & PINION KIT ⁵	DIFFERENTIAL		
				CASE ASSY. KIT ⁶	CASE KIT	INNER PARTS KIT
1995 Explorer - Disconnect - CV						
610476-1	Standard	3.27	707359-1X	707342X	707360X	707343X
610476-2	Standard	3.55	707359-2X	707342X	707360X	707343X
610476-3	Standard	3.73	707359-3X	707342X	707360X	707343X
610476-4	Standard	4.10	707359-4X	707342X	707360X	707343X
1995-96 Explorer - Disconnect - CV						
610581-1	Standard	3.27	707359-1X	707378X	707360X	707379X
610581-2	Standard	3.55	707359-2X	707378X	707360X	707379X
610581-3	Standard	3.73	707359-3X	707378X	707360X	707379X
610581-4	Standard	4.10	707359-4X	707378X	707360X	707379X
1995-96 Explorer - Disconnect - CV						
610582-1	Standard	3.27	707359-1X	707378X	707360X	707379X
610582-2	Standard	3.55	707359-2X	707378X	707360X	707379X
610582-3	Standard	3.73	707359-3X	707378X	707360X	707379X
610582-4	Standard	4.10	707359-4X	707378X	707360X	707379X
1996 Explorer - Non-Disconnect - CV						
610585-1	Standard	3.73	707359-3X	707378X	707360X	707379X
1996 Explorer - Non-Disconnect - CV						
610586-1	Standard	3.73	707359-3X	707378X	707360X	707379X
1997 1/2 Explorer - Non-Disconnect - CV						
610644-1	Standard	3.27	707359-1X	707378X	707360X	707379X
610644-2	Standard	3.55	707359-2X	707378X	707360X	707379X
610644-3	Standard	3.73	707359-3X	707378X	707360X	707379X
610644-4	Standard	4.10	707359-4X	707378X	707360X	707379X
1998 Explorer - Non-Disconnect - CV						
610556-1	Standard	3.27	707359-1X	707378X	707360X	707379X
610556-3	Standard	3.73	707359-3X	707378X	707360X	707379X
610556-4	Standard	4.10	707359-4X	707378X	707360X	707379X
610556-5	Standard	4.56	707359-5X	707378X	707360X	707379X
1998-2000 Explorer/Ranger - Non-Disconnect - CV						
610642-1	Standard	3.27	707359-1X	707378X	707360X	707379X
610642-2	Standard	3.55	707359-2X	707378X	707360X	707379X
610642-3	Standard	3.73	707359-3X	707378X	707360X	707379X
610642-4	Standard	3.73	707359-4X	707378X	707360X	707379X

⁵ See Ring Gear & Pinion Kits in XGI Catalog for ratio & tooth combinations.

⁶ See Differential Case Assy Kits in XGI Catalog for spline data & ratios.

MODEL 35 /194 FRONT WITH CV JOINTS FOR FORD BILL OF MATERIAL TABLE

AXLE			AXLE KITS			
BILL OF MATERIAL	DIFF. TYPE	RATIO	RING GEAR & PINION KIT ⁵	DIFFERENTIAL		
				CASE ASSY. KIT ⁶	CASE KIT	INNER PARTS KIT
1998-98 1/2 Explorer - Non-Disconnect - CV						
610643-1	Standard	3.27	707359-1X	707378X	707360X	707379X
610643-3	Standard	3.73	707359-3X	707378X	707360X	707379X
610643-4	Standard	4.10	707359-4X	707378X	707360X	707379X
610643-5	Standard	4.56	707359-5X	707378X	707360X	707379X
610645-1	Standard	3.27	707359-1X	707378X	707360X	707379X
610645-2	Standard	3.55	707359-2X	707378X	707360X	707379X
610645-3	Standard	3.73	707359-3X	707378X	707360X	707379X
610645-4	Standard	4.10	707359-4X	707378X	707360X	707379X
1999 Explorer - Non-Disconnect - CV						
610774-1	Standard	3.27	707359-1X	707378X	707360X	707379X
610774-2	Standard	3.55	707359-2X	707378X	707360X	707379X
610774-3	Standard	3.73	707359-3X	707378X	707360X	707379X
610774-4	Standard	4.10	707359-4X	707378X	707360X	707379X
2000 Sport Trac Pick-Up - CV						
611044-1	Standard	3.73	707359-3X	707378X	707360X	707379X
611044-2	Standard	4.10	707359-4X	707378X	707360X	707379X
2001 Ranger - CV						
611053-1	Standard	4.56	707359-5X	707378X	707360X	707379X

⁵ See Ring Gear & Pinion Kits in XGI Catalog for ratio & tooth combinations.

⁶ See Differential Case Assy Kits in XGI Catalog for spline data & ratios.

MODEL 35 /194 FRONT WITH CV JOINTS FOR FORD VARIABLE PARTS TABLE

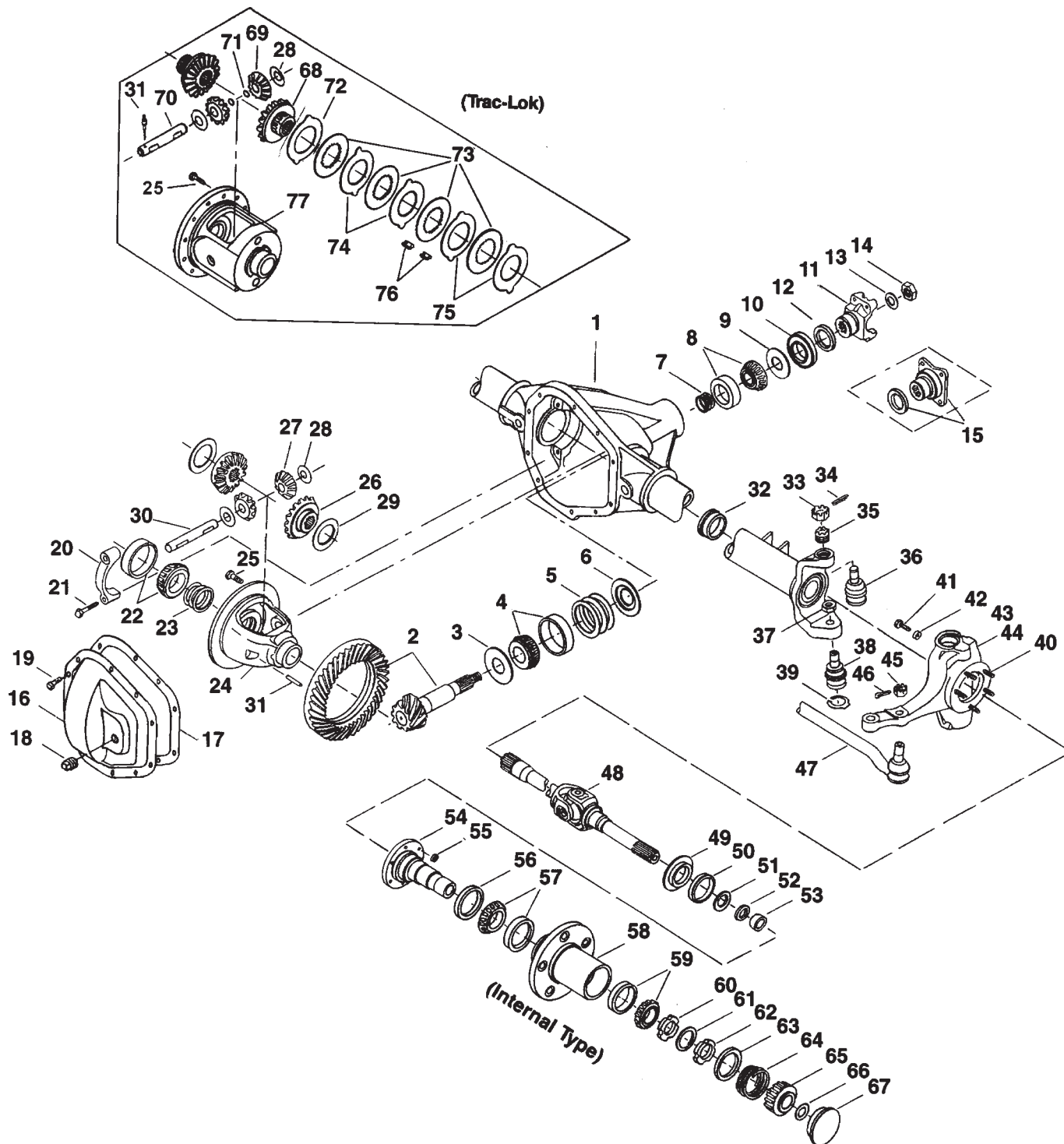
Kits & Parts - Use With All Applications							
Description & Item Number (Refer to "Exploded View" on page 56)			Bills of Material				
			610476	610556	610581	610582	610585
1	Baffle – Pinion Oil	5	—	43599	43599	43599	—
2	Thrustwasher – Diff Gear	26	40027	34095	34095	34095	34095

Kits & Parts - Use With All Applications							
BILLS OF MATERIAL (Cont'd.)							
	610586	610642	610643	610644	610645	610774	611044
1	43599	43599	43599	43599	43599	43599	43599
2	34095	34095	34095	34095	34095	34095	34095

Kits & Parts - Use With All Applications							
BILLS OF MATERIAL (Cont'd.)							
	611053						
1	43599						
2	34095						

**MODEL 44 /216
FRONT AXLES for
F-150 & F-250**

44 /216 FRONT EXPLODED VIEW



MODEL 44 FRONT AXLES FOR FORD PARTS LISTING

ITEM NO.	PART NUMBER	DESCRIPTION	ITEM NO.	PART NUMBER	DESCRIPTION
1	— ³	Housing – Axle Service	30	17878	Shaft – Differential (std)
2	— ¹	Drive Gear & Pinion Kit	31	13449	Lock – Differential Shaft
3	30764	Slinger – Pinion Bearing Inner	32	— ²	Seal & Guide Tube
4	706031X	Inner Pinion Bearing Kit		— ²	KIT – Right Knuckle Assy
	706376X	KIT – Diff & Pinion Adj Shim (inc 5, 7, 12, 13, 16, 22)		— ²	(inc 32,33,34,35,36,37,38,39,42)
	706358X	KIT – Pinion Brg Adj Shim (inc 5, 7, 12, 13, 16)		706116X	KIT – Left Knuckle Assy (inc 35,37,38,39,43)
5	— ⁴	Inner Pinion Adj Shims (See Kits – 706376X & 706358X)	33	44101	KIT – Socket Assembly (inc 32,33,34,35,36,37,38)
6	30765	Baffle – Pinion Bearing	34	500024-8	Nut – Hex Slotted
7	— ⁴	Outer Pinion Adj Shims (See Kits – 706376X & 706358X)	35	35417	Pin – Cotter
8	706030X	Outer Pinion Bearing Kit	36	40112	Ring – Adjusting Split
9	13575	Slinger – Pinion Bearing Outer	37	35566	Socket Assembly – Upper
10	39118	Seal – Pinion	38	40113	Nut – Hex Jam
11	2-4-3581X	End Yoke or Assembly (inc 12)	39	35928	Socket Assembly – Lower
12	41498	Slinger – End Yoke	40	37759-2	Snap Ring
13	30186	Washer – Pinion Nut	41	31026-1	Bolt – Hex (qty 5)
14	30185	Nut – Pinion	42	500381-3	Screw – Stop
15	— ³	Companion Flange Assembly	43	— ²	Nut – Jam
	706115X	KIT – Carrier Cover (inc items 16, 17, 18, 19)	44	— ²	Right Knuckle
16	620195	Cover – Carrier	45	— ³	Left Knuckle
17	34685	Gasket – Carrier Cover	46	— ³	Nut – Hex Slotted
18	36472	Plug – Carrier Cover	47	— ³	Pin – Cotter
19	34279	Bolt – Carrier Cover	48	— ¹	Tie Rod Assembly
20	— ³	Cap – Differential Bearing	49	36364	Shaft & Joint Assembly
21	48632-1	Bolt – Differential Bearing Cap		706527X	Slinger – Spindle Yoke
22	706032X	Differential Bearing Kit		— ²	KIT – Spindle Seal & Bearing (Inc items 50, 51, 52, 53)
23	706086X	KIT – Diff Brg Adj Shim (inc 16)	50	38128	KIT – Spindle
24	— ⁴	Case – Differential (std)	51	36361	Seal – Oil
25	41221	Bolt – Drive Gear (qty 10)	52	38106	Seal – Oil (block vee)
26	31487	Gear – Differential (std)	53	550759	Spacer – Wheel Bearing Spindle
27	17717	Pinion – Differential (std)	54	— ²	Bearing Assembly – Needle
28	13338-3	Thrustwasher – Diff Pinion (std)	55	— ³	Spindle – Wheel Bearing
29	32121	Thrustwasher – Diff Gear (std)	56	36366	Nut – Brake Mounting
			57	— ²	Seal – Oil
					Inner Wheel Bearing Kit

1 See "Bill of Material Table" on page 65

2 See "Variable Parts Table" on page 66

3 Contact Vehicle Manufacturer.

4 Not Sold Separately.

MODEL 44 FRONT AXLES FOR FORD PARTS LISTING

ITEM NO.	PART NUMBER	DESCRIPTION
58	— ³	Hub – Wheel
59	706111X	Outer Wheel Bearing Kit
60	21588X	Nut & Pin Assembly – Inner Lock
61	36569	Lock – Retaining Nut
62	31139	Nut – Wheel Bearing Adjusting
63	32589	Plate – Spring Retaining
64	35218	Spring – Pressure
65	31125	Gear – Axle Drive
66	620147	Snap Ring
67	36858	Cap – Hub
68	35657	Gear – Differential (t/l)
69	32808	Pinion – Differential (t/l)
70	39194	Shaft – Differential (t/l)
71	42570	Ring – Snap
	706352X	KIT – Diff Plate & Disc (t/l) (inc 72, 73, 74, 75, 76)
72	— ⁴	Plate – Preload Spacer
73	— ⁴	Disc – Differential
74	— ⁴	Plate – Differential
75	— ⁴	Plate – Differential Pressure
76	40835	Clip – Diff Clutch Retainer
77	— ⁴	Case – Differential (t/l)
	— ³	Hub Lock

³ Contact Vehicle Manufacturer.

⁴ Not Sold Separately.

MODEL 44 FRONT AXLES FOR FORD

BILL OF MATERIAL TABLE

AXLE			AXLE KITS				SHAFT & JOINT ASSY.	
BILL OF MATERIAL	DIFF. TYPE	RATIO	RING GEAR & PINION KIT 6	DIFFERENTIAL			RIGHT HAND SHAFT ASSY.	LEFT HAND SHAFT ASSY.
				CASE ASSY. KIT 7	CASE KIT	INNER PARTS KIT		
1979 F-150 1/2 Ton Pick-Up (Full Time Transfer Case)								
610066-1	Standard	3.00	707240-2X	706020X	706024X	706027X	660124-1	660124-2
610066-2	Standard	3.50	707240-5X	706020X	706024X	706027X	660124-1	660124-2
610066-3	Standard	4.09	707240-9X	706021X	706025X	706027X	660124-1	660124-2
610066-4	Standard	4.09	707240-9X	706021X	706025X	706027X	660124-1	660124-2
610066-5	Standard	3.50	707240-5X	706020X	706024X	706027X	660124-1	660124-2
610066-6	Standard	3.00	707240-2X	706020X	706024X	706027X	660124-1	660124-2
610066-7	Trac Lok	3.50	707240-5X	707115X	707116X	707026X	660124-1	660124-2
1979 F-150 1/2 Ton Pick-Up (Part-Time Transfer Case)								
610067-1	Standard	3.00	707240-2X	706020X	706024X	706027X	660124-1	660124-2
610067-2	Standard	3.50	707240-5X	706020X	706024X	706027X	660124-1	660124-2
610067-3	Standard	4.09	707240-9X	706021X	706025X	706027X	660124-1	660124-2
610067-4	Trac Lok	3.50	707240-5X	707115X	707116X	706026X	660124-1	660124-2
610067-5	Trac Lok	3.50	707240-5X	707115X	707116X	706026X	660106-1	660106-2
610067-6	Trac Lok	4.09	707240-9X	707150X	707151X	706026X	660124-1	660124-2
1979 F-150 Super Cab								
610068-1	Standard	3.50	707240-5X	706020X	706024X	706027X	660124-3	660124-4
610068-2	Standard	3.50	707240-5X	706020X	706024X	706027X	660124-3	660124-4
610068-3	Standard	4.09	707240-9X	706021X	706025X	706027X	660124-3	660124-4
610068-4	Standard	4.09	707240-9X	706021X	706025X	706027X	660124-3	660124-4
610068-5	Trac Lok	3.50	707240-5X	707115X	707116X	706026X	660124-3	660124-4
1979 F-250								
610069-1	Standard	3.54	707240-6X	706020X	706024X	706027X	660124-3	660124-4
610069-2	Standard	3.54	707240-6X	706020X	706024X	706027X	660124-3	660124-4
610069-3	Standard	4.09	707240-9X	706021X	706025X	706027X	660124-3	660124-4
610069-4	Standard	4.09	707240-9X	706021X	706025X	706027X	660124-3	660124-4
610069-5	Standard	3.54	707240-6X	706020X	706024X	706027X	660124-3	660124-4
610069-6	Standard	3.54	707240-6X	706020X	706024X	706027X	660124-3	660124-4
610069-7	Standard	4.09	707240-9X	706021X	706025X	706027X	660124-3	660124-4
610069-8	Standard	4.09	707240-9X	706021X	706025X	706027X	660124-3	660124-4
610069-9	Standard	4.09	707240-9X	706021X	706025X	706027X	660106-3	660106-4
610069-10	Trac Lok	3.54	707240-6X	707115X	707116X	706026X	660124-3	660124-4
610069-11	Trac Lok	4.09	707240-9X	707150X	707151X	706026X	660124-3	660124-4
610069-12	Standard	3.54	707240-6X	706020X	706024X	706027X	660106-3	660106-4

6 See Ring Gear & Pinion Kits in XGI Catalog for ratio & tooth combinations.

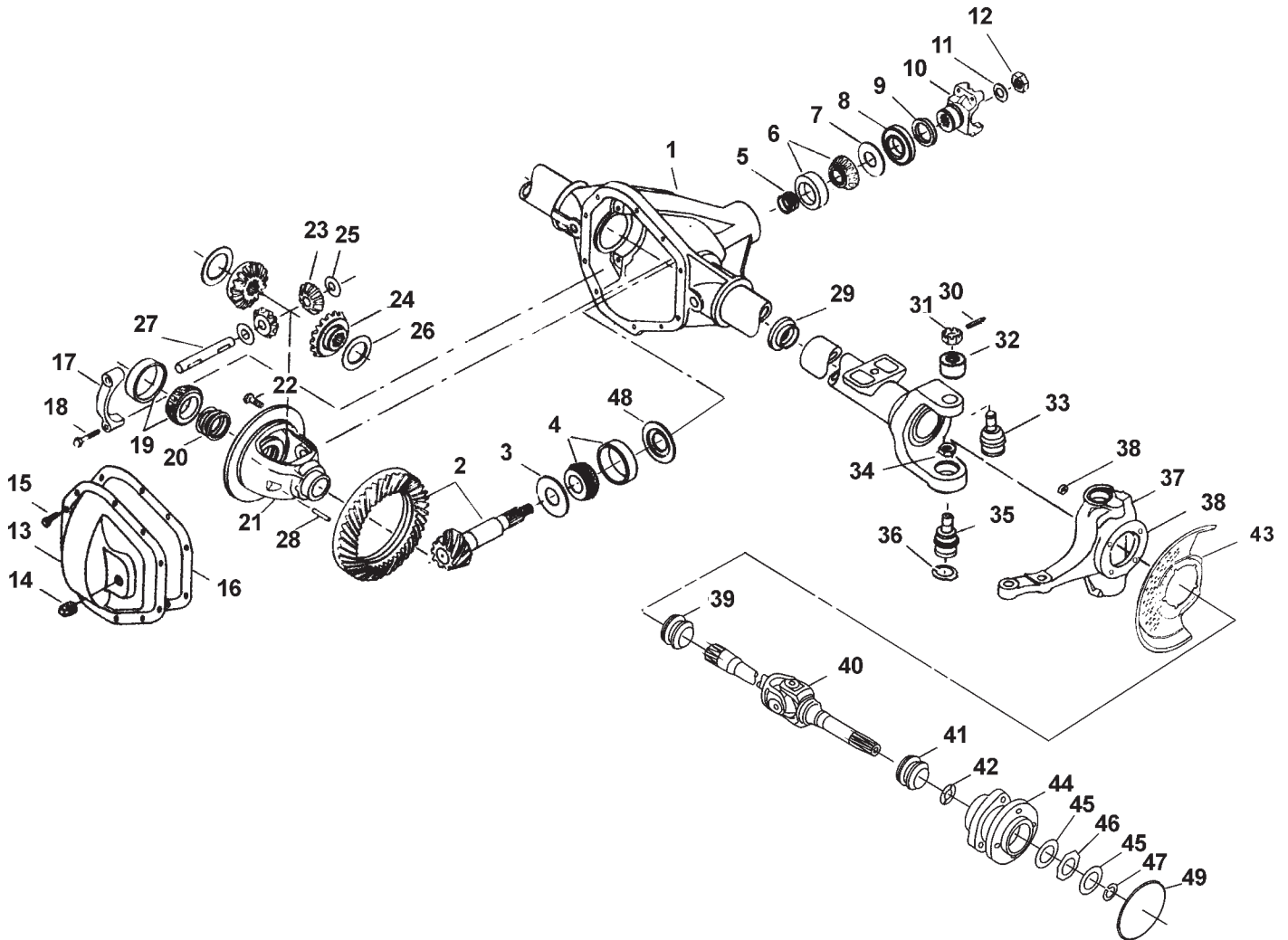
7 See Differential Case Assy Kits in XGI Catalog for spline data & ratios.

MODEL 44 FRONT AXLES FOR FORD VARIABLE PARTS TABLE

Kits & Parts - Use With All Applications						
Description & Item Number (Refer to "Exploded View" on page 62)			Bills of Material			
			610066	610067	610068	610069
1	Seal & Guide Tube	32	620257-2	620257-2	620216	620216
2	KIT – Right Knuckle Assy	-	700035	700035	700001	700010
3	KIT – Left Knuckle Assy	-	660108	660108	660025	660032
4	Right Knuckle	43	620161	620161	620037	620045
5	Left Knuckle	44	620162	620162	620038	620046
6	KIT – Spindle	-	706552X	706552X	706552X	700004
7	Spindle – Wheel Bearing	54	38421	38421	38421	620006
8	Inner Wheel Bearing Kit	57	706110X	706110X	706110X	706074X

**MODEL 50 /229
FRONT AXLES for
F-250 & F-350**

50 /229 FRONT EXPLODED VIEW



MODEL 50 /229 FRONT AXLES FOR FORD PARTS LISTING

ITEM NO.	PART NUMBER	DESCRIPTION	ITEM NO.	PART NUMBER	DESCRIPTION
1	— ³	Housing – Axle Service	27	620414	Shaft – Differential
2	— ¹	Ring Gear & Pinion Kit	28	44810	Lock – Differential
3	701112X	PKG. – Inner Pinion Adj. Shim	29	48773	Seal – Oil
	701160X	PKG. – Diff & Pinion Shim		700238-1X	KIT – Socket Assembly (inc 30,31,32,33,34,35,36)
4	706015X	Inner Pinion Bearing Kit	30	500024-8	Pin – Cotter
5	44896	Collapsible Spacer	31	44101	Nut – Slotted
6	706030X	Outer Pinion Bearing Kit	32	44507	Bushing
7	13575	Slinger -Outer Pinion Bearing	33	47184	Upper Socket Assy
8	— ²	Seal – Pinion	34	44133	Nut – Lock
9	47762	Seal – End Yoke	35	47185	Lower Socket Assy
10	3-4-13761-1	End Yoke Assembly	36	620343	Snap Ring
11	30186	Washer – Pinion Nut	37	— ³	Knuckle (LH/RH)
12	30185	Nut – Pinion	38	48660	Nut – Knuckle
13	47707-1	Cover – Carrier	39	50381	Oil Seal
14	43180	Plug – Carrier	40	— ¹	Shaft & Joint Assembly
15	47508	Bolt – Carrier (qty 9)	41	50491	Oil Seal
16	38615	RTV Silicone Sealant	42	47766	Thrustwasher
17	— ³	Cap – Differential Bearing	43	47758	Dust Shield
18	48632-1	Bolt – Diff Bearing Cap	44	— ³	Hub Assembly
19	700097	Differential Bearing Kit		701166X	PKG – Thrustwashers (inc 45,46)
20	701006X	PKG – Differential Adj. Shim	45	47760	Thrustwasher
21	— ¹	Case – Differential	46	47759	Thrustwasher
22	45784	Bolt – Drive Gear (qty 10)	47	620142	Snap Ring
23	620436	Pinion – Differential	48	47742	Baffle – Pinion Bearing
24	40432	Gear – Differential	49	41784-2	O-Ring
25	620439	Thrustwasher – Diff Pinion			
26	50718	Thrustwasher – Diff Gear			

1 See “Bill of Material Table” on page 70

2 See “Variable Parts Table” on page 72

3 Contact Vehicle Manufacturer.

4 Not Sold Separately.

MODEL 50 /229 FRONT AXLES FOR FORD

BILL OF MATERIAL TABLE

AXLE			AXLE KITS				SHAFT & JOINT ASSY.	
BILL OF MATERIAL	DIFF. TYPE	RATIO	RING GEAR & PINION KIT ⁶	DIFFERENTIAL			RIGHT HAND SHAFT ASSY.	LEFT HAND SHAFT ASSY.
				CASE ASSY. KIT ⁷	CASE KIT	INNER PARTS KIT		
1998 1/2-99 F-250/350 SRW (4x4) ABS								
610654-1	Standard	3.73	76127-5X ⁸	707459X	706917X	706916X	76110-1X	76110-2X
610654-2	Standard	4.10	660319-5 ⁸	707459X	706917X	706916X	76110-1X	76110-2X
610654-3	Standard	4.30	76136-5X ⁸	707459X	706917X	706916X	76110-1X	76110-2X
1998 1/2-99 F-250/350 SRW (4x4)								
610659-1	Standard	3.73	76127-5X ⁸	707459X	706917X	706916X	76110-1X	76110-2X
610659-2	Standard	4.10	660319-5 ⁸	707459X	706917X	706916X	76110-1X	76110-2X
610659-3	Standard	4.30	76136-5X ⁸	707459X	706917X	706916X	76110-1X	76110-2X
1999 1/2-2000 F-250/350 SRW (4x4)								
610892-1	Standard	3.73	76127-5X ⁸	707459X	706917X	706916X	76110-1X	76110-2X
610892-2	Standard	4.10	660319-5 ⁸	707459X	706917X	706916X	76110-1X	76110-2X
610892-3	Standard	4.30	76136-5X ⁸	707459X	706917X	706916X	76110-1X	76110-2X
1999 1/2-2000 F-250/350 SRW (4x4) ABS								
610893-1	Standard	3.73	76127-5X ⁸	707459X	706917X	706916X	76110-1X	76110-2X
610893-2	Standard	4.10	660319-5 ⁸	707459X	706917X	706916X	76110-1X	76110-2X
610893-3	Standard	4.30	76136-5X ⁸	707459X	706917X	706916X	76110-1X	76110-2X
2000 F250/350 Excursion SRW (4x4) ABS								
610979-1	Standard	3.73	76127-5X ⁸	707459X	706917X	706916X	76110-1X	76110-2X
610979-2	Standard	4.10	660319-5 ⁸	707459X	706917X	706916X	76110-1X	76110-2X
610979-3	Standard	4.30	76136-5X ⁸	707459X	706917X	706916X	76110-1X	76110-2X
2000 F-250/350 SRW (4x4) ABS								
611071-1	Standard	3.73	708122-1 ⁸	707459X	706917X	706916X	76110-1X	76110-2X
611071-2	Standard	4.10	708122-2 ⁸	707459X	706917X	706916X	76110-1X	76110-2X
611071-3	Standard	4.30	708122-3 ⁸	707459X	706917X	706916X	76110-1X	76110-2X
2000 1/2 F-250/350 SRW (4x4)								
610992-1	Standard	3.73	76127-5X ⁸	707459X	706917X	706916X	76110-1X	76110-2X
610992-2	Standard	4.10	660319-5 ⁸	707459X	706917X	706916X	76110-1X	76110-2X
610992-3	Standard	4.30	76136-5X ⁸	707459X	706917X	706916X	76110-1X	76110-2X
2000 1/2 F-250/350 SRW (4x4) ABS								
610993-1	Standard	3.73	76127-5X ⁸	707459X	706917X	706916X	76110-1X	76110-2X
610993-2	Standard	4.10	660319-5 ⁸	707459X	706917X	706916X	76110-1X	76110-2X
610993-3	Standard	4.30	76136-5X ⁸	707459X	706917X	706916X	76110-1X	76110-2X

⁶ See Ring Gear & Pinion Kits in XGI Catalog for ratio & tooth combinations.

⁷ See Differential Case Assy Kits in XGI Catalog for spline data & ratios.

⁸ Gear set includes ring, pinion and drive gear screws.

MODEL 50 /229 FRONT AXLES FOR FORD

BILL OF MATERIAL TABLE

AXLE			AXLE KITS				SHAFT & JOINT ASSY.	
BILL OF MATERIAL	DIFF. TYPE	RATIO	RING GEAR & PINION KIT 6	DIFFERENTIAL			RIGHT HAND SHAFT ASSY.	LEFT HAND SHAFT ASSY.
				CASE ASSY. KIT 7	CASE KIT	INNER PARTS KIT		
2000 1/2 F250/350 Excursion SRW (4x4) ABS								
610999-1	Standard	3.73	76127-5X 8	707459X	706917X	706916X	76110-1X	76110-2X
610999-2	Standard	4.10	660319-5 8	707459X	706917X	706916X	76110-1X	76110-2X
610999-3	Standard	4.30	76136-5X 8	707459X	706917X	706916X	76110-1X	76110-2X
2001 F-250/350 SRW (4x4)								
611194-1	Standard	3.73	76127-1X 8	707459X	706917X	706916X	76110-1X	76110-2X
611194-2	Standard	4.10	660319-5 8	707459X	706917X	706916X	76110-1X	76110-2X
611194-3	Standard	4.30	76136-5X 8	707459X	706917X	706916X	76110-1X	76110-2X

6 See Ring Gear & Pinion Kits in XGI Catalog for ratio & tooth combinations.

7 See Differential Case Assy Kits in XGI Catalog for spline data & ratios.

8 Gear set includes ring, pinion and drive gear screws.

MODEL 50 /229 FRONT AXLES FOR FORD VARIABLE PARTS TABLE

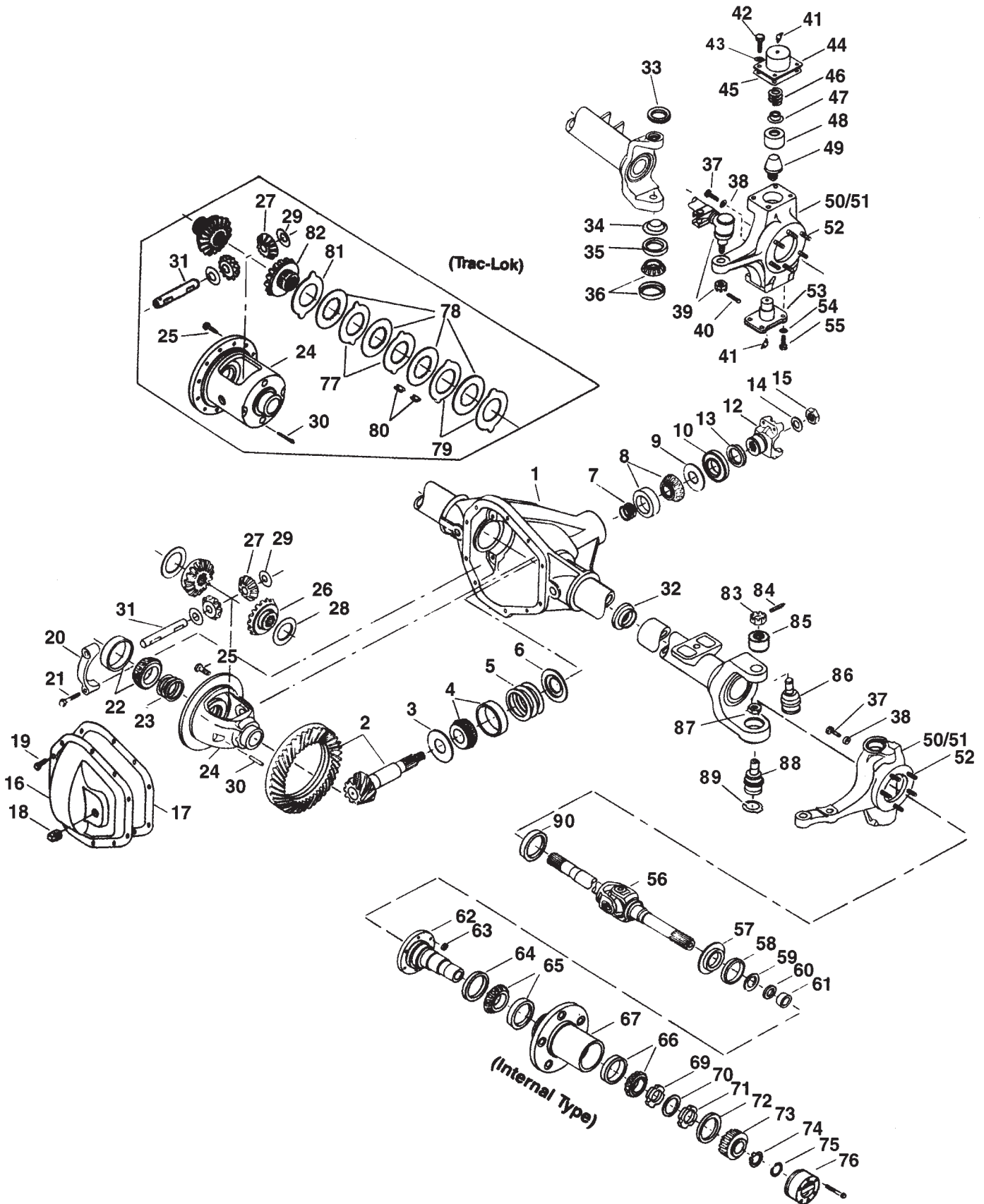
Kits & Parts - Use With All Applications						
Description & Item Number (Refer to "Exploded View" on page 68)		Bills of Material				
		610654	610659	610892	610893	610979
1	Seal – Pinion	8	47761 ³	47761 ³	47761 ³	47761 ³

Kits & Parts - Use With All Applications						
BILLS OF MATERIAL (Cont'd.)						
	610992	610993	610999	611071	611194	
1	47761 ³	47761 ³	47761 ³	50531	50531	

³ Contact Vehicle Manufacturer.

**MODEL 60 /248
FRONT AXLES for
F-250 & F350**

60 /248 FRONT EXPLODED VIEW



MODEL 60 FRONT AXLES FOR FORD PARTS LISTING

ITEM NO.	PART NUMBER	DESCRIPTION	ITEM NO.	PART NUMBER	DESCRIPTION
1	— ³	Housing – Axle Service	34	37305	Retainer – Grease
2	— ¹	Drive Pinion & Gear Kit	35	41777	Seal – Oil
3	34643	Slinger – Inner Pinion	36	706150X	Kit – Bearing – King Pin – Lower
4	706046X	Inner Pinion Bearing	37	— ²	Screw – Stop
5	—	Inner Pinion Adj Shims	38	— ²	Nut – Hex Jam
	706375X	KIT – Diff & Pinion Adj Shim (inc items 5, 7, 14, 15, 17, 23)	39	— ³	Tie Rod Assembly
6	30982	Baffle – Pinion Bearing	40	— ³	Pin – Cotter
	706359X	KIT – Pinion Adj Shim (inc items 5, 7, 14, 15, 17)	41	500175-1	Fitting – Lubrication
7	—	Outer Pinion Adj Shims (See Kits – 706375X & 706359X)	42	30875	Nut – Hex Tapered
8	706045X	Kit – Outer Pinion Bearing	43	— ³	Lockwasher (King Pin Cap – Upper)
9	42737	Thrustwasher – Bearing	44	620083	Arm – Steering (LH only)
10	— ²	Seal – Pinion		620132	Cap – King Pin – Upper (RH only)
11	— ²	Seal Pkg.- End Yoke (inc 10 & 13)	45	37307	Gasket – King Pin Cap
12	— ²	End Yoke or Assembly (inc 13)	46	37300	Spring – Pressure
13	— ²	Slinger – End Yoke	47	620180	Retainer – Spring
14	30275	Washer – Pinion Nut	48	41886	Bushing – King Pin
15	30271	Nut – Pinion	49	37302	Pin – King
	— ²	KIT – Carrier Cover (inc 16, 18, 19)	50	— ³	Right Knuckle
16	— ²	Cover – Carrier	51	— ³	Left Knuckle
17	34687	Gasket – Carrier Cover	52	— ²	Bolt – Hex
18	— ²	Plug – Carrier Cover	53	37299	Cap – King Pin Bearing Lower
19	34822	Bolt – Carrier Cover (qty 10)	54	500357-13	Lockwasher (King Pin Cap – Lower)
20	— ³	Cap – Differential Bearing	55	500412-13	Bolt – Hex (King Pin Cap – Lower)
21	48632-1	Bolt – Differential Bearing Cap	56	— ¹	Shaft & Joint Assembly
22	706047X	KIT – Differential Bearing	57	— ²	Slinger – Spindle Yoke
23	706378X	KIT – Diff Brg Adj Shim (inc 17)		— ²	KIT – Spindle Seal & Bearing (inc 58, 59, 60, 61)
24	— ⁴	Case – Differential		— ²	KIT – Spindle (inc 58, 59, 60, 61, 62)
25	— ²	Bolt – Drive Gear (qty 12)	58	— ²	Seal – Oil
26	35625	Gear – Differential (std)	59	— ²	Spacer – Wheel Bearing Spindle
27	34367	Pinion – Differential	60	— ²	Seal – Oil (block-vee)
28	34729	Thrustwasher – Diff Gear (std)	61	620063	Bearing Assembly – Needle
29	34730	Thrustwasher – Diff Pinion (std-t/l)	62	— ²	Spindle – Wheel Bearing
30	44810	Lock – Differential Shaft	63	36805	Nut – Brake Mounting
31	30263	Shaft – Differential	64	48816	Seal – Oil
32	— ²	Seal & Guide Tube	65	706411X	Kit – Inner Wheel Bearing
	— ²	KIT – King Pin Parts (inc 33, 34, 35, 36)	66	706074X	Kit – Outer Wheel Bearing
33	— ²	Seal – King Pin – Upper	67	— ³	Hub – Wheel
			N.I.	— ²	Thrustwasher – Bearing
			69	— ²	Spindle Nut or Nut & Pin Assembly
			70	— ²	Lockwasher – Wheel Brg Nut

1 See "Bill of Material Table" on page 77

2 See "Variable Parts Table" on page 80

3 Contact Vehicle Manufacturer.

4 Not Sold Separately.

MODEL 60 FRONT AXLES FOR FORD PARTS LISTING

ITEM NO.	PART NUMBER	DESCRIPTION
71	— 2	Spindle Nut
72	— 2	Spacer
73	— 2	Gear – Axle Drive
	— 2	Thrustwasher Package
74	— 2	Snap Ring
75	— 2	Snap Ring
76	— 2	Hub Cap
	— 3	Hub Lok Assembly
	707083X	KIT – Diff Plate & Disc (t/l) (inc items 77, 78, 79, 80, 81)
77	— 4	Plate – Diff Pressure
78	— 4	Disc – Differential
79	— 4	Plate – Differential
80	40835	Clip – Differential Clutch
81	— 4	Spacer – Plate Preload
82	35830	Gear – Differential (t/l)
	700238-1X	KIT – Socket Assembly (inc 83,84,85,86,87,88,89)
83	44101	Nut – Hex Slotted
84	500024-8	Pin – Cotter
85	44507	Bushing – Socket Design
	— 5	(Alternate Bushing Selection)
86	47184	Socket – Upper
87	44133	Nut – Hex Jam
88	47185	Socket – Lower
89	620343	Ring – Snap
90	— 2	Outer Tube Seal

² See "Variable Parts Table" on page 80

⁴ Not Sold Separately.

⁵ See Camber/Casting Bushing Table on pag 203.

MODEL 60 FRONT AXLES FOR FORD

BILL OF MATERIAL TABLE

AXLE			AXLE KITS				SHAFT & JOINT ASSY.	
BILL OF MATERIAL	DIFF. TYPE	RATIO	RING GEAR & PINION KIT 6	DIFFERENTIAL			RIGHT HAND SHAFT ASSY.	LEFT HAND SHAFT ASSY.
				CASE ASSY. KIT 7	CASE KIT	INNER PARTS KIT		
1978-79 F-250 & F-350 (Snow Fighter)								
610023-1	Standard	3.54	700020-1	706180X	706040X	706702X	660048-1	660048-2
610023-2	Standard	3.54	700020-1	706180X	706040X	706702X	660048-1	660048-2
610023-4	Trac Lok	3.54	700020-1	707090-4X	708014	707086X	660048-1	660048-2
610023-5	Standard	4.10	700020-2	706180X	706040X	706702X	660048-1	660048-2
610023-6	Standard	4.10	700020-2	706180X	706040X	706702X	660048-1	660048-2
610023-8	Trac Lok	4.10	700020-2	707090-4X	708014	707086X	660048-1	660048-2
610023-9	Standard	4.10	700020-2	706180X	706040X	706702X	660048-1	660048-2
610023-10	Standard	3.54	700020-1	706180X	706040X	706702X	660048-1	660048-2
610023-11	Standard	3.54	700020-1	706180X	706040X	706702X	660048-1	660048-2
610023-12	Standard	4.10	700020-2	706180X	706040X	706702X	660048-1	660048-2
610023-13	Standard	4.10	700020-2	706180X	706040X	706702X	660048-1	660048-2
1985 F-350								
610220-2	Standard	3.54	700020-1	706180X	706040X	706702X	660048-4	660048-5
610220-4	Standard	4.10	700020-2	706180X	706040X	706702X	660048-4	660048-5
610220-8	Standard	4.10	700020-2	706180X	706040X	706702X	660048-4	660048-5
1986-88 F-350 Monobeam DRW								
610255-1	Standard	3.54	700020-1	706180X	706040X	706702X	660048-4	660048-5
610255-2	Standard	4.10	700020-2	706180X	706040X	706702X	660048-4	660048-5
610255-3	Standard	4.10	700020-2	706180X	706040X	706702X	660048-4	660048-5
1988 F-350 Monobeam SRW								
610305-1	Standard	3.54	700020-1	706180X	706040X	706702X	660048-4	660048-5
610305-2	Standard	4.10	700020-2	706180X	706040X	706702X	660048-4	660048-5
1988 1/2-91 1/2 F-350 Monobeam SRW								
610313-1	Standard	3.54	700020-1	706180X	706040X	706702X	76659-2X	76659-1X
610313-2	Standard	4.10	700020-2	706180X	706040X	706702X	76659-2X	76659-1X
610313-3	Standard	4.10	700020-2	706180X	706040X	706702X	76659-2X	76659-1X
1992 F-350 (Uses Socket Assy Instead of King Pin Assy)								
610371-1	Standard	3.54	700020-1	706180X	706040X	706702X	76659-2X	76659-1X
610371-2	Standard	4.10	700020-2	706180X	706040X	706702X	76659-2X	76659-1X
610371-3	Standard	4.10	700020-2	706180X	706040X	706702X	76659-2X	76659-1X
610371-4	Standard	3.54	700020-1	706180X	706040X	706702X	76659-2X	76659-1X
610371-5	Standard	4.10	700020-2	706180X	706040X	706702X	76659-2X	76659-1X
610371-6	Standard	4.10	700020-2	706180X	706040X	706702X	76659-2X	76659-1X

6 See Ring Gear & Pinion Kits in XGI Catalog for ratio & tooth combinations.

7 See Differential Case Assy Kits in XGI Catalog for spline data & ratios.

MODEL 60 FRONT AXLES FOR FORD

BILL OF MATERIAL TABLE

AXLE			AXLE KITS				SHAFT & JOINT ASSY.	
BILL OF MATERIAL	DIFF. TYPE	RATIO	RING GEAR & PINION KIT 6	DIFFERENTIAL			RIGHT HAND SHAFT ASSY.	LEFT HAND SHAFT ASSY.
				CASE ASSY. KIT 7	CASE KIT	INNER PARTS KIT		
1993-93 1/2 F-350								
610432-1	Standard	3.54	700020-1	706180X	706040X	706702X	76659-2X	76659-1X
610432-2	Standard	4.10	700020-2	706180X	706040X	706702X	76659-2X	76659-1X
610432-3	Standard	4.10	700020-2	706180X	706040X	706702X	76659-2X	76659-1X
610432-4	Standard	3.54	700020-1	706180X	706040X	706702X	76659-2X	76659-1X
610432-5	Standard	4.10	700020-2	706180X	706040X	706702X	76659-2X	76659-1X
610432-6	Standard	4.10	700020-2	706180X	706040X	706702X	76659-2X	76659-1X
1994 F-350								
610445-1	Standard	3.54	700020-1	706180X	706040X	706702X	76659-2X	76659-1X
610445-2	Standard	4.10	700020-2	706180X	706040X	706702X	76659-2X	76659-1X
610445-3	Standard	4.10	700020-2	706180X	706040X	706702X	76659-2X	76659-1X
610445-4	Standard	3.54	700020-1	706180X	706040X	706702X	76659-2X	76659-1X
610445-5	Standard	4.10	700020-2	706180X	706040X	706702X	76659-2X	76659-1X
610445-6	Standard	4.10	700020-2	706180X	706040X	706702X	76659-2X	76659-1X
1995 F-350								
610460-1	Standard	3.54	700020-1	706180X	706040X	706702X	76659-2X	76659-1X
610460-2	Standard	4.10	700020-2	706180X	706040X	706702X	76659-2X	76659-1X
610460-3	Standard	4.10	700020-2	706180X	706040X	706702X	76659-2X	76659-1X
610460-4	Standard	3.54	700020-1	706180X	706040X	706702X	76659-2X	76659-1X
610460-5	Standard	4.10	700020-2	706180X	706040X	706702X	76659-2X	76659-1X
610460-6	Standard	4.10	700020-2	706180X	706040X	706702X	76659-2X	76659-1X
610460-7	Standard	3.54	700020-1	706180X	706040X	706702X	76659-2X	76659-1X
610460-8	Standard	4.10	700020-2	706180X	706040X	706702X	76659-2X	76659-1X
610460-9	Standard	4.10	700020-2	706180X	706040X	706702X	76659-2X	76659-1X
610460-10	Standard	3.54	700020-1	706180X	706040X	706702X	76659-2X	76659-1X
610460-11	Standard	4.10	700020-2	706180X	706040X	706702X	76659-2X	76659-1X
610460-12	Standard	4.10	700020-2	706180X	706040X	706702X	76659-2X	76659-1X
1996 1/2-97 F-350								
610610-1	Standard	3.54	700020-1	707460X	706040X	706702X	76659-2X	76659-1X
610610-2	Standard	4.10	700020-2	707460X	706040X	706702X	76659-2X	76659-1X
610610-3	Standard	4.10	700020-2	707460X	706040X	706702X	76659-2X	76659-1X
610610-4	Standard	3.54	700020-1	707460X	706040X	706702X	76659-2X	76659-1X
610610-5	Standard	4.10	700020-2	707460X	706040X	706702X	76659-2X	76659-1X
610610-6	Standard	4.10	700020-2	707460X	706040X	706702X	76659-2X	76659-1X

6 See Ring Gear & Pinion Kits in XGI Catalog for ratio & tooth combinations.

7 See Differential Case Assy Kits in XGI Catalog for spline data & ratios.

MODEL 60 FRONT AXLES FOR FORD

BILL OF MATERIAL TABLE

AXLE			AXLE KITS				SHAFT & JOINT ASSY.	
BILL OF MATERIAL	DIFF. TYPE	RATIO	RING GEAR & PINION KIT <small>6</small>	DIFFERENTIAL			RIGHT HAND SHAFT ASSY.	LEFT HAND SHAFT ASSY.
				CASE ASSY. KIT <small>7</small>	CASE KIT	INNER PARTS KIT		
1997 1/2-98 F-350								
610741-1	Standard	3.54	700020-1	707460X	706040X	706702X	76659-2X	76659-1X
610741-2	Standard	4.10	700020-1	707460X	706040X	706702X	76659-2X	76659-1X
610741-3	Standard	4.10	700020-2	707460X	706040X	706702X	76659-2X	76659-1X
610741-4	Standard	3.54	700020-1	707460X	706040X	706702X	76659-2X	76659-1X
610741-5	Standard	4.10	700020-2	707460X	706040X	706702X	76659-2X	76659-1X
610741-6	Standard	4.10	700020-2	707460X	706040X	706702X	76659-2X	76659-1X

6 See Ring Gear & Pinion Kits in XGI Catalog for ratio & tooth combinations.

7 See Differential Case Assy Kits in XGI Catalog for spline data & ratios.

MODEL 60 FRONT AXLES FOR FORD VARIABLE PARTS TABLE

Kits & Parts - Use With All Applications							
Description & Item Number (Refer to "Exploded View" on page 74)			Bills of Material				
			610023	610220	610255	610305	610313
1	Seal – Pinion	10	42449	42449	42449	42449	42449
2	Seal Pkg.- End Yoke (inc 10 & 13)	11	—	—	—	—	—
3	End Yoke or Assembly (inc 13)	12	2-4-4291X	2-4-5311X	2-4-8051X	2-4-8051X	2-4-8051X
4	Slinger – End Yoke	13	34592	34592	41195	41195	41195
5	KIT – Carrier Cover	-	700041	707002X	707002X	707002X	707233X
6	Cover – Carrier	16	620079	620079	620079	620079	43600-1
7	Plug – Carrier Cover	18	36472	36472	36472	36472	43180
8	Bolt – Drive Gear (qty 12)	25	30266	30266	30266	30266	30266
9	Seal & Guide Tube	32	36487	36487	36487	36487	36487
10	KIT – King Pin Parts	-	706395X	707042X	707042X	707042X	707042X
11	Seal – King Pin - Upper	33	620058	41778	41778	41778	41778
12	Screw – Stop	37	620143-3	620143-3	620143-3	620143-3	620143-3
13	Nut – Hex Jam	38	500381-3	500381-3	500381-3	500381-3	500381-3
14	Bolt – Hex	52	37759-2	37759-2	37759-2	37759-2	37759-2
15	Slinger – Spindle Yoke	57	37308	37308	37308	37308	37308
16	KIT – Spindle Seal & Bearing	-	700014	700014	700014	700014	700014
17	KIT – Spindle	-	700022	700022	700022	700022	700022
18	Seal – Oil	58	37311	37311	37311	37311	37311
19	Spacer – Wheel Bearing Spindle	59	37312	37312	37312	37312	37312
20	Seal – Oil (block-vee)	60	620062	620062	620062	620062	620062
21	Spindle – Wheel Bearing	62	620086	620086	620086	620086	620086
22	Thrustwasher – Bearing	N.I.	33734	33734	—	—	—
23	Spindle Nut or Nut & Pin Assembly	69	33732	33732	660568	660568	660568
24	Lockwasher – Wheel Brg Nut	70	33733	33733	621028	621028	621028
25	Spindle Nut	71	33732	33732	621027	621027	621027
26	Spacer	72	37997	37997	—	—	—
27	Gear – Axle Drive	73	37994	37994	—	—	—
28	Thrustwasher Package	-	—	—	—	—	—
29	Snap Ring	74	620142	620142	620142	620142	620142
30	Snap Ring	75	—	—	620097	620097	620097
31	Hub Cap	76	620194	620194	—	—	—
32	Seal - Outer Tube	90	—	—	—	—	50492

(See next page for additional bills of material)

MODEL 60 FRONT AXLES FOR FORD VARIABLE PARTS TABLE

Kits & Parts - Use With All Applications							
Description & Item Number (Refer to "Exploded View" on page 74)			Bills of Material				
			610371	610432	610445	610460	610610
1	Seal – Pinion	10	42449	42449	42449	42449	42449
2	Seal Pkg.- End Yoke (inc 10 & 13)	11	—	—	—	—	—
3	End Yoke or Assembly (inc 13)	12	2-4-8051X	2-4-8051X	2-4-8051X	2-4-8051X	2-4-8051X
4	Slinger – End Yoke	13	41195	41195	41195	41195	41195
5	KIT – Carrier Cover	-	707233X	707233X	707233X	707233X	707233X
6	Cover – Carrier	16	43600-1	43600-1	43600-1	43600-1	43600-1
7	Plug – Carrier Cover	18	43180	43180	43180	43180	43180
8	Bolt – Drive Gear (qty 12)	25	30266	40638	40638	40638	40638
9	Seal & Guide Tube	32	36487	48773	48773	48773	48773
10	KIT – King Pin Parts	-	—	—	—	—	—
11	Seal – King Pin - Upper	33	—	—	—	—	—
12	Screw – Stop	37	620143-3	620143-3	620143-3	—	—
13	Nut – Hex Jam	38	500381-3	500381-5	500381-5	—	—
14	Bolt – Hex	52	37759-1	37759-1	37759-1	37759-1	37759-1
15	Slinger – Spindle Yoke	57	37308	—	—	—	—
16	KIT – Spindle Seal & Bearing	-	708084	708084	708084	708084	708084
17	KIT – Spindle	-	708085	708085	708085	708085	708085
18	Seal – Oil	58	50381	50381	50381	50381	50381
19	Spacer – Wheel Bearing Spindle	59	—	—	—	—	—
20	Seal – Oil (block-vee)	60	44506	44506	44506	44506	44506
21	Spindle – Wheel Bearing	62	620086	620086	620086	620086	620086
22	Thrustwasher – Bearing	N.I.	—	—	—	—	—
23	Spindle Nut or Nut & Pin Assembly	69	660568	660568	660568	660568	—
24	Lockwasher – Wheel Brg Nut	70	621028	621028	621028	621028	—
25	Spindle Nut	71	621027	621027	621027	621027	—
26	Spacer	72	—	—	—	—	—
27	Gear – Axle Drive	73	—	—	—	—	—
28	Thrustwasher Package	-	—	—	—	—	—
29	Snap Ring	74	620142	—	—	—	—
30	Snap Ring	75	620097	620097	620097	620097	620097
31	Hub Cap	76	—	—	—	—	—
32	Seal - Outer Tube	90	50492	50492	50492	50492	50492

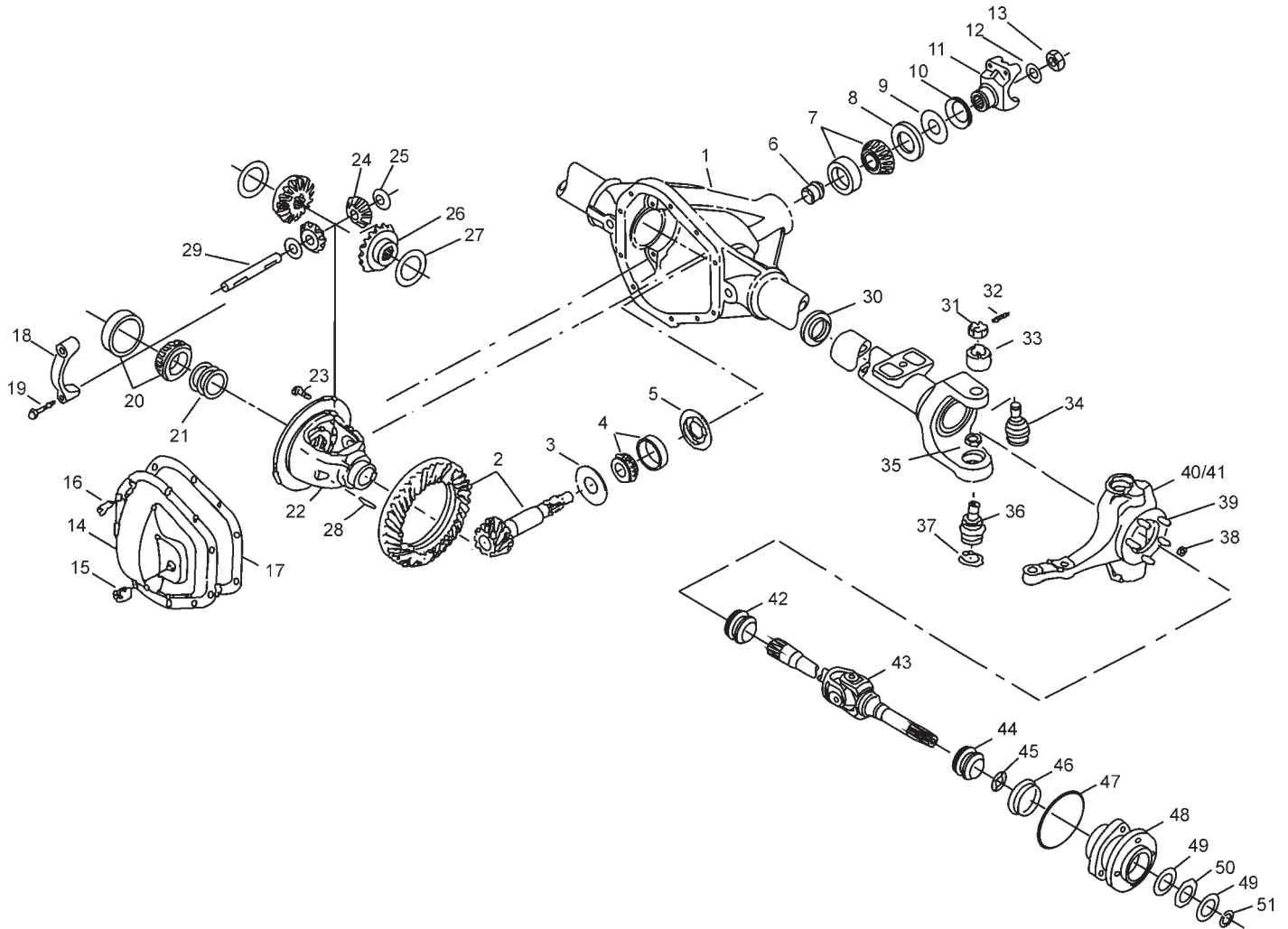
(See next page for additional bills of material)

MODEL 60 FRONT AXLES FOR FORD VARIABLE PARTS TABLE

Kits & Parts - Use With All Applications						
Description & Item Number (Refer to "Exploded View" on page 74)			Bills of Material			
			610741			
1	Seal – Pinion	10	—			
2	Seal Pkg.- End Yoke (inc 10 & 13)	11	701164X			
3	End Yoke or Assembly (inc 13)	12	2-4-8251			
4	Slinger – End Yoke	13	—			
5	KIT – Carrier Cover	-	707233X			
6	Cover – Carrier	16	43600-1			
7	Plug – Carrier Cover	18	43180			
8	Bolt – Drive Gear (qty 12)	25	40638			
9	Seal & Guide Tube	32	48773			
10	KIT – King Pin Parts	-	—			
11	Seal – King Pin - Upper	33	—			
12	Screw – Stop	37	—			
13	Nut – Hex Jam	38	—			
14	Bolt – Hex	52	37759-1			
15	Slinger – Spindle Yoke	57	—			
16	KIT – Spindle Seal & Bearing	-	708084			
17	KIT – Spindle	-	708085			
18	Seal – Oil	58	50381			
19	Spacer – Wheel Bearing Spindle	59	—			
20	Seal – Oil (block-vee)	60	44506			
21	Spindle – Wheel Bearing	62	620086			
22	Seal – Oil	64	48816			
23	Thrustwasher – Bearing	N.I.	—			
24	Spindle Nut or Nut & Pin Assembly	69	—			
25	Lockwasher – Wheel Brg Nut	70	—			
26	Spindle Nut	71	—			
27	Spacer	72	—			
28	Gear – Axle Drive	73	—			
29	Thrustwasher Package	-	701132X			
30	Snap Ring	74	620142			
31	Snap Ring	75	620097			
32	Hub Cap	76	—			
32	Seal - Outer Tube	90	50492			

**MODEL 60 /248 2000
FRONT AXLES for
F-350, F-450 & F-550**

60 /248 2000 FRONT EXPLODED VIEW



MODEL 60 /248 YEAR 2000 FRONT AXLES FOR FORD PARTS LISTING

ITEM NO.	PART NUMBER	DESCRIPTION	ITEM NO.	PART NUMBER	DESCRIPTION
1	— ³	Housing – Axle Service	28	44810	Lock – Differential Shaft
2	— ¹	Drive Pinion & Gear Kit	29	30263	Shaft – Differential
3	701161X 47890	PKG – Pinion Adjustment Shims Slinger (used on Dead Front only)	30	— ² 700238-1X	Seal & Guide Tube KIT – Socket Assembly (inc 31,32,33,34,35,36 & 37)
4	706046X	Inner Pinion Bearing	31	44101	Nut – Hex Slotted
5	30982	Baffle – Pinion Bearing	32	500024-8	Pin – Cotter
6	45658	Collapsible Spacer	33	44507	Bushing (Alternate Bushing Selection)
7	706045X	KIT – Outer Pinion Bearing	34	47184	Socket – Upper
8	42737 — ²	Thrustwasher – Bearing PKG – Seal (inc 9 & 10)	35	44133	Nut – Hex Jam
9	— ²	Seal – Pinion	36	47185	Socket – Lower
10	47886	Seal – End Yoke	37	620343	Snap Ring
11	— ²	End Yoke	38	48660	Nut – Knuckle
12	30275	Washer – Pinion Nut	39	47816	Stud
13	30271	Nut – Pinion	40	— ³	Knuckle – Right
14	47707-1	Cover – Carrier	41	— ³	Knuckle – Left
15	43180	Plug – Carrier Cover	42	50381	Seal – Oil
16	47508	Bolt – Carrier Cover (qty 10)	43	— ¹	Shaft & Joint Assembly
17	34687	Gasket – Carrier Cover	44	50491	Seal – Oil
18	— ³	Cap – Differential Bearing	45	47766	Thrustwasher
19	48632-1	Bolt – Differential Bearing Cap	46	— ²	Dust Shield
20	706047X	KIT – Differential Bearing	47	41784-2	O-Ring
21	708012	KIT – Diff Brg Adj Shim (inc 17)	48	— ³ 701166X	Hub Assembly PKG – Thrustwasher (inc 49 & 50)
22	— ⁴	Case – Differential	49	47760	Thrustwasher
23	40638	Bolt – Drive Gear (qty 12)	50	47759	Thrustwasher
24	34367	Pinion – Differential	51	620142	Snap Ring
25	34730	Thrustwasher – Diff Pinion			
26	35625	Gear – Differential (std)			
27	34729	Thrustwasher – Diff Gear			

1 See “Bill of Material Table” on page 86

2 See “Variable Parts Table” on page 88

3 Contact Vehicle Manufacturer.

4 Not Sold Separately.

5 See Camber/Casting Bushing Table on page 203.

MODEL 60 /248 YEAR 2000 FRONT AXLES FOR FORD

BILL OF MATERIAL TABLE

AXLE			AXLE KITS				SHAFT & JOINT ASSY.	
BILL OF MATERIAL	DIFF. TYPE	RATIO	RING GEAR & PINION KIT 6	DIFFERENTIAL			RIGHT HAND SHAFT ASSY.	LEFT HAND SHAFT ASSY.
				CASE ASSY. KIT 7	CASE KIT	INNER PARTS KIT		
2000 F350 DRW (4x4)								
610894-1	Standard	3.73	707475-1X 8	706180X	706040X	706702X	76150-1X	76150-2X
610894-2	Standard	4.10	707475-2X 8	706180X	706040X	706702X	76150-1X	76150-2X
610894-3	Standard	4.30	707475-3X 8	706180X	706040X	706702X	76150-1X	76150-2X
2000 F450/550 DRW (4x4)								
610895-1	Standard	4.88	707475-4X 8	706182X	706041X	706702X	76150-3X	76150-4X
610895-2	Standard	5.38	707475-5X 8	706182X	706041X	706702X	76150-3X	76150-4X
2000 F450/550 DRW (4X2) DEAD FRONT								
610896	—	—	—	—	—	—	—	—
610897	—	—	—	—	—	—	—	—
2000 F350 DRW (4x4)								
610954-1	Standard	4.30	707475-3X 8	706180X	706040X	706702X	76150-1X	76150-2X
610998-1	Standard	4.30	707475-3X 8	706180X	706040X	706702X	76150-1X	76150-2X
611072-1	Standard	3.73	708123-1	706180X	706040X	706702X	76150-1X	76150-2X
611072-2	Standard	4.10	708123-2	706180X	706040X	706702X	76150-1X	76150-2X
611072-3	Standard	4.30	708123-3	706180X	706040X	706702X	76150-1X	76150-2X
2000 F450/550 DRW (4x4)								
611073-1	Standard	4.88	708123-4	706182X	706041X	706702X	76150-3X	76150-4X
611073-2	Standard	5.38	708123-5	706182X	706041X	706702X	76150-3X	76150-4X
611073-3	Standard	4.30	708123-3	706180X	706040X	706702X	76150-3X	76150-4X
2000 F350 DRW (4x4)								
611074-1	Standard	4.30	708123-3	706180X	706040X	706702X	76150-1X	76150-2X
2000 1/2 F350 DRW (4x4)								
610994-1	Standard	3.73	707475-1X 8	706180X	706040X	706702X	76150-1X	76150-2X
610994-2	Standard	4.10	707475-2X 8	706180X	706040X	706702X	76150-1X	76150-2X
610994-3	Standard	4.30	707475-3X 8	706180X	706040X	706702X	76150-1X	76150-2X
2000 1/2 F450/550 DRW (4x4)								
610995-1	Standard	4.88	707475-4X 8	706182X	706041X	706702X	76150-3X	76150-4X
610995-2	Standard	5.38	707475-5X 8	706182X	706041X	706702X	76150-3X	76150-4X

6 See Ring Gear & Pinion Kits in XGI Catalog for ratio & tooth combinations.

7 See Differential Case Assy Kits in XGI Catalog for spline data & ratios.

8 Reverse Spiral Bevel

MODEL 60 /248 YEAR 2000 FRONT AXLES FOR FORD

BILL OF MATERIAL TABLE

AXLE			AXLE KITS				SHAFT & JOINT ASSY.	
BILL OF MATERIAL	DIFF. TYPE	RATIO	RING GEAR & PINION KIT 6	DIFFERENTIAL			RIGHT HAND SHAFT ASSY.	LEFT HAND SHAFT ASSY.
				CASE ASSY. KIT 7	CASE KIT	INNER PARTS KIT		
2000 1/2 F450/550 DRW (4X2) DEAD FRONT								
610996	—	—	—	—	—	—	—	—
610997	—	—	—	—	—	—	—	—
2001 F350 DRW (4x4)								
611195-1	Standard	3.73	708123-1	706180X	706040X	706702X	76150-1X	76150-2X
611195-2	Standard	4.10	708123-2	706180X	706040X	706702X	76150-1X	76150-2X
611195-3	Standard	4.30	708123-3	706180X	706040X	706702X	76150-1X	76150-2X
611197-1	Standard	4.30	708123-3	706180X	706040X	706702X	76150-1X	76150-2X
2001-02 F450/550 DRW (4x4)								
611196-1	Standard	4.88	708123-4	706182X	706041X	706702X	76150-3X	76150-4X
611196-2	Standard	5.38	708123-5	706182X	706041X	706702X	76150-3X	76150-4X
611196-3	Standard	4.30	708123-3	706182X	706041X	706702X	76150-3X	76150-4X
2002 F-250/350 SRW (4x4)								
611159-1	Standard	3.73	708123-1	706180X	706040X	706702X	76150-1X	76150-2X
611159-2	Standard	4.10	708123-2	706180X	706040X	706702X	76150-1X	76150-2X
611159-3	Standard	4.30	708123-3	706180X	706040X	706702X	76150-1X	76150-2X
2002 F450/550 DRW (4x4)								
611201-1	Standard	4.88	708123-4	706182X	706041X	706702X	76150-3X	76150-4X
611201-2	Standard	5.38	708123-5	706182X	706041X	706702X	76150-3X	76150-4X
611201-3	Standard	4.30	708123-3	706180X	706040X	706702X	76150-3X	76150-4X

6 See Ring Gear & Pinion Kits in XGI Catalog for ratio & tooth combinations.

7 See Differential Case Assy Kits in XGI Catalog for spline data & ratios.

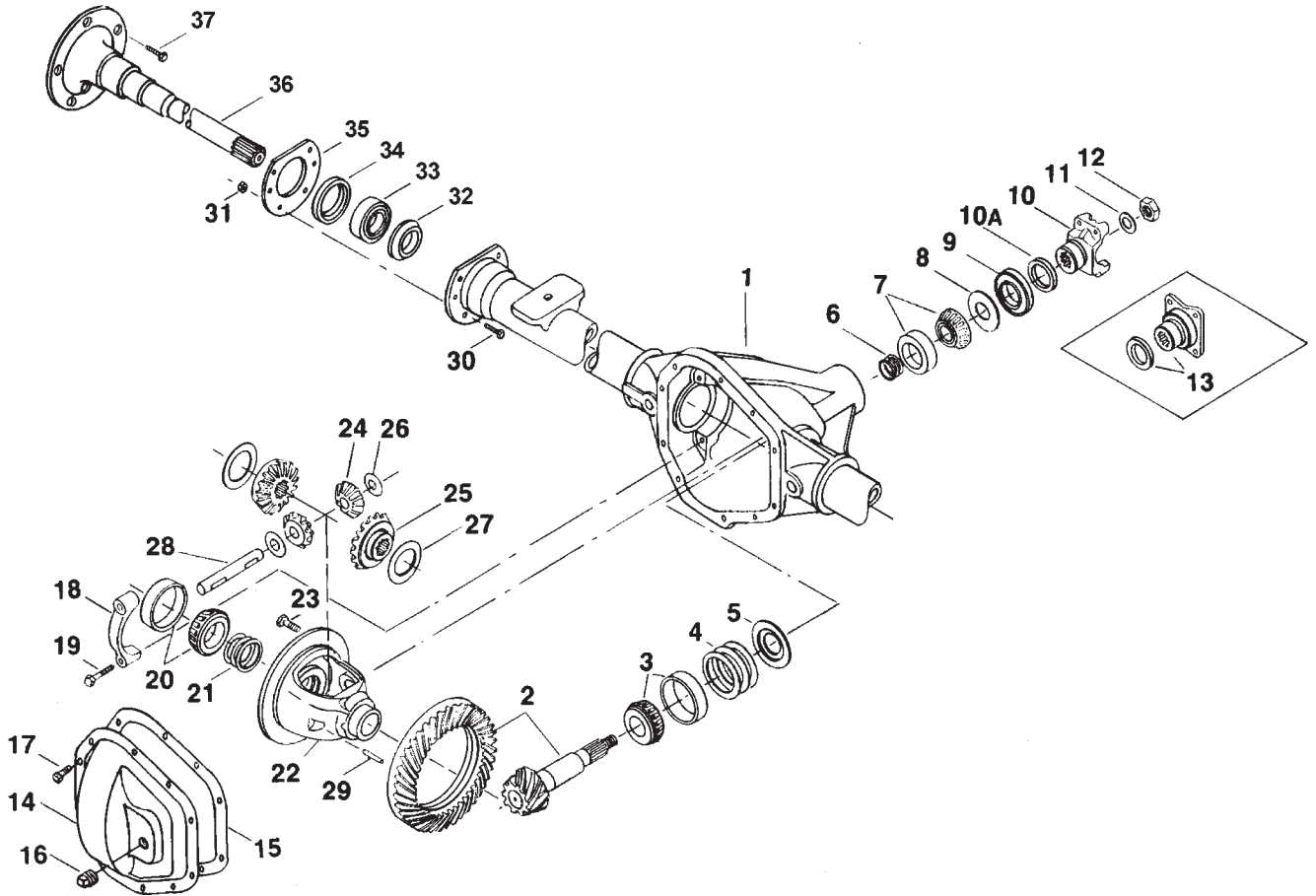
MODEL 60 /248 YEAR 2000 FRONT AXLES FOR FORD VARIABLE PARTS TABLE

Kits & Parts - Use With All Applications							
Description & Item Number (Refer to "Exploded View" on page 84)			Bills of Material				
			610894	610895	610896	610897	610954
1	PKG – Seal (inc 9 & 10)	-	701164X	701164X	—	—	701164X
2	Seal – Pinion	9	47885	47885	—	—	47885
3	End Yoke	11	3-4-12771-1	3-4-12771-1	—	—	3-4-12771-1
4	Seal & Guide Tube	30	48773	48773	—	—	48773
5	Dust Shield	46	47889	47889	47889	—	47758

Kits & Parts - Use With All Applications							
BILLS OF MATERIAL (Cont'd.)							
	610994	610995	610996	610997	610998	611072	611073
1	701164X	701164X	—	—	701164X	703011	703011
2	47885	47885	—	—	47885	50574	50574
3	3-4-12771-1	3-4-12771-1	—	—	3-4-12771-1	3-4-14531-1	3-4-14531-1
4	48773	48773	—	—	48773	52148	52148
5	47889	47889	47889	—	47758	47758	47889

Kits & Parts - Use With All Applications							
BILLS OF MATERIAL (Cont'd.)							
	611074	611159	611195	611196	611197	611201	
1	703011	703011	703011	703011	703011	703011	
2	50574	50574	50574	50574	50574	50574	
3	3-4-14531-1	3-4-14531-1	3-4-14531-1	3-4-14531-1	3-4-14531-1	3-4-14531-1	
4	52148	52148	52148	52148	52148	52148	
5	47758	47758	47758	47889	47758	47889	

**MODEL 30 /181
REAR AXLES for
AEROSTAR**



MODEL 30 /181 REAR AXLES FOR FORD AEROSTAR PARTS LISTING

ITEM NO.	PART NUMBER	DESCRIPTION	ITEM NO.	PART NUMBER	DESCRIPTION
1	— ³	Housing – Axle Service	16	41356	Plug – Carrier Cover
2	— ¹	Drive Pinion & Gear Kit	17	34279	Bolt – Carrier Cover (qty 10)
3	706015X	Inner Pinion Bearing Kit	18	— ³	Cap – Differential Bearing
4	—	Inner Pinion Adj Shims (See Kits – 706386X & 706360X)	19	40284-1	Bolt – Differential Bearing Cap
5	32349 706386X	Baffle – Pinion Bearing KIT – Diff & Pinion Adj Shim (inc items 4, 6, 11, 12, 15, 21)	20	706016X	Differential Bearing Kit
6	— 706360X	Outer Pinion Adj Shims (See Kits – 706386X & 706360X) KIT – Pinion Adj Shim (inc items 4, 6, 11, 12, 15)	21	706086X	KIT – Diff Brg Adj Shim (inc 15)
7	706014X	Outer Pinion Bearing Kit	22	— ⁴	Case – Differential (std)
8	41012	Slinger – Pinion Bearing Outer	23	30187	Bolt – Drive Gear (qty 10)
9	41455	Seal – Pinion	24	32926	Pinion – Differential (std)
10	2-4-5251X	End Yoke or Assembly (inc 10A)	25	33213	Gear – Differential (std)
10A	41498	Slinger – End Yoke	26	34096	Thrustwasher – Diff Pinion (std)
11	30186	Washer – Pinion Nut	27	34095	Thrustwasher – Diff Gear (std)
12	30185	Nut – Pinion	28	41648	Shaft – Differential
13	— ³ 707076X	Companion Flange Assembly KIT – Carrier Cover (inc items 14, 16, 17)	29	13449	Lock – Differential Shaft
14	41939	Cover – Carrier	30	34616-1	Bolt – Brake Mounting
15	34684	Gasket – Carrier Cover	31	35704 706851X	Nut – Brake Mounting KIT – Unit Brg and Seal (inc items 32, 33, 34, 35)
			32	36121	Retainer Ring – Wheel Brg.
			33	565909	Wheel Bearing Assembly
			34	35938	Seal – Outboard Shaft
			35	41647	Retainer – Oil Seal
			36	— ¹	Shaft – Axle
			37	38638	Bolt – Axle Shaft

¹ See “Bill of Material Table” on page 92

³ Contact Vehicle Manufacturer.

⁴ Not Sold Separately.

MODEL 30 /181 REAR AXLES FOR FORD AEROSTAR

BILL OF MATERIAL TABLE

AXLE			AXLE KITS				SHAFT & JOINT ASSY.	
BILL OF MATERIAL	DIFF. TYPE	RATIO	RING GEAR & PINION KIT <small>6</small>	DIFFERENTIAL			RIGHT HAND SHAFT ASSY.	LEFT HAND SHAFT ASSY.
				CASE ASSY. KIT <small>7</small>	CASE KIT	INNER PARTS KIT		
1986–88 1A Aerostar Van								
605273-1	Standard	3.73	706000-20X	72720X	706008X	707041X	72499-1X	72499-2X
605273-2	Standard	3.73	706000-3X	72720X	706008X	707041X	72499-1X	72499-2X
605273-3	Standard	3.45	706000-21X	72721X	706007X	707041X	72499-1X	72499-2X
1989 1/2 1A Aerostar Van								
605434-1	Standard	3.73	706000-20X	72720X	706008X	707041X	72499-1X	72499-2X

NOTE: All Ring & Pinion Kits with base number 706930 are reverse spiral bevel

6 See Ring Gear & Pinion Kits in XGI Catalog for ratio & tooth combinations.

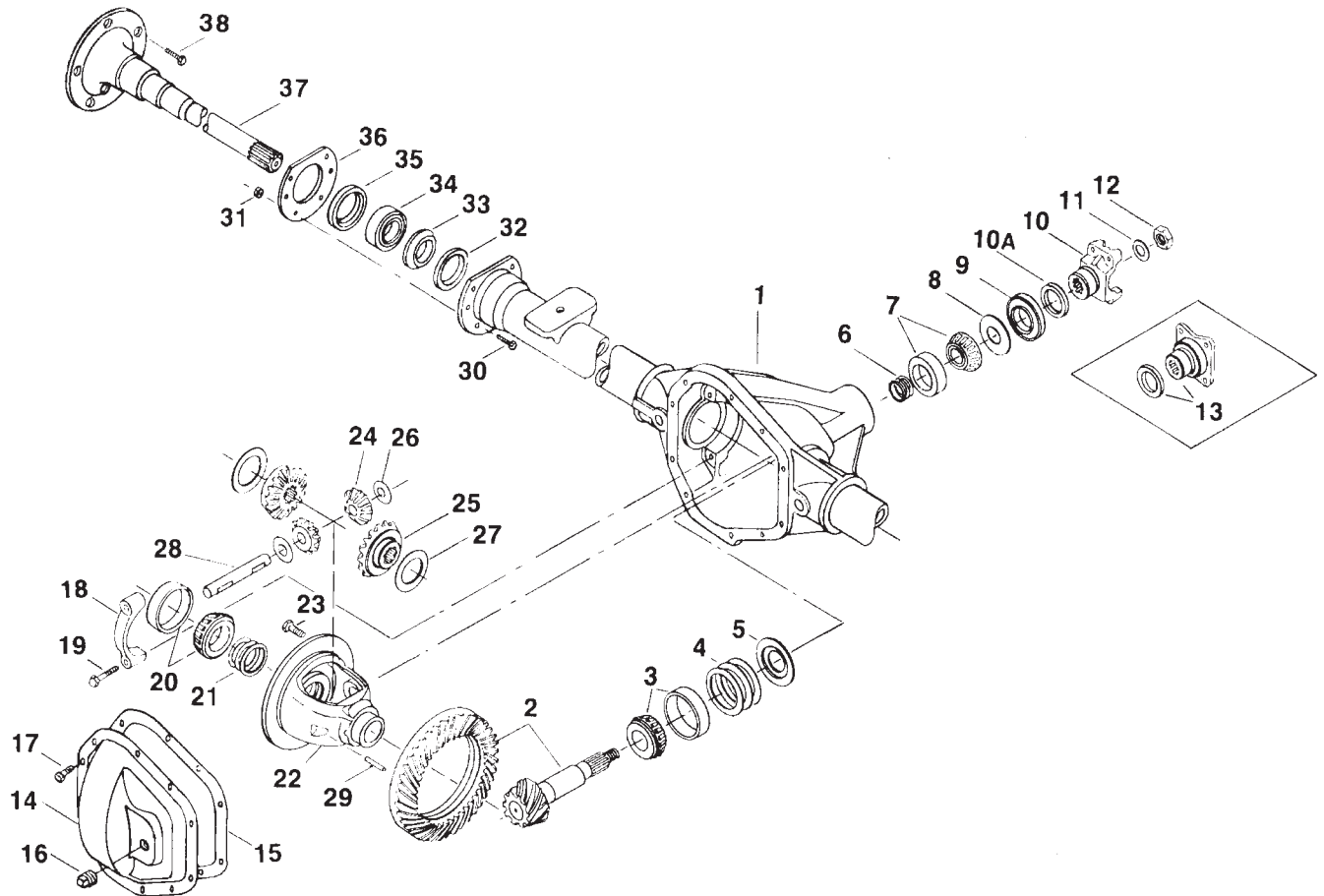
7 See Differential Case Assy Kits in XGI Catalog for spline data & ratios.

X510-2CVSP



**MODEL 44 /216
REAR AXLES for
F-100 & F-150**

44 /216 REAR EXPLODED VIEW



MODEL 44 REAR AXLES FOR FORD PARTS LISTING

ITEM NO.	PART NUMBER	DESCRIPTION	ITEM NO.	PART NUMBER	DESCRIPTION
1	— ³	Housing – Axle Service	17	34279	Bolt – Carrier Cover (qty 10)
2	— ¹	Drive Pinion & Gear Assembly	18	— ³	Cap – Differential Bearing
3	706031X	Inner Pinion Bearing Kit	19	48632-1	Bolt – Differential Bearing Cap
4	— ⁴	Inner Pinion Adj Shims (See Kits – 706376X & 706358X)	20	706032X	Differential Bearing Kit
5	30765 706376X	Baffle – Pinion Bearing KIT – Diff & Pinion Adj Shim (inc items 4, 6, 11, 12, 15, 21)	21	706086X	KIT – Diff Brg Adj Shim (inc 15)
6	— ⁴	Outer Pinion Adj Shims (See Kits – 706376X & 706358X)	22	— ⁴	Case – Differential (std)
	706358X	KIT – Pinion Adj Shim (inc items 4, 6, 11, 12, 15)	23	30187	Bolt – Drive Gear (qty 10)
7	706030X	Outer Pinion Bearing Kit	24	17717	Pinion – Differential (std)
8	13575	Slinger – Pinion Bearing Outer	25	31487	Gear – Differential (std)
9	39118	Seal – Pinion	26	13338-3	Thrustwasher – Diff Pinion (std)
10	2-4-6111X	End Yoke or Assembly (inc 10A)	27	32121	Thrustwasher – Diff Gear (std)
10A	41498	Slinger – End Yoke	28	17878	Shaft – Differential (std)
11	30186	Washer – Pinion Nut	29	13449	Lock – Differential Shaft
12	30185	Nut – Pinion	30	— ³	Bolt – Brake Mounting
13	— ³	Companion Flange Assembly	31	— ³	Nut – Brake Mounting
	706112X	KIT – Carrier Cover (inc items 14, 15, 16, 17)		706763X	KIT – Unit Brg and Seal (inc items 32, 33, 34, 35, 36)
14	39015	Cover – Carrier	32	34419	Seal – Inboard Shaft
15	34685	Gasket – Carrier Cover	33	38888	Retainer Ring – Wheel Bearing
16	36472	Plug – Carrier Cover	34	565903	Wheel Bearing Assembly
			35	35239	Seal – Outboard Shaft
			36	39386	Retainer – Oil Seal
			37	— ¹	Shaft Assy – Axle Complete
			38	38638	Bolt – Axle Shaft

¹ See “Bill of Material Table” on page 96

³ Contact Vehicle Manufacturer.

⁴ Not Sold Separately.

MODEL 44 REAR AXLES FOR FORD

BILL OF MATERIAL TABLE

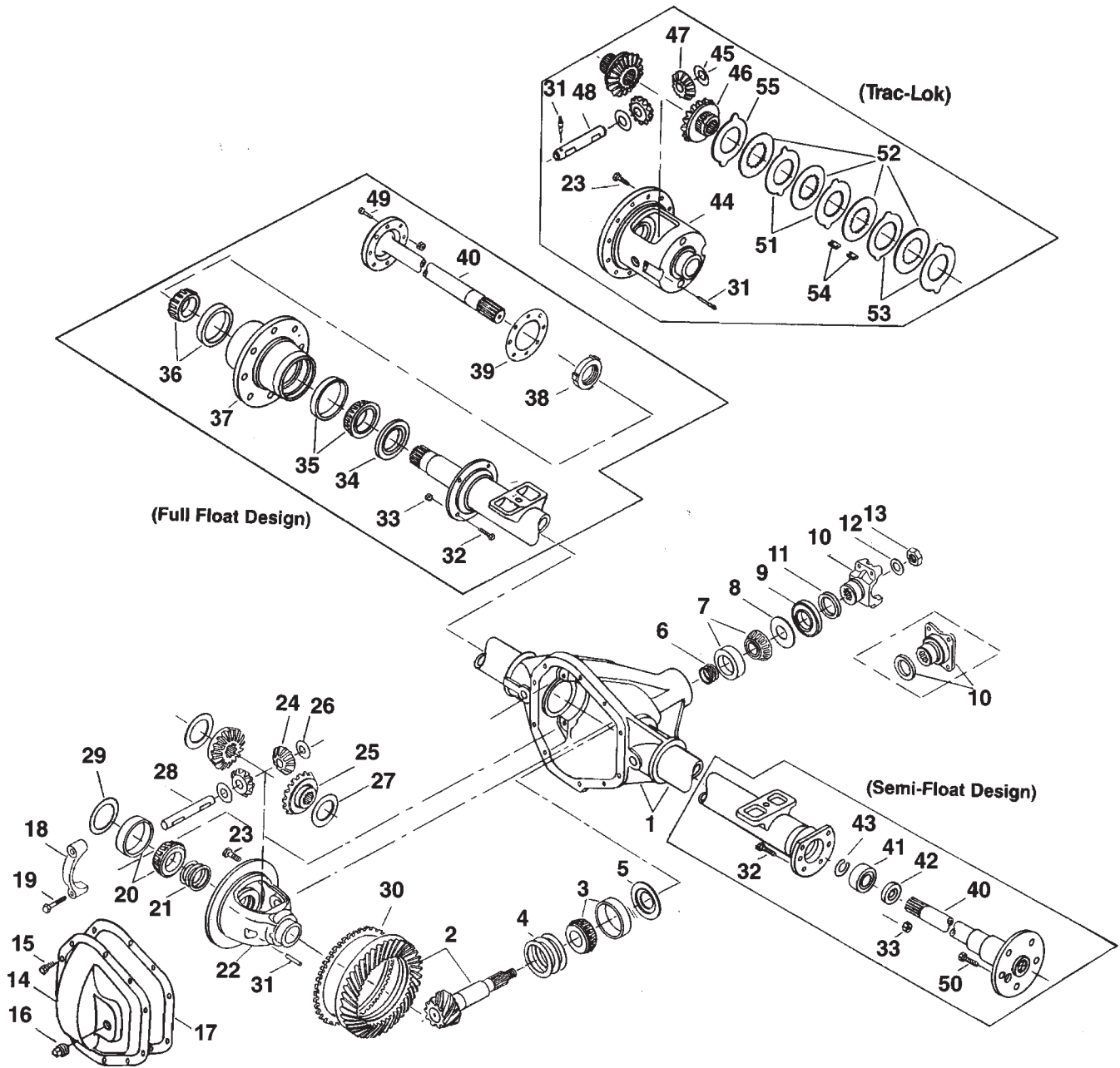
AXLE			AXLE KITS				SHAFT & JOINT ASSY.	
BILL OF MATERIAL	DIFF. TYPE	RATIO	RING GEAR & PINION KIT ⁶	DIFFERENTIAL			RIGHT HAND SHAFT ASSY.	LEFT HAND SHAFT ASSY.
				CASE ASSY. KIT ⁷	CASE KIT	INNER PARTS KIT		
1979 F-100 & F-150								
603973-1	Standard	2.72	706017-19X	706020X	706024X	706027X	71025-1X	71025-2X
603973-2	Standard	2.72	706017-19X	706020X	706024X	706027X	71025-1X	71025-2X

⁶ See Ring Gear & Pinion Kits in XGI Catalog for ratio & tooth combinations.

⁷ See Differential Case Assy Kits in XGI Catalog for spline data & ratios.

**MODEL 60/248
REAR AXLES for
E-250, E-350, F-250 & F-350**

60 /248 REAR AXLES EXPLODED VIEW



MODEL 60 /248 REAR AXLES FOR FORD PARTS LISTING

ITEM NO.	PART NUMBER	DESCRIPTION	ITEM NO.	PART NUMBER	DESCRIPTION
1	— ³	Housing – Axle Service	29	— ²	Spacer/Shim – Diff. Bearing
2	— ¹	Drive Pinion & Gear Kit	30	— ²	Tone Ring
3	706046X	Inner Pinion Bearing Kit	31	— ²	Lock – Differential Shaft
	— ²	KIT – Diff & Pinion Adj Shim (inc 4, 6, 12, 13, 17, 21)	32	— ³	Bolt – Brake Mounting
	— ²	KIT – Pinion Brg Adj Shim (inc 4, 6, 12, 13, 17)	33	— ³	Nut – Brake Mounting
4	—	Inner Pinion Adj Shims	34	— ²	Seal – Hub (Full Float)
5	— ²	Baffle – Pinion Bearing	35	706179X	Inner Wheel Brg Kit (Full Float)
6	— ⁴	Outer Pinion Adj Shims	36	706074X	Outer Wheel Brg Kit (Full Float)
7	706045X	Outer Pinion Bearing Kit	37	— ³	Hub – Wheel
8	42737	Thrustwasher	38A	— ²	Nut – Spindle (Full Float)
9	— ²	Seal – Pinion	38B	— ²	Nut-Spindle(LH)(FF)(Variable)
10	— ²	End Yoke/Companion Flange Assy	39	39697	Gasket (Full Float)
11	— ²	Slinger – End Yoke	40	— ¹	Shaft – Axle Flanged Drive
12	30275	Washer – Pinion Nut		— ²	KIT-Unit Brg & Seal (Semi Float) (inc item 17, 31, 41, 42)
13	30271	Nut – Pinion	41	566117	Wheel Bearing Assembly
	— ²	KIT – Carrier Cover (inc item 14, 15, 16)	42	— ²	Seal – Inboard Oil
14	— ²	Cover – Carrier	43	39213	Retainer-Axle Shaft (Semi Float)
15	— ²	Bolt – Carrier Cover	44	— ⁴	Case – Differential (t/l)
16	— ²	Plug – Carrier Cover	45	34730	Thrustwasher – Diff Pinion (t/l)
17	34687	Gasket – Carrier Cover	46	— ²	Gear – Differential (t/l)
	38615	RTV Silicone Sealant	47	34367	Pinion – Differential (t/l)
18	— ³	Cap – Differential Bearing	48	30263	Shaft – Differential (t/l)
19	48632-1	Bolt – Differential Bearing Cap	49	— ²	Bolt – Axle Shaft (Full Float)
20	— ²	Differential Bearing Kit	50	— ²	Bolt – Axle Shaft (Semi Float)
21	— ²	KIT – Diff Brg Adj Shim		— ²	KIT – Diff Plate & Disc (t/l) (inc item 51, 52, 53, 54, 55)
22	— ⁴	Case – Differential (std)	51	— ⁴	Plate – Diff Pressure (t/l)
23	— ²	Bolt – Drive Gear (qty 12)	52	— ⁴	Disc – Differential (t/l)
24	34367	Pinion – Differential (std)	53	— ⁴	Plate – Differential
25	— ²	Gear – Differential (std)	54	40835	Clip – Diff Clutch Retainer (t/l)
26	34730	Thrustwasher – Diff Pinion (std)	55	— ⁴	Spacer – Plate Preload
27	34729	Thrustwasher – Diff Gear (std)		— ²	KIT – RH Rear Axle Shaft
28	30263	Shaft – Differential (std)		— ²	KIT – LH Rear Axle Shaft

1 See “Bill of Material Table” on page 100

2 See “Variable Parts Table” on page 112

3 Contact Vehicle Manufacturer.

4 Not Sold Separately.

5 Applications using an Inner Pinion Bearing Slinger, place the inner pinion shims on the outboard side of the bearing. Some applications without a slinger may place the shims on the inboard side of the bearing.

MODEL 60 /248 REAR AXLES FOR FORD

BILL OF MATERIAL TABLE

AXLE			AXLE KITS				SHAFT & JOINT ASSY.	
BILL OF MATERIAL	DIFF. TYPE	RATIO	RING GEAR & PINION KIT 6	DIFFERENTIAL			RIGHT HAND SHAFT ASSY.	LEFT HAND SHAFT ASSY.
				CASE ASSY. KIT 7	CASE KIT	INNER PARTS KIT		
1979 F-250 Crew Cab - Full Float								
603725-5	Standard	3.73	706033-2X	706036X	706040X	706043X	35467-3	35467-3
603725-6	Trac Lok	3.73	706033-2X	708013	708014	707084X	35467-3	35467-3
603725-7	Standard	3.73	706033-2X	706036X	706040X	706043X	35467-3	35467-3
603725-9	Standard	4.10	706033-3X	706036X	706040X	706043X	35467-3	35467-3
603725-10	Trac Lok	4.10	706033-3X	708013	708014	707084X	35467-3	35467-3
603725-11	Standard	4.10	706033-3X	706036X	706040X	706043X	35467-3	35467-3
603725-12	Trac Lok	4.10	706033-3X	708013	708014	707084X	35467-3	35467-3
603725-13	Standard	4.56	706033-4X	706037X	706041X	706043X	35467-3	35467-3
603725-14	Trac Lok	4.56	706033-4X	707097X	706039X	707084X	35467-3	35467-3
603725-17	No Spin	4.10	706033-3X	38098	—	—	35467-3	35467-3
603725-18	Standard	3.54	706033-1X	706036X	706040X	706043X	35467-3	35467-3
603725-19	Trac Lok	3.54	706033-1X	708013	708014	707084X	35467-3	35467-3
603725-20	Standard	3.73	706033-2X	706036X	706040X	706043X	35467-3	35467-3
603725-21	Standard	4.10	706033-3X	706036X	706040X	706043X	35467-3	35467-3
603725-24	Trac Lok	4.10	706033-3X	708013	708014	707084X	35467-3	35467-3
1979 F-250 4X4 - Full Float								
603901-1	Standard	3.54	706033-1X	706036X	706040X	706043X	35467-3	35467-3
603901-2	Standard	3.54	706033-1X	706036X	706040X	706043X	35467-3	35467-3
603901-3	Standard	4.10	706033-3X	706036X	706040X	706043X	35467-3	35467-3
603901-4	Trac Lok	4.10	706033-3X	708013	708014	707084X	35467-3	35467-3
603901-5	Standard	4.10	706033-3X	706036X	706040X	706043X	35467-3	35467-3
603901-6	Trac Lok	4.10	706033-3X	708013	708014	707084X	35467-3	35467-3
603901-7	No Spin	4.10	706033-3X	38098	—	—	35467-3	35467-3
603901-8	No Spin	4.10	706033-3X	38098	—	—	35467-3	35467-3
603901-9	No Spin	3.54	706033-1X	38098	—	—	35467-3	35467-3
603901-10	Trac Lok	3.54	706033-1X	708013	708014	707084X	35467-3	35467-3
603901-11	Trac Lok	3.54	706033-1X	708013	708014	707084X	35467-3	35467-3
603901-12	Trac Lok	3.54	706033-1X	708013	708014	707084X	35467-3	35467-3
1979 F-250 4X2 - Full Float								
603926-1	Standard	3.73	706033-2X	706036X	706040X	706043X	35467-3	35467-3
603926-2	Trac Lok	3.73	706033-2X	708013	708014	707084X	35467-3	35467-3
603926-3	Trac Lok	4.10	706033-3X	708013	708014	707084X	35467-3	35467-3
603926-4	Standard	3.54	706033-1X	706036X	706040X	706043X	35467-3	35467-3
603926-5	Trac Lok	3.54	706033-1X	708013	708014	707084X	35467-3	35467-3
603926-6	Standard	4.10	706033-3X	706036X	706040X	706043X	35467-3	35467-3
603926-7	Standard	4.56	706033-4X	706037X	706041X	706043X	35467-3	35467-3
603926-8	No Spin	3.73	706033-2X	38098	—	—	35467-3	35467-3

6 See Ring Gear & Pinion Kits in XGI Catalog for ratio & tooth combinations.

7 See Differential Case Assy Kits in XGI Catalog for spline data & ratios.

MODEL 60 /248 REAR AXLES FOR FORD

BILL OF MATERIAL TABLE

AXLE			AXLE KITS				SHAFT & JOINT ASSY.	
BILL OF MATERIAL	DIFF. TYPE	RATIO	RING GEAR & PINION KIT 6	DIFFERENTIAL			RIGHT HAND SHAFT ASSY.	LEFT HAND SHAFT ASSY.
				CASE ASSY. KIT 7	CASE KIT	INNER PARTS KIT		
1980-81 F-250 3/4 Ton 4X2, 4X4 Pick-Up - Semi Float								
603943-1	Standard	3.33	706807-1X	706840X	706842X	706844X	70867-1X	70867-2X
603943-2	Standard	3.54	706807-2X	706840X	706842X	706844X	70867-1X	70867-2X
603943-3	Standard	3.73	706807-3X	706840X	706842X	706844X	70867-1X	70867-2X
603943-4	Standard	4.10	706807-4X	706840X	706842X	706844X	70867-1X	70867-2X
603943-5	Trac Lok	3.33	706807-1X	707096X	706843X	707095X	70867-1X	70867-2X
603943-6	Trac Lok	3.54	706807-2X	707096X	706843X	707095X	70867-1X	70867-2X
1980 1/2 E-250 - Full Float								
605020-1	Standard	3.54	706033-1X	706036X	706040X	706043X	37560-1	37560-2
605020-2	Standard	3.73	706033-2X	706036X	706040X	706043X	37560-1	37560-2
605020-3	Standard	3.33	706807-1X	706036X	706040X	706043X	37560-1	37560-2
605020-4	Trac Lok	3.33	706807-1X	708013	708014	707084X	37560-1	37560-2
605020-5	Trac Lok	3.54	706033-1X	708013	708014	707084X	37560-1	37560-2
1981-81 1/2 E-250 Van - Semi Float								
605031-1	Standard	3.73	706807-3X	706840X	706842X	706844X	70867-3X	70867-4X
605031-2	Standard	3.54	706807-2X	706840X	706842X	706844X	70867-3X	70867-4X
605031-3	Trac Lok	3.54	706807-2X	707096X	706843X	707095X	70867-3X	70867-4X
605031-4	Standard	3.33	706807-1X	706840X	706842X	706844X	70867-3X	70867-4X
605031-5	Trac Lok	3.33	706807-1X	707096X	706843X	707095X	70867-3X	70867-4X
605031-6	Standard	4.10	706807-4X	706840X	706842X	706844X	70867-3X	70867-4X
605031-7	Trac Lok	4.10	706807-4X	707096X	706843X	707095X	70867-3X	70867-4X
1982-83 F-250 - Semi Float								
605086-1	Standard	3.53	706834-1X	706840X	706842X	706844X	70867-1X	70867-2X
605086-2	Standard	3.54	706834-2X	706840X	706842X	706844X	70867-1X	70867-2X
605086-3	Standard	3.73	706834-3X	706840X	706842X	706844X	70867-1X	70867-2X
605086-5	Trac Lok	3.33	706834-1X	707096X	706843X	707095X	70867-1X	70867-2X
605086-6	Trac Lok	3.54	706834-2X	707096X	706843X	707095X	70867-1X	70867-2X
605086-7	Trac Lok	3.73	706834-3X	707096X	706843X	707095X	70867-1X	70867-2X
1982-83 E-250 Van - Semi Float								
605089-1	Standard	3.73	706834-3X	706840X	706842X	706844X	70867-3X	70867-4X
605089-2	Standard	3.54	706834-2X	706840X	706842X	706844X	70867-3X	70867-4X
605089-3	Trac Lok	3.54	706834-2X	707096X	706843X	707095X	70867-3X	70867-4X
605089-4	Standard	3.33	706834-1X	706840X	706842X	706844X	70867-3X	70867-4X
605089-5	Trac Lok	3.33	706834-1X	707096X	706843X	707095X	70867-3X	70867-4X
605089-6	Standard	4.10	706834-4X	706840X	706842X	706844X	70867-3X	70867-4X
605089-7	Trac Lok	4.10	706834-4X	707096X	706843X	707095X	70867-3X	70867-4X
605089-8	Standard	3.54	706834-2X	706840X	706842X	706844X	70867-3X	70867-4X
605089-9	Trac Lok	3.54	706834-2X	707096X	706843X	707095X	70867-3X	70867-4X

6 See Ring Gear & Pinion Kits in XGI Catalog for ratio & tooth combinations.

7 See Differential Case Assy Kits in XGI Catalog for spline data & ratios.

MODEL 60 /248 REAR AXLES FOR FORD

BILL OF MATERIAL TABLE

AXLE			AXLE KITS				SHAFT & JOINT ASSY.	
BILL OF MATERIAL	DIFF. TYPE	RATIO	RING GEAR & PINION KIT 6	DIFFERENTIAL			RIGHT HAND SHAFT ASSY.	LEFT HAND SHAFT ASSY.
				CASE ASSY. KIT 7	CASE KIT	INNER PARTS KIT		
1983 1/2 F-350 Pick-Up - Semi Float								
605145-1	Standard	3.54	706834-2X	706840X	706842X	706844X	70867-5X	70867-6X
605145-2	Trac Lok	3.54	706834-2X	707096X	706843X	707095X	70867-5X	70867-6X
605145-3	Standard	3.73	706834-3X	706840X	706842X	706844X	70867-5X	70867-6X
605145-4	Standard	4.10	706834-4X	706840X	706842X	706844X	70867-5X	70867-6X
605145-5	Trac Lok	4.10	706834-4X	707096X	706843X	707095X	70867-5X	70867-6X
1983 1/2 F-350 Chassis - Semi Float								
605146-1	Standard	3.73	706834-3X	706840X	706842X	706844X	70867-7X	70867-8X
605146-2	Standard	4.10	706834-4X	706840X	706842X	706844X	70867-7X	70867-8X
605146-3	Trac Lok	4.10	706834-4X	707096X	706843X	707095X	70867-7X	70867-8X
605146-4	Standard	3.54	706834-4X	706840X	706842X	706844X	70867-7X	70867-8X
605146-5	Trac Lok	3.54	706834-2X	707096X	706843X	707095X	70867-7X	70867-8X
1983 1/2 E-250 Van - Semi Float								
605179-1	Standard	4.10	706834-4X	706840X	706842X	706844X	70867-3X	70867-4X
605179-2	Trac Lok	4.10	706834-4X	707096X	706843X	707095X	70867-3X	70867-4X
605179-3	Standard	3.54	706834-2X	706840X	706842X	706844X	70867-3X	70867-4X
605179-4	Trac Lok	3.54	706834-2X	707096X	706843X	707095X	70867-3X	70867-4X
605179-5	Standard	3.54	706834-2X	706840X	706842X	706844X	70867-3X	70867-4X
605179-6	Trac Lok	3.54	706834-2X	707096X	706843X	707095X	70867-3X	70867-4X
605179-7	Standard	3.73	706834-3X	706840X	706842X	706844X	70867-3X	70867-4X
605179-8	Trac Lok	3.73	706834-3X	707096X	706843X	707095X	70867-3X	70867-4X
605179-9	Standard	4.10	706834-4X	706840X	706842X	706844X	70867-3X	70867-4X
1983 1/2-85 F-250 - Semi Float								
605169-2	Standard	3.54	706834-2X	706840X	706842X	706844X	70867-1X	70867-2X
605169-3	Standard	3.73	706834-3X	706840X	706842X	706844X	70867-1X	70867-2X
605169-5	Trac Lok	3.54	706834-2X	707096X	706843X	707095X	70867-1X	70867-2X
605169-6	Standard	4.10	706834-4X	706840X	706842X	706844X	70867-1X	70867-2X
605169-7	Standard	3.54	706834-2X	706840X	706842X	706844X	70867-1X	70867-2X
605169-8	Trac Lok	3.54	706834-2X	707096X	706843X	707095X	70867-1X	70867-2X
605169-9	Standard	3.73	706834-3X	706840X	706842X	706844X	70867-1X	70867-2X
605169-10	Trac Lok	3.73	706834-3X	707096X	706843X	707095X	70867-1X	70867-2X
605169-11	Standard	4.10	706834-4X	706840X	706842X	706844X	70867-1X	70867-2X
605169-12	Trac Lok	4.10	706834-4X	707096X	706843X	707095X	70867-1X	70867-2X
605169-13	Standard	4.10	706834-4X	706840X	706842X	706844X	70867-1X	70867-2X
605169-14	Trac Lok	4.10	706834-4X	707096X	706843X	707095X	70867-1X	70867-2X
605169-15	Standard	3.54	706834-2X	706840X	706842X	706844X	70867-1X	70867-2X
605169-16	Trac Lok	3.54	706834-2X	707096X	706843X	707095X	70867-1X	70867-2X

6 See Ring Gear & Pinion Kits in XGI Catalog for ratio & tooth combinations.

7 See Differential Case Assy Kits in XGI Catalog for spline data & ratios.

MODEL 60 /248 REAR AXLES FOR FORD

BILL OF MATERIAL TABLE

AXLE			AXLE KITS				SHAFT & JOINT ASSY.	
BILL OF MATERIAL	DIFF. TYPE	RATIO	RING GEAR & PINION KIT 6	DIFFERENTIAL			RIGHT HAND SHAFT ASSY.	LEFT HAND SHAFT ASSY.
				CASE ASSY. KIT 7	CASE KIT	INNER PARTS KIT		
1984-85 E-250 Van - Semi Float								
605211-1	Standard	3.54	706834-2X	706840X	706842X	706844X	70867-3X	70867-4X
605211-2	Trac Lok	3.54	706834-2X	707096X	706843X	707095X	70867-3X	70867-4X
605211-3	Trac Lok	3.73	706834-3X	707096X	706843X	707095X	70867-3X	70867-4X
605211-4	Trac Lok	4.10	706834-4X	707096X	706843X	707095X	70867-3X	70867-4X
1985 E-250 Van SRW - Semi Float								
605251-1	Standard	3.54	706834-2X	706840X	706842X	706844X	70867-3X	70867-4X
605251-2	Trac Lok	3.54	706834-2X	707096X	706843X	707095X	70867-3X	70867-4X
605251-3	Standard	3.73	706834-3X	706840X	706842X	706844X	70867-3X	70867-4X
605251-4	Trac Lok	3.73	706834-3X	707096X	706843X	707095X	70867-3X	70867-4X
1985 F-250 - Semi Float								
605254-1	Standard	3.54	706834-2X	706840X	706842X	706844X	70867-15X	70867-16X
605254-2	Trac Lok	3.54	706834-2X	707096X	706843X	707095X	70867-15X	70867-16X
605254-3	Trac Lok	3.73	706834-3X	706840X	706842X	706844X	70867-15X	70867-16X
605254-4	Standard	4.10	706834-4X	706840X	706842X	706844X	70867-15X	70867-16X
605254-5	Trac Lok	4.10	706834-4X	707096X	706843X	707095X	70867-15X	70867-16X
1986-88 E-250 Van SRW - Semi Float								
605298-1	Standard	3.54	706834-2X	706840X	706842X	706844X	70867-17X	70867-18X
605298-2	Trac Lok	3.54	706834-2X	707096X	706843X	707095X	70867-17X	70867-18X
605298-3	Standard	3.73	706834-3X	706840X	706842X	706844X	70867-17X	70867-18X
605298-4	Trac Lok	3.73	706834-3X	707096X	706843X	707095X	70867-17X	70867-18X
1988 E-350 Van SRW - Full Float								
605355-1	Standard	3.54	706033-1X	706036X	706040X	706043X	39260-7	39260-8
605355-2	Trac Lok	3.54	706033-1X	708013	708014	707084X	39260-7	39260-8
605355-3	Standard	4.10	706033-3X	706036X	706040X	706043X	39260-7	39260-8
605355-4	Trac Lok	4.10	706033-3X	708013	708014	707084X	39260-7	39260-8
1989 E-350 Van SRW - Full Float								
605413-1	Standard	3.54	706033-1X	707213X	707214X	706043X	39260-7	39260-8
605413-2	Standard	4.10	706033-3X	707213X	707214X	706043X	39260-7	39260-8
605413-3	Trac Lok	4.10	706033-3X	707143X	707144X	707084X	39260-7	39260-8
1989 E-250 Van SRW - Semi Float								
605414-1	Standard	3.54	706834-2X	707211X	707212X	706844X	70867-17X	70867-18X
605414-2	Standard	3.73	706834-3X	707211X	707212X	706844X	70867-17X	70867-18X
605414-3	Trac Lok	3.73	706834-3X	707163X	707164X	707095X	70867-17X	70867-18X

6 See Ring Gear & Pinion Kits in XGI Catalog for ratio & tooth combinations.

7 See Differential Case Assy Kits in XGI Catalog for spline data & ratios.

MODEL 60 /248 REAR AXLES FOR FORD

BILL OF MATERIAL TABLE

AXLE			AXLE KITS				SHAFT & JOINT ASSY.	
BILL OF MATERIAL	DIFF. TYPE	RATIO	RING GEAR & PINION KIT 6	DIFFERENTIAL			RIGHT HAND SHAFT ASSY.	LEFT HAND SHAFT ASSY.
				CASE ASSY. KIT 7	CASE KIT	INNER PARTS KIT		
1990-91 1/2 E-250 Van SRW - Semi Float - ABS								
605419-1	Standard	3.54	706834-2X	707211X	707212X	706844X	70867-17X	70867-18X
605419-2	Standard	3.73	706834-3X	707211X	707212X	706844X	70867-17X	70867-18X
605419-3	Trac Lok	3.73	706834-3X	707163X	707164X	707095X	70867-17X	70867-18X
1990-91 1/2 E-250 Van SRW - Full Float - ABS								
605420-1	Standard	3.54	706033-1X	707213X	707214X	706043X	39260-7	39260-8
605420-2	Standard	4.10	706033-3X	707213X	707214X	706043X	39260-7	39260-8
605420-3	Trac Lok	4.10	706033-3X	707143X	707144X	707084X	39260-7	39260-8
605420-4	Trac Lok	3.54	706033-1X	707143X	707144X	707084X	39260-7	39260-8
1992 E-250 Van SRW - Semi Float - ABS								
605556-1	Standard	3.54	706834-2X	707211X	707212X	706844X	70867-17X	70867-18X
605556-2	Standard	3.73	706834-3X	707211X	707212X	706844X	70867-17X	70867-18X
605556-3	Trac Lok	3.73	706834-3X	707163X	707164X	707095X	70867-17X	70867-18X
1992-93 1/2 E-350 Van SRW - Full Float - ABS								
605487-1	Standard	3.54	706033-1X	707213X	707214X	706043X	39260-7	39260-8
605487-2	Standard	4.10	706033-3X	707213X	707214X	706043X	39260-7	39260-8
605487-3	Trac Lok	4.10	706033-3X	707143X	707144X	707084X	39260-7	39260-8
605487-4	Trac Lok	3.54	706033-1X	707143X	707144X	707084X	39260-7	39260-8
1993-94 E-250 Van SRW - Semi Float - ABS								
605623-1	Standard	3.54	706834-3X	707211X	707212X	706844X	70867-17X	70867-18X
1993-95 E-250 Van SRW - Semi Float - ABS								
605569-1	Standard	3.54	706834-2X	707211X	707212X	706844X	70867-17X	70867-18X
605569-2	Standard	3.73	706834-3X	707211X	707212X	706844X	70867-17X	70867-18X
605569-3	Trac Lok	3.73	706834-3X	707163X	707164X	707095X	70867-17X	70867-18X
1993 1/2-94 E-350 Van SRW - Full Float - ABS								
605624-1	Standard	4.09	706033-13X	707213X	707214X	706043X	39260-7	39260-8
605624-2	Trac Lok	4.09	706033-13X	707143X	707144X	707084X	39260-7	39260-8
605624-3	Standard	3.54	706033-1X	707213X	707214X	706043X	39260-7	39260-8
605624-4	Trac Lok	3.54	706033-1X	707143X	707144X	707084X	39260-7	39260-8

6 See Ring Gear & Pinion Kits in XGI Catalog for ratio & tooth combinations.

7 See Differential Case Assy Kits in XGI Catalog for spline data & ratios.

MODEL 60 /248 REAR AXLES FOR FORD

BILL OF MATERIAL TABLE

AXLE			AXLE KITS				SHAFT & JOINT ASSY.	
BILL OF MATERIAL	DIFF. TYPE	RATIO	RING GEAR & PINION KIT 6	DIFFERENTIAL			RIGHT HAND SHAFT ASSY.	LEFT HAND SHAFT ASSY.
				CASE ASSY. KIT 7	CASE KIT	INNER PARTS KIT		
1994-94 1/2 E-350 Van SRW - Full Float - ABS								
605670-1	Standard	4.09	706033-13X	707213X	707214X	706043X	39260-7	39260-8
605670-2	Trac Lok	4.09	706033-13X	707143X	707144X	707084X	39260-7	39260-8
605670-3	Standard	3.54	706033-1X	707213X	707214X	706043X	39260-7	39260-8
605670-4	Trac Lok	3.54	706033-1X	707143X	707144X	707084X	39260-7	39260-8
1994-95 E-350 Van SRW - Full Float - ABS								
605639-1	Standard	3.54	706033-1X	707213X	707214X	706043X	39260-7	39260-8
605639-2	Trac Lok	3.54	706033-1X	707143X	707144X	707084X	39260-7	39260-8
605639-3	Standard	3.73	706033-2X	707213X	707214X	706043X	39260-7	39260-8
605639-4	Trac Lok	3.73	706033-2X	707143X	707144X	707084X	39260-7	39260-8
605639-5	Standard	4.09	706033-13X	707213X	707214X	706043X	39260-7	39260-8
605639-6	Trac Lok	4.09	706033-13X	707143X	707144X	707084X	39260-7	39260-8
1994 1/2 E-350 Van SRW - Full Float - ABS								
605713-1	Standard	4.09	706033-13X	707213X	707214X	706043X	39260-7	39260-8
605713-2	Trac Lok	4.09	706033-13X	707143X	707144X	707084X	39260-7	39260-8
605713-3	Standard	3.54	706033-1X	707213X	707214X	706043X	39260-7	39260-8
605713-4	Trac Lok	3.54	706033-1X	707143X	707144X	707084X	39260-7	39260-8
1995-96 E-350 Van SRW - Full Float - ABS								
605684-1	Standard	3.54	706033-1X	707213X	707214X	706043X	39260-7	39260-8
605684-2	Standard	3.54	706033-1X	707213X	707214X	706043X	39260-7	39260-8
605684-3	Standard	4.09	706033-13X	707213X	707214X	706043X	39260-7	39260-8
605684-4	Trac Lok	4.09	706033-13X	707143X	707144X	707084X	39260-7	39260-8
605684-5	Standard	3.73	706033-2X	707213X	707214X	706043X	39260-7	39260-8
605684-6	Trac Lok	3.73	706033-2X	707143X	707144X	707084X	39260-7	39260-8
605684-7	Standard	3.54	706033-1X	707213X	707214X	706043X	39260-7	39260-8
605684-8	Trac Lok	3.54	706033-1X	707143X	707144X	707084X	39260-7	39260-8
605684-9	Standard	4.09	706033-13X	707213X	707214X	706043X	39260-7	39260-8
605684-10	Trac Lok	4.09	706033-13X	707143X	707144X	707084X	39260-7	39260-8
605684-11	Standard	3.73	706033-2X	707213X	707214X	706043X	39260-7	39260-8
605684-12	Trac Lok	3.73	706033-2X	707143X	707144X	707084X	39260-7	39260-8
605685-1	Standard	3.55	706033-15X	707387X	707214X	707389X	43811-16	43811-17
605685-2	Trac Lok	3.55	706033-15X	707388X	707144X	707390X	43811-16	43811-17
605685-3	Standard	4.10	706033-16X	707387X	707214X	707389X	43811-16	43811-17
605685-4	Trac Lok	4.10	706033-16X	707388X	707144X	707390X	43811-16	43811-17
605685-5	Standard	3.55	706033-15X	707387X	707214X	707389X	43811-16	43811-17
605685-6	Trac Lok	3.55	706033-15X	707388X	707144X	707390X	43811-16	43811-17
605685-7	Standard	4.10	706033-16X	707387X	707214X	707389X	43811-16	43811-17
605685-8	Trac Lok	4.10	706033-16X	707388X	707144X	707390X	43811-16	43811-17

6 See Ring Gear & Pinion Kits in XGI Catalog for ratio & tooth combinations.

7 See Differential Case Assy Kits in XGI Catalog for spline data & ratios.

MODEL 60 /248 REAR AXLES FOR FORD

BILL OF MATERIAL TABLE

AXLE			AXLE KITS				SHAFT & JOINT ASSY.	
BILL OF MATERIAL	DIFF. TYPE	RATIO	RING GEAR & PINION KIT 6	DIFFERENTIAL			RIGHT HAND SHAFT ASSY.	LEFT HAND SHAFT ASSY.
				CASE ASSY. KIT 7	CASE KIT	INNER PARTS KIT		
1995-96 E-250 Van SRW - Semi Float - ABS								
605700-1	Standard	3.54	706834-2X	707211X	707212X	706844X	75344-1X	75344-2X
605700-2	Standard	3.73	706834-3X	707211X	707212X	706844X	75344-1X	75344-2X
605700-3	Trac Lok	3.73	706834-3X	707163X	707164X	707095X	75344-1X	75344-2X
605700-4	Standard	3.54	706834-2X	707211X	707212X	706844X	75344-1X	75344-2X
605700-5	Standard	3.73	706834-3X	707211X	707212X	706844X	75344-1X	75344-2X
605700-6	Trac Lok	3.73	706834-3X	707163X	707164X	707095X	75344-1X	75344-2X
1995-97 E-250 Van SRW - Semi Float - ABS								
605750-1	Standard	3.73	706834-3X	707211X	707212X	706844X	75344-1X	75344-2X
1996 E-350 Van SRW - Full Float - ABS								
605843-1	Standard	3.55	706033-15X	707387X	707214X	707389X	43811-16	43811-17
605843-2	Trac Lok	3.55	706033-15X	707388X	707144X	707390X	43811-16	43811-17
605843-3	Standard	4.10	706033-16X	707387X	707214X	707389X	43811-16	43811-17
605843-4	Trac Lok	4.10	706033-16X	707388X	707144X	707390X	43811-16	43811-17
1996-96 1/2 E-250 Van SRW - Semi Float - ABS								
605841-1	Standard	3.54	706834-2X	707211X	707212X	706844X	75344-1X	75344-2X
605841-2	Trac Lok	3.54	706834-3X	707163X	707164X	707095X	75344-1X	75344-2X
605841-3	Standard	3.73	706834-3X	707211X	707212X	706844X	75344-1X	75344-2X
605841-4	Trac Lok	3.73	706834-3X	707163X	707164X	707095X	75344-1X	75344-2X
1996-96 1/2 E-350 Van SRW - Full Float - ABS								
605842-1	Standard	3.54	706033-1X	707213X	707214X	706043X	39260-7	39260-8
605842-2	Trac Lok	3.54	706033-1X	707143X	707144X	707084X	39260-7	39260-8
605842-3	Standard	3.73	706033-2X	707213X	707214X	706043X	39260-7	39260-8
605842-4	Trac Lok	3.73	706033-2X	707143X	707144X	707084X	39260-7	39260-8
605842-5	Standard	4.09	706033-13X	707213X	707214X	706043X	39260-7	39260-8
605842-6	Trac Lok	4.09	706033-13X	707143X	707144X	707084X	39260-7	39260-8
1996-97 E-250 Van SRW - Semi Float - ABS								
605859-1	Standard	3.73	706834-3X	707211X	707212X	706844X	75344-1X	75344-2X
1996-99 E-250 Van SRW - Semi Float - ABS								
605920-1	Standard	3.73	706834-3X	707211X	707212X	706844X	75344-1X	75344-2X
605921-1	Trac Lok	3.73	706834-3X	707163X	707164X	707095X	75344-1X	75344-2X

6 See Ring Gear & Pinion Kits in XGI Catalog for ratio & tooth combinations.

7 See Differential Case Assy Kits in XGI Catalog for spline data & ratios.

MODEL 60 /248 REAR AXLES FOR FORD

BILL OF MATERIAL TABLE

AXLE			AXLE KITS				SHAFT & JOINT ASSY.	
BILL OF MATERIAL	DIFF. TYPE	RATIO	RING GEAR & PINION KIT 6	DIFFERENTIAL			RIGHT HAND SHAFT ASSY.	LEFT HAND SHAFT ASSY.
				CASE ASSY. KIT 7	CASE KIT	INNER PARTS KIT		
1996 1/2 E-350 Van SRW - Full Float - ABS								
605934-1	Standard	3.54	706033-1X	707213X	707214X	706043X	39260-7	39260-8
605934-2	Trac Lok	3.54	706033-1X	707449X	707144X	707084-1X	39260-7	39260-8
605934-3	Standard	3.73	706033-2X	707213X	707214X	706043X	39260-7	39260-8
605934-4	Trac Lok	3.73	706033-2X	707449X	707144X	707084-1X	39260-7	39260-8
605934-5	Standard	4.09	706033-13X	707213X	707214X	706043X	39260-7	39260-8
605934-6	Trac Lok	4.09	706033-13X	707449X	707144X	707084-1X	39260-7	39260-8
605935-1	Standard	3.55	706033-15X	707387X	707214X	707389X	43811-16	43811-17
605935-2	Trac Lok	3.55	706033-15X	707432X	707144X	707434X	43811-16	43811-17
605935-3	Standard	4.10	706033-16X	707387X	707214X	707389X	43811-16	43811-17
605935-4	Trac Lok	4.10	706033-16X	707432X	707144X	707434X	43811-16	43811-17
1996 1/2-97 E-250 Van SRW - Semi Float - ABS								
605933-1	Standard	3.54	706834-2X	707211X	707212X	706844X	75344-1X	75344-2X
605933-3	Standard	3.73	706834-3X	707211X	707212X	706844X	75344-1X	75344-2X
605933-4	Trac Lok	3.73	706834-3X	707163X	707164X	707095X	75344-1X	75344-2X
1997 1/2 E-250 Van SRW - Semi Float - ABS								
605947-1	Standard	3.73	707424-2X	707211-1X	707212-1X	706844X	75344-1X	75344-2X
605947-2	Trac Lok	3.73	707424-2X	707427X	707428X	707435X	75344-1X	75344-2X
605947-3	Standard	4.09	707424-3X	707211-1X	707212-1X	706844X	75344-1X	75344-2X
605947-4	Trac Lok	4.09	707424-3X	707427X	707428X	707435X	75344-1X	75344-2X
1997 1/2 E-350 Van SRW - Full Float - ABS								
605948-1	Standard	3.55	708125-6	707387-1X	707214-1X	707389X	43811-16	43811-17
605948-2	Trac Lok	3.55	708125-6	707432X	707433X	707434X	43811-16	43811-17
605948-3	Standard	3.73	708125-4	707387-1X	707214-1X	707389X	43811-16	43811-17
605948-4	Trac Lok	3.73	708125-4	707432X	707433X	707434X	43811-16	43811-17
605949-1	Standard	4.10	708125-5	707387-1X	707214-1X	707389X	43811-16	43811-17
605949-2	Trac Lok	4.10	708125-5	707432X	707433X	707434X	43811-16	43811-17
1997 1/2-98 E-250 Van SRW - Semi Float - ABS								
606029-1	Standard	4.09	707424-3X	707211-1X	707212-1X	706844X	75344-1X	75344-2X
606029-2	Trac Lok	4.09	707424-3X	707427X	707428X	707435X	75344-1X	75344-2X

6 See Ring Gear & Pinion Kits in XGI Catalog for ratio & tooth combinations.

7 See Differential Case Assy Kits in XGI Catalog for spline data & ratios.

MODEL 60 /248 REAR AXLES FOR FORD

BILL OF MATERIAL TABLE

AXLE			AXLE KITS				SHAFT & JOINT ASSY.	
BILL OF MATERIAL	DIFF. TYPE	RATIO	RING GEAR & PINION KIT 6	DIFFERENTIAL			RIGHT HAND SHAFT ASSY.	LEFT HAND SHAFT ASSY.
				CASE ASSY. KIT 7	CASE KIT	INNER PARTS KIT		
1998 E-350 Van SRW - Full Float - ABS								
606049-1	Standard	3.55	708125-6	707387-1X	707214-1X	707389X	43811-16	43811-17
606049-2	Trac Lok	3.55	708125-6	707432X	707433X	707434X	43811-16	43811-17
606049-3	Standard	3.73	708125-4	707387-1X	707214-1X	707389X	43811-16	43811-17
606049-4	Trac Lok	3.73	708125-4	707432X	707433X	707434X	43811-16	43811-17
606050-1	Standard	4.10	708125-5	707387-1X	707214-1X	707389X	43811-16	43811-17
606050-2	Trac Lok	4.10	708125-5	707432X	707433X	707434X	43811-16	43811-17
1998 E-250 Van SRW - Semi Float - ABS								
606163-1	Trac Lok	4.09	707424-3X	707427X	707428X	707435X	75344-1X	75344-2X
1998-98 1/2 E-250 Van SRW - Semi Float - ABS								
606017-1	Standard	3.73	707424-2X	707211-1X	707212-1X	706844X	75344-1X	75344-2X
606017-2	Trac Lok	3.73	707424-2X	707427X	707428X	707435X	75344-1X	75344-2X
606017-3	Standard	4.09	707424-3X	707211-1X	707212-1X	706844X	75344-1X	75344-2X
606017-4	Trac Lok	4.09	707424-3X	707427X	707428X	707435X	75344-1X	75344-2X
1998 1/2-99 E-250 Van SRW - Semi Float - ABS								
606102-1	Trac Lok	4.09	707424-3X	707427X	707428X	707435X	75344-1X	75344-2X
606161-1	Standard	3.73	707424-2X	707211-1X	707212-1X	706844X	75344-1X	75344-2X
606161-2	Trac Lok	3.73	707424-2X	707427X	707428X	707435X	75344-1X	75344-2X
606161-3	Standard	4.09	707424-3X	707211-1X	707212-1X	706844X	75344-1X	75344-2X
606161-4	Trac Lok	4.09	707424-3X	707427X	707428X	707435X	75344-1X	75344-2X
1998 1/2-99 E-350 Van SRW - Full Float - ABS								
606162-1	Standard	3.55	708125-6	707387-1X	707214-1X	707389X	43811-16	43811-17
606162-2	Trac Lok	3.55	708125-6	707432X	707433X	707434X	43811-16	43811-17
606162-3	Standard	3.73	708125-4	707387-1X	707214-1X	707389X	43811-16	43811-17
606162-4	Trac Lok	3.73	708125-4	707432X	707433X	707434X	43811-16	43811-17
606162-5	Standard	4.10	708125-5	707387-1X	707214-1X	707389X	43811-16	43811-17
606162-6	Trac Lok	4.10	708125-5	707432X	707433X	707434X	43811-16	43811-17
1999 E-250 Van SRW - Semi Float - ABS								
606022-1	Standard	3.73	707424-2X	707211-1X	707212-1X	706844X	75344-1X	75344-2X
606022-2	Trac Lok	3.73	707424-2X	707427X	707428X	707435X	75344-1X	75344-2X
606022-3	Standard	4.09	707424-3X	707211-1X	707212-1X	706844X	75344-1X	75344-2X
606022-4	Trac Lok	4.09	707424-3X	707427X	707428X	707435X	75344-1X	75344-2X

6 See Ring Gear & Pinion Kits in XGI Catalog for ratio & tooth combinations.

7 See Differential Case Assy Kits in XGI Catalog for spline data & ratios.

MODEL 60 /248 REAR AXLES FOR FORD

BILL OF MATERIAL TABLE

AXLE			AXLE KITS				SHAFT & JOINT ASSY.	
BILL OF MATERIAL	DIFF. TYPE	RATIO	RING GEAR & PINION KIT 6	DIFFERENTIAL			RIGHT HAND SHAFT ASSY.	LEFT HAND SHAFT ASSY.
				CASE ASSY. KIT 7	CASE KIT	INNER PARTS KIT		
1999 E-350 Van SRW - Full Float - ABS								
606109-1	Standard	3.55	708125-6	707387-1X	707214-1X	707389X	43811-16	43811-17
606109-2	Trac Lok	3.55	708125-6	707432X	707433X	707434X	43811-16	43811-17
606109-3	Standard	3.73	708125-4	707387-1X	707214-1X	707389X	43811-16	43811-17
606109-4	Trac Lok	3.73	708125-4	707432X	707433X	707434X	43811-16	43811-17
606109-5	Standard	4.10	708125-5	707387-1X	707214-1X	707389X	43811-16	43811-17
606109-6	Trac Lok	4.10	708125-5	707432X	707433X	707434X	43811-16	43811-17
1999-99 1/2 E-350 Van SRW - Full Float - ABS								
606190-1	Standard	3.55	708125-6	707387-1X	707214-1X	707389X	43811-16	43811-17
606190-2	Trac Lok	3.55	708125-6	707432X	707433X	707434X	43811-16	43811-17
606190-3	Standard	3.73	708125-4	707387-1X	707214-1X	707389X	43811-16	43811-17
606190-4	Trac Lok	3.73	708125-4	707432X	707433X	707434X	43811-16	43811-17
606190-5	Standard	4.10	708125-5	707387-1X	707214-1X	707389X	43811-16	43811-17
606190-6	Trac Lok	4.10	708125-5	707432X	707433X	707434X	43811-16	43811-17
1999-99 1/2 E-250 Chassis SRW - Semi Float - ABS								
606199-1	Trac Lok	4.09	707424-3X	707427X	707428X	707435X	75344-1X	75344-2X
1999 1/2 E-250 Van SRW - Semi Float - ABS								
606188-1	Standard	3.73	707424-2X	707211-1X	707212-1X	706844X	75344-1X	75344-2X
606188-2	Trac Lok	3.73	707424-2X	707427X	707428X	707435X	75344-1X	75344-2X
606188-3	Standard	4.09	707424-3X	707211-1X	707212-1X	706844X	75344-1X	75344-2X
606188-4	Trac Lok	4.09	707424-3X	707427X	707428X	707435X	75344-1X	75344-2X
1999 1/2 E-250 Van SRW - Semi Float - ABS								
606192-1	Standard	3.73	707424-2X	707211-1X	707212-1X	706844X	75344-1X	75344-2X
606192-2	Trac Lok	3.73	707424-2X	707427X	707428X	707435X	75344-1X	75344-2X
1999 1/2-2000 E-350 Van SRW - Full Float - ABS								
606232-1	Standard	3.55	708125-6	707387-1X	707214-1X	707389X	43811-16	43811-17
606232-2	Trac Lok	3.55	708125-6	707432X	707433X	707434X	43811-16	43811-17
606232-3	Standard	3.73	708125-4	707387-1X	707214-1X	707389X	43811-16	43811-17
606232-4	Trac Lok	3.73	708125-4	707432X	707433X	707434X	43811-16	43811-17
606232-5	Standard	4.10	708125-5	707387-1X	707214-1X	707389X	43811-16	43811-17
606232-6	Trac Lok	4.10	708125-5	707432X	707433X	707434X	43811-16	43811-17

6 See Ring Gear & Pinion Kits in XGI Catalog for ratio & tooth combinations.

7 See Differential Case Assy Kits in XGI Catalog for spline data & ratios.

MODEL 60 /248 REAR AXLES FOR FORD

BILL OF MATERIAL TABLE

AXLE			AXLE KITS				SHAFT & JOINT ASSY.	
BILL OF MATERIAL	DIFF. TYPE	RATIO	RING GEAR & PINION KIT 6	DIFFERENTIAL			RIGHT HAND SHAFT ASSY.	LEFT HAND SHAFT ASSY.
				CASE ASSY. KIT 7	CASE KIT	INNER PARTS KIT		
2000-2000 1/2 E-250 Van SRW - Semi Float - ABS								
606306-1	Standard	3.73	708125-4	707211-1X	707212-1X	706844X	75344-1X	75344-2X
606306-2	Trac Lok	3.73	708125-4	707427X	707428X	707435X	75344-1X	75344-2X
606306-3	Standard	4.09	708125-5	707211-1X	707212-1X	706844X	75344-1X	75344-2X
606306-4	Trac Lok	4.09	708125-5	707427X	707428X	707435X	75344-1X	75344-2X
606307-1	Standard	3.73	708125-4	707211-1X	707212-1X	706844X	75344-1X	75344-2X
606307-2	Trac Lok	3.73	708125-4	707427X	707428X	707435X	75344-1X	75344-2X
2000 1/2 E-350 Van SRW - Full Float - ABS								
606314-1	Standard	3.55	708125-6	707387-1X	707214-1X	707389X	43811-16	43811-17
606314-2	Trac Lok	3.55	708125-6	707432X	707433X	707434X	43811-16	43811-17
606314-3	Standard	3.73	708125-4	707387-1X	707214-1X	707389X	43811-16	43811-17
606314-4	Trac Lok	3.73	708125-4	707432X	707433X	707434X	43811-16	43811-17
606314-5	Standard	4.10	708125-5	707387-1X	707214-1X	707389X	43811-16	43811-17
606314-6	Trac Lok	4.10	708125-5	707432X	707433X	707434X	43811-16	43811-17
606522-1	Standard	3.55	708125-6	707387-1X	707214-1X	707389X	43811-16	43811-17
606522-2	Trac Lok	3.55	708125-6	707432X	707433X	707434X	43811-16	43811-17
606522-3	Standard	3.73	708125-4	707387-1X	707214-1X	707389X	43811-16	43811-17
606522-4	Trac Lok	3.73	708125-4	707432X	707433X	707434X	43811-16	43811-17
606522-5	Standard	4.10	708125-5	707387-1X	707214-1X	707389X	43811-16	43811-17
606522-6	Trac Lok	4.10	708125-5	707432X	707433X	707434X	43811-16	43811-17
2001 E-350 SRW - Semi Float - ABS - HD								
606023-1	Standard	3.55	708125-6	707211-1X	707212-1X	706844X	76002-1X	76002-2X
606023-2	Trac Lok	3.55	708125-6	707427X	707428X	707435X	76002-1X	76002-2X
606023-3	Standard	3.73	708125-4	707211-1X	707212-1X	706844X	76002-1X	76002-2X
606023-4	Trac Lok	3.73	708125-4	707427X	707428X	707435X	76002-1X	76002-2X
606023-5	Standard	4.10	708125-5	707211-1X	707212-1X	706844X	76002-1X	76002-2X
606023-6	Trac Lok	4.10	708125-5	707427X	707428X	707435X	76002-1X	76002-2X
2001 E-250 Van SRW - Semi Float - ABS								
606601-1	Standard	3.73	708125-1	707211-1X	707212-1X	706844X	75344-1X	75344-2X
606601-2	Trac Lok	3.73	708125-1	707427X	707428X	707435X	75344-1X	75344-2X
606601-3	Standard	4.10	708125-5	707211-1X	707212-1X	706844X	75344-1X	75344-2X
606601-4	Trac Lok	4.10	708125-5	707427X	707428X	707435X	75344-1X	75344-2X
606602-1	Standard	3.73	708125-1	707211-1X	707212-1X	706844X	75344-1X	75344-2X
606602-2	Trac Lok	3.73	708125-1	707427X	707428X	707435X	75344-1X	75344-2X

6 See Ring Gear & Pinion Kits in XGI Catalog for ratio & tooth combinations.

7 See Differential Case Assy Kits in XGI Catalog for spline data & ratios.

MODEL 60 /248 REAR AXLES FOR FORD

BILL OF MATERIAL TABLE

AXLE			AXLE KITS				SHAFT & JOINT ASSY.	
BILL OF MATERIAL	DIFF. TYPE	RATIO	RING GEAR & PINION KIT 6	DIFFERENTIAL			RIGHT HAND SHAFT ASSY.	LEFT HAND SHAFT ASSY.
				CASE ASSY. KIT 7	CASE KIT	INNER PARTS KIT		
2001 E-350 Van SRW - Full Float - ABS								
606604-1	Standard	3.55	708125-6	707387-1X	707214-1X	707389X	43811-16	43811-17
606604-2	Trac Lok	3.55	708125-6	707432X	707433X	707434X	43811-16	43811-17
606604-3	Standard	3.73	708125-4	707387-1X	707214-1X	707389X	43811-16	43811-17
606604-4	Trac Lok	3.73	708125-4	707432X	707433X	707434X	43811-16	43811-17
606604-5	Standard	4.10	708125-5	707387-1X	707214-1X	707389X	43811-16	43811-17
606604-6	Trac Lok	4.10	708125-5	707432X	707433X	707434X	43811-16	43811-17

⁶ See Ring Gear & Pinion Kits in XGI Catalog for ratio & tooth combinations.

⁷ See Differential Case Assy Kits in XGI Catalog for spline data & ratios.

MODEL 60 /248 REAR AXLES FOR FORD VARIABLE PARTS TABLE

Kits & Parts - Use With All Applications							
Description & Item Number (Refer to "Exploded View" on page 98)			Bills of Material				
			603725	603901	603926	603943	605020
1	KIT – Diff & Pinion Adj Shim	-	706375X	706674X	706674X	706798X	706674X
2	KIT – Pinion Brg Adj Shim	-	706359X	706672X	706672X	706796X	706672X
3	Baffle – Pinion Bearing	5	30982	30982	30982	30982	30982
4	Seal – Pinion	9	42449	42449	42449	42449	42449
5	End Yoke/Companion Flange Assy	10	2-4-3801X	2-4-5311X	2-4-5311X	2-4-5311X	2-4-5311X
6	Slinger – End Yoke	11	34952	34592	34592	34592	41195
7	KIT – Carrier Cover	-	707108X	707108X	707108X	707108X	707108X
8	Cover – Carrier	14	42799-2	42799-2	42799-2	42799-2	42799-2
9	Bolt – Carrier Cover	15	34822	34822	34822	34822	34822
10	Plug – Carrier Cover	16	43180	43180	43180	43180	43180
11	Differential Bearing Kit	20	706047X	706047X	706047X	706047X	706047X
12	KIT – Diff Brg Adj Shim	21	708012	708012	708012	708012	708012
13	Bolt – Drive Gear (qty 12)	23	30266	30266	30266	30266	30266
14	Gear – Differential (std)	25	34394	34394	34394	39232	34394
15	Spacer\Shim – Diff. Bearing	29	—	—	—	—	—
16	Tone Ring	30	—	—	—	—	—
17	Lock – Differential Shaft	31	44810	44810	44810	40131-1	44810
18	Seal – Hub (Full Float)	34	46004	46004	46004	—	46004
19	Nut – Spindle (Full Float)	38A	— ³	— ³	— ³	—	— ³
20	Nut-Spindle(LH)(FF)(Variable)	38B	— ³	— ³	— ³	—	— ³
21	KIT-Unit Brg & Seal (Semi Float)	-	—	—	—	706847X	—
22	Seal – Inboard Oil (Semi Float)	42	—	—	—	39246	—
23	Gear – Differential (t/l)	46	35803	35803	35803	39256	35803
24	Bolt – Axle Shaft (Full Float)	49	—	—	—	—	39694
25	Bolt – Axle Shaft (Semi Float)	50	—	—	—	39414	—
26	KIT – Diff Plate & Disc (t/l)	-	707083X	707083X	707083X	707083X	707083X
27	KIT – RH Rear Axle Shaft	-	—	—	—	706746-1X	—
28	KIT – LH Rear Axle Shaft	-	—	—	—	706746-2X	—

(See next page for additional bills of material)

³ Contact Vehicle Manufacturer.

MODEL 60 /248 REAR AXLES FOR FORD VARIABLE PARTS TABLE

Kits & Parts - Use With All Applications							
Description & Item Number (Refer to "Exploded View" on page 98)			Bills of Material				
			605031	605086	605089	605145	605146
1	KIT – Diff & Pinion Adj Shim	-	706798X	706838X	706838X	706838X	706838X
2	KIT – Pinion Brg Adj Shim	-	706796X	706836X	706836X	706836X	706836X
3	Baffle – Pinion Bearing	5	30982	30982	30982	30982	30982
4	Seal – Pinion	9	42449	42449	42449	42449	42449
5	End Yoke/Companion Flange Assy	10	2-4-5311X	2-4-5311X	2-4-5311X	2-4-5311X	2-4-5311X
6	Slinger – End Yoke	11	34592	34592	34592	34592	34592
7	KIT – Carrier Cover	-	707108X	707108X	707108X	707108X	707106X
8	Cover – Carrier	14	42799-2	42799-2	42799-2	42799-2	42799-1
9	Bolt – Carrier Cover	15	34822	34822	34822	34822	34822
10	Plug – Carrier Cover	16	43180	43180	43180	43180	43180
11	Differential Bearing Kit	20	706047X	706047X	706047X	706047X	706047X
12	KIT – Diff Brg Adj Shim	21	708012	708012	708012	708012	708012
13	Bolt – Drive Gear (qty 12)	23	30266	30266	30266	30266	30266
14	Gear – Differential (std)	25	39232	39232	39232	39232	39232
15	Spacer\Shim – Diff. Bearing	29	—	—	—	—	—
16	Tone Ring	30	—	—	—	—	—
17	Lock – Differential Shaft	31	40131-1	40131-1	40131-1	40131-1	40131-1
18	Seal – Hub (Full Float)	34	—	—	—	—	—
19	Nut – Spindle (Full Float)	38A	—	—	—	—	—
20	Nut-Spindle(LH)(FF)(Variable)	38B	—	—	—	—	—
21	KIT-Unit Brg & Seal (Semi Float)	-	706847X	706847X	706847X	706847X	706847X
22	Seal – Inboard Oil (Semi-Float)	42	39246	39246	39246	39246	39246
23	Gear – Differential (t/l)	46	39256	39256	39256	39256	39256
24	Bolt – Axle Shaft (Full Float)	49	—	—	—	—	—
25	Bolt – Axle Shaft (Semi Float)	50	39414	39414	39414	40751/40752	40751/40752
26	KIT – Diff Plate & Disc (t/l)	-	707083X	707083X	707083X	707083X	707083X
27	KIT – RH Rear Axle Shaft	-	706746-3X	706846-1X	706846-3X	706846-5X	706846-7X
28	KIT – LH Rear Axle Shaft	-	706746-4X	706846-2X	706846-4X	706846-6X	706846-8X

(See next page for additional bills of material)

MODEL 60 /248 REAR AXLES FOR FORD VARIABLE PARTS TABLE

Kits & Parts - Use With All Applications							
Description & Item Number (Refer to "Exploded View" on page 98)			Bills of Material				
			605169	605179	605211	605251	605254
1	KIT – Diff & Pinion Adj Shim	-	706838X	706838X	706838X	706838X	706838X
2	KIT – Pinion Brg Adj Shim	-	706836X	706836X	706836X	706836X	706836X
3	Baffle – Pinion Bearing	5	30982	30982	30982	30982	30982
4	Seal – Pinion	9	42449	42449	42449	42449	42449
5	End Yoke/Companion Flange Assy	10	2-4-8051X	2-4-8051X	2-4-8051X	2-4-8051X	2-4-8051X
6	Slinger – End Yoke	11	41195	41195	41195	41195	41195
7	KIT – Carrier Cover	-	707108X	707108X	707108X	707108X	707106X
8	Cover – Carrier	14	42799-2	42799-2	42799-2	42799-2	42799-1
9	Bolt – Carrier Cover	15	34822	34822	34822	34822	34822
10	Plug – Carrier Cover	16	43180	43180	43180	43180	43180
11	Differential Bearing Kit	20	706047X	706047X	706047X	706047X	706047X
12	KIT – Diff Brg Adj Shim	21	708012	708012	708012	708012	708012
13	Bolt – Drive Gear (qty 12)	23	30266	30266	30266	30266	30266
14	Gear – Differential (std)	25	39232	39232	39232	39232	39232
15	Spacer\Shim – Diff. Bearing	29	—	—	—	—	—
16	Tone Ring	30	—	—	—	—	—
17	Lock – Differential Shaft	31	40131-1	40131-1	40131-1	40131-1	40131-1
18	Seal – Hub (Full Float)	34	—	—	—	—	—
19	Nut – Spindle (Full Float)	38A	—	—	—	—	—
20	Nut-Spindle(LH)(FF)(Variable)	38B	—	—	—	—	—
21	KIT-Unit Brg & Seal (Semi Float)	-	706847X	706847X	706847X	706847X	706847X
22	Seal – Inboard Oil (Semi Float)	42	39246	39246	39246	39246	39246
23	Gear – Differential (t/l)	46	39256	39256	39256	39256	39256
24	Bolt – Axle Shaft (Full Float)	49	—	—	—	—	—
25	Bolt – Axle Shaft (Semi Float)	50	39414	39414	39414	39414	41554
26	KIT – Diff Plate & Disc (t/l)	-	707083X	707083X	707083X	707083X	707083X
27	KIT – RH Rear Axle Shaft	-	706846-1X	706846-3X	706846-3X	706846-3X	—
28	KIT – LH Rear Axle Shaft	-	706846-2X	706846-4X	706846-4X	706846-4X	—

(See next page for additional bills of material)

MODEL 60 /248 REAR AXLES FOR FORD VARIABLE PARTS TABLE

Kits & Parts - Use With All Applications							
Description & Item Number (Refer to "Exploded View" on page 98)			Bills of Material				
			605298	605355	605413	605414	605419
1	KIT – Diff & Pinion Adj Shim	-	706838X	706674X	706674X	706838X	706838X
2	KIT – Pinion Brg Adj Shim	-	706836X	706672X	706672X	706836X	706836X
3	Baffle – Pinion Bearing	5	30982	30982	30982	30982	30982
4	Seal – Pinion	9	42449	42449	42449	42449	42449
5	End Yoke/Companion Flange Assy	10	2-4-8051X	2-4-8051X	2-4-8051X	2-4-8051X	2-4-8051X
6	Slinger – End Yoke	11	41195	41195	41195	41195	41195
7	KIT – Carrier Cover	-	707108X	707108X	707108X	707108X	707217X
8	Cover – Carrier	14	42799-2	42799-2	42799-2	42799-2	42799-2
9	Bolt – Carrier Cover	15	34822	34822	34822	34822	34822
10	Plug – Carrier Cover	16	43180	43180	43180	43180	43181
11	Differential Bearing Kit	20	706047X	706047X	706047X	706047X	706047X
12	KIT – Diff Brg Adj Shim	21	708012	708012	708012	708012	708012
13	Bolt – Drive Gear (qty 12)	23	30266	30266	30266	30266	30266
14	Gear – Differential (std)	25	39232	34394	34394	39232	39232
15	Spacer\Shim – Diff. Bearing	29	—	—	42563	42563	42563
16	Tone Ring	30	—	—	—	—	42928
17	Lock – Differential Shaft	31	40131-1	44810	44810	40131-1	40131-1
18	Seal – Hub (Full Float)	34	—	46004	46004	—	—
19	Nut – Spindle (Full Float)	38A	—	43075	43075	—	—
20	Nut-Spindle(LH)(FF)(Variable)	38B	—	43076	43076	—	—
21	KIT-Unit Brg & Seal (Semi Float)	-	706847X	—	—	706847X	706847X
22	Seal – Inboard Oil (Semi Float)	42	39246	—	—	39246	39246
23	Gear – Differential (t/l)	46	39256	35803	35803	39256	39256
24	Bolt – Axle Shaft (Full Float)	49	—	39694	39694	—	—
25	Bolt – Axle Shaft (Semi Float)	50	44827	—	—	44827	44827
26	KIT – Diff Plate & Disc (t/l)	-	707083X	707083X	707083X	707083X	707083X
27	KIT – RH Rear Axle Shaft	-	706846-17X	—	—	706846-17X	706846-17X
28	KIT – LH Rear Axle Shaft	-	706846-18X	—	—	706846-18X	706846-18X

(See next page for additional bills of material)

MODEL 60 /248 REAR AXLES FOR FORD VARIABLE PARTS TABLE

Kits & Parts - Use With All Applications							
Description & Item Number (Refer to "Exploded View" on page 98)			Bills of Material				
			605420	605487	605556	605569	605623
1	KIT – Diff & Pinion Adj Shim	-	706674X	706674X	706838X	706375X	706838X
2	KIT – Pinion Brg Adj Shim	-	706672X	706672X	706836X	706359X	706836X
3	Baffle – Pinion Bearing	5	30982	30982	30982	30982	30982
4	Seal – Pinion	9	42449	42449	42449	42449	42449
5	End Yoke/Companion Flange Assy	10	2-4-8051X	2-4-8051X	2-4-8051X	2-4-8051X	2-4-8051X
6	Slinger – End Yoke	11	41195	41195	41195	41195	41195
7	KIT – Carrier Cover	-	707217X	707217X	707217X	707217X	707217X
8	Cover – Carrier	14	42799-2	42799-2	42799-2	42799-2	42799-2
9	Bolt – Carrier Cover	15	34822	34822	34822	34822	34822
10	Plug – Carrier Cover	16	43181	43181	43181	43181	43181
11	Differential Bearing Kit	20	706047X	706047X	706047X	706047X	706047X
12	KIT – Diff Brg Adj Shim	21	708012	708012	708012	708012	708012
13	Bolt – Drive Gear (qty 12)	23	30266	30266	30266	30266	30266
14	Gear – Differential (std)	25	34394	34394	39232	39232	39232
15	Spacer\Shim – Diff. Bearing	29	42563	42563	42563	42563	42563
16	Tone Ring	30	42928	42928	42928	42928	42928
17	Lock – Differential Shaft	31	44810	44810	40131-1	40131-1	40131-1
18	Seal – Hub (Full Float)	34	46004	46004	—	—	—
19	Nut – Spindle (Full Float)	38A	43075	43075	—	—	—
20	Nut-Spindle(LH)(FF)(Variable)	38B	43075	43075	—	—	—
21	KIT-Unit Brg & Seal (Semi Float)	-	—	—	706847X	706847X	706847X
22	Seal – Inboard Oil (Semi Float)	42	—	—	39246	39246	39246
23	Gear – Differential (t/l)	46	35803	35803	39256	—	—
24	Bolt – Axle Shaft (Full Float)	49	39694	39694	—	—	—
25	Bolt – Axle Shaft (Semi Float)	50	—	—	44827	44827	44827
26	KIT – Diff Plate & Disc (t/l)	-	707083X	707083X	707083X	707083X	—
27	KIT – RH Rear Axle Shaft	-	—	—	706846-17X	706846-17X	706846-17X
28	KIT – LH Rear Axle Shaft	-	—	—	706846-18X	706846-18X	706846-18X

(See next page for additional bills of material)

MODEL 60 /248 REAR AXLES FOR FORD VARIABLE PARTS TABLE

Kits & Parts - Use With All Applications							
Description & Item Number (Refer to "Exploded View" on page 98)			Bills of Material				
			605624	605639	605670	605684	605685
1	KIT – Diff & Pinion Adj Shim	-	706375X	706375X	706375X	706375X	706375X
2	KIT – Pinion Brg Adj Shim	-	706359X	706359X	706359X	706359X	706359X
3	Baffle – Pinion Bearing	5	30982	30982	30982	30982	30982
4	Seal – Pinion	9	42449	42449	42449	42449	42449
5	End Yoke/Companion Flange Assy	10	3-4-13031-1X	2-4-8051X	3-4-13031-1X	2-4-8051X	3-4-13031-2X
6	Slinger – End Yoke	11	41195	41195	41195	41195	41195
7	KIT – Carrier Cover	-	707217X	707217X	707217X	707217X	707217X
8	Cover – Carrier	14	42799-2	42799-2	42799-2	42799-2	42799-2
9	Bolt – Carrier Cover	15	34822	34822	34822	34822	34822
10	Plug – Carrier Cover	16	43181	43181	43181	43181	43181
11	Differential Bearing Kit	20	706047X	706047X	706047X	706047X	706047X
12	KIT – Diff Brg Adj Shim	21	708012	708012	708012	708012	708012
13	Bolt – Drive Gear (qty 12)	23	30266	30266	30266	40638	40638
14	Gear – Differential (std)	25	34394	34394	34394	34394	45744
15	Spacer\Shim – Diff. Bearing	29	42563	42563	42563	42563	42563
16	Tone Ring	30	42928	42928	42928	42928	42928
17	Lock – Differential Shaft	31	44810	44810	44810	44810	44810
18	Seal – Hub (Full Float)	34	46004	46004	46004	46004	46004
19	Nut – Spindle (Full Float)	38A	43075	43075	43075	43075	—
20	Nut-Spindle(LH)(FF)(Variable)	38B	43075	43075	43075	43075	—
21	KIT-Unit Brg & Seal (Semi Float)	-	—	—	—	—	—
22	Seal – Inboard Oil (Semi Float)	42	—	—	—	—	—
23	Gear – Differential (t/l)	46	—	—	—	—	—
24	Bolt – Axle Shaft (Full Float)	49	45720	45720	45720	45720	45720
25	Bolt – Axle Shaft (Semi Float)	50	—	—	—	—	—
26	KIT – Diff Plate & Disc (t/l)	-	707083X	707083X	707083X	707083X	707083X
27	KIT – RH Rear Axle Shaft	-	—	—	—	—	—
28	KIT – LH Rear Axle Shaft	-	—	—	—	—	—

(See next page for additional bills of material)

MODEL 60 /248 REAR AXLES FOR FORD VARIABLE PARTS TABLE

Kits & Parts - Use With All Applications							
Description & Item Number (Refer to "Exploded View" on page 98)			Bills of Material				
			605700	605713	605750	605841	605842
1	KIT – Diff & Pinion Adj Shim	-	706375X	706375X	706375X	706838X	706674X
2	KIT – Pinion Brg Adj Shim	-	706359X	706359X	706359X	706836X	706672X
3	Baffle – Pinion Bearing	5	30982	30982	30982	30982	30982
4	Seal – Pinion	9	42449	42449	42449	42449	42449
5	End Yoke/Companion Flange Assy	10	2-4-8051X	3-4-13031-2X	2-4-8051X	2-4-8051X	2-4-8051X
6	Slinger – End Yoke	11	41195	41195	41195	41195	41195
7	KIT – Carrier Cover	-	707217X	707217X	707217-X	707217X	707217X
8	Cover – Carrier	14	42799-2	42799-2	42799-2	42799-2	42799-2
9	Bolt – Carrier Cover	15	34822	34822	34822	34822	34822
10	Plug – Carrier Cover	16	43181	43181	43181	43181	43181
11	Differential Bearing Kit	20	706047X	706047X	706047X	706047X	706047X
12	KIT – Diff Brg Adj Shim	21	708012	708012	708012	708012	708012
13	Bolt – Drive Gear (qty 12)	23	30266	30266	40638	40638	40638
14	Gear – Differential (std)	25	39232	34394	39232	39232	34394
15	Spacer\Shim – Diff. Bearing	29	42563	42563	42563	42563	42563
16	Tone Ring	30	42928	42928	42928	42928	42928
17	Lock – Differential Shaft	31	40131-1	44810	40131-1	40131-1	44810
18	Seal – Hub (Full Float)	34	—	46004	—	—	46004
19	Nut – Spindle (Full Float)	38A	—	43075	—	—	43075
20	Nut-Spindle(LH)(FF)(Variable)	38B	—	43075	—	—	43075
21	KIT-Unit Brg & Seal (Semi Float)	-	706847X	—	706847X	706847X	—
22	Seal – Inboard Oil (Semi Float)	42	39246	—	39246	39246	—
23	Gear – Differential (t/l)	46	—	—	—	—	—
24	Bolt – Axle Shaft (Full Float)	49	—	45720	—	—	45720
25	Bolt – Axle Shaft (Semi Float)	50	46426	—	46426	46426	—
26	KIT – Diff Plate & Disc (t/l)	-	707083X	707083X	707083X	707083X	707083X
27	KIT – RH Rear Axle Shaft	-	—	—	—	—	—
28	KIT – LH Rear Axle Shaft	-	—	—	—	—	—

(See next page for additional bills of material)

MODEL 60 /248 REAR AXLES FOR FORD VARIABLE PARTS TABLE

Kits & Parts - Use With All Applications							
Description & Item Number (Refer to "Exploded View" on page 98)			Bills of Material				
			605843	605859	605920	605921	605933
1	KIT – Diff & Pinion Adj Shim	-	706674X	706838X	706838X	706838X	706838X
2	KIT – Pinion Brg Adj Shim	-	706672X	706836X	706836X	706836X	706836X
3	Baffle – Pinion Bearing	5	30982	30982	—	—	30982
4	Seal – Pinion	9	42449	42449	42449	42449	42449
5	End Yoke/Companion Flange Assy	10	3-4-13031-2X	2-4-8051X	2-4-8051X	2-4-8051X	2-4-8051X
6	Slinger – End Yoke	11	45799	41195	41195	41195	41195
7	KIT – Carrier Cover	-	707217X	707217X	707217X	707217X	707217-1X
8	Cover – Carrier	14	42799-2	42799-2	42799-2	42799-2	42799-2
9	Bolt – Carrier Cover	15	34822	34822	34822	34822	47508-1
10	Plug – Carrier Cover	16	43181	43181	43181	43181	43181
11	Differential Bearing Kit	20	706047X	706047X	706047X	706047X	706047X
12	KIT – Diff Brg Adj Shim	21	708012	708012	708012	708012	708012
13	Bolt – Drive Gear (qty 12)	23	40638	40638	40638	40638	40638
14	Gear – Differential (std)	25	45744	39232	39232	—	39232
15	Spacer\Shim – Diff. Bearing	29	42563	42563	42563	42563	42563
16	Tone Ring	30	42928	42928	42928	42928	42928
17	Lock – Differential Shaft	31	44810	40131-1	40131-1	40131-1	40131-1
18	Seal – Hub (Full Float)	34	46004	—	—	—	—
19	Nut – Spindle (Full Float)	38A	43075	—	—	—	—
20	Nut-Spindle(LH)(FF)(Variable)	38B	43075	—	—	—	—
21	KIT-Unit Brg & Seal (Semi Float)	-	—	706847X	706847X	706847X	706847X
22	Seal – Inboard Oil	42	—	39246	39246	39246	39246
23	Gear – Differential (t/l)	46	—	—	—	39256	—
24	Bolt – Axle Shaft (Full Float)	49	45720	—	—	—	—
25	Bolt – Axle Shaft (Semi Float)	50	—	46426	46426	46426	46426
26	KIT – Diff Plate & Disc (t/l)	-	707083X	—	—	707083X	707083X
27	KIT – RH Rear Axle Shaft	-	—	—	—	—	—
28	KIT – LH Rear Axle Shaft	-	—	—	—	—	—

(See next page for additional bills of material)

MODEL 60 /248 REAR AXLES FOR FORD VARIABLE PARTS TABLE

Kits & Parts - Use With All Applications							
Description & Item Number (Refer to "Exploded View" on page 98)			Bills of Material				
			605934	605935	605947	605948	605949
1	KIT – Diff & Pinion Adj Shim	-	706375X	706674X	707426X	707431X	707431X
2	KIT – Pinion Brg Adj Shim	-	706359X	706672X	701012-1X	701012-1X	701012-1X
3	Baffle – Pinion Bearing	5	30982	30982	—	—	—
4	Seal – Pinion	9	42449	42449	42449	42449	42449
5	End Yoke/Companion Flange Assy	10	2-4-8051X	3-4-13031-2X	3-1-4881X	3-1-4881X	3-1-4881X
6	Slinger – End Yoke	11	41195	45799	45799	45799	45799
7	KIT – Carrier Cover	-	707217-1X	707217-1X	707217-1X	707217-1X	707217-1X
8	Cover – Carrier	14	42799-2	42799-2	42799-2	42799-2	42799-2
9	Bolt – Carrier Cover	15	47508-1	47508-1	47508-1	47508-1	47508-1
10	Plug – Carrier Cover	16	43181	43181	43181	43181	43181
11	Differential Bearing Kit	20	706047X	706047X	706047X	706047X	706047X
12	KIT – Diff Brg Adj Shim	21	708012	708012	707425X	701144X	701144X
13	Bolt – Drive Gear (qty 12)	23	40638	40638	40638	40638	40638
14	Gear – Differential (std)	25	34394	45744	39232	45744	45744
15	Spacer\Shim – Diff. Bearing	29	42563	42563	47560	47560	47560
16	Tone Ring	30	42928	42928	42928	42928	42928
17	Lock – Differential Shaft	31	44810	44810	40131-1	44810	44810
18	Seal – Hub (Full Float)	34	46004	46004	—	47507	47507
19	Nut – Spindle (Full Float)	38A	43075	—	—	43075	—
20	Nut-Spindle(LH)(FF)(Variable)	38B	43075	—	—	43075	—
21	KIT-Unit Brg & Seal (Semi Float)	-	—	—	706847-1X	—	—
22	Seal – Inboard Oil (Semi Float)	42	—	—	46995	—	—
23	Gear – Differential (t/l)	46	—	—	—	—	—
24	Bolt – Axle Shaft (Full Float)	49	45720	45720	—	45720	45720
25	Bolt – Axle Shaft (Semi Float)	50	—	—	46426	—	—
26	KIT – Diff Plate & Disc (t/l)	-	707083X	701151X	701151X	701151X	701151X
27	KIT – RH Rear Axle Shaft	-	—	—	—	—	—
28	KIT – LH Rear Axle Shaft	-	—	—	—	—	—

(See next page for additional bills of material)

MODEL 60 /248 REAR AXLES FOR FORD VARIABLE PARTS TABLE

Kits & Parts - Use With All Applications							
Description & Item Number (Refer to "Exploded View" on page 98)			Bills of Material				
			606017	606022	606023	606029	606049
1	KIT – Diff & Pinion Adj Shim	-	707426X	707426X	707426X	707426X	707431X
2	KIT – Pinion Brg Adj Shim	-	701012-1X	701012-1X	701012-1X	701012-1X	701012-1X
3	Baffle – Pinion Bearing	5	—	—	—	—	—
4	Seal – Pinion	9	48225-1	42449	50637	48225	42449
5	End Yoke/Companion Flange Assy	10	3-1-4881X	3-1-4881X	3-1-4881X	3-1-4881X	3-1-4881X
6	Slinger – End Yoke	11	45799	45799	45799	45799	45799
7	KIT – Carrier Cover	-	707217-1X	707217-1X	707217-1X	707217-1X	707217-1X
8	Cover – Carrier	14	42799-2	42799-2	42799-2	42799-2	42799-2
9	Bolt – Carrier Cover	15	47508-1	47508-1	47508	47508-1	47508-1
10	Plug – Carrier Cover	16	43181	43181	43181	43181	43181
11	Differential Bearing Kit	20	707489X	706489X	707489X	707489X	707489X
12	KIT – Diff Brg Adj Shim	21	707425X	707425X	707425X	707425X	701144X
13	Bolt – Drive Gear (qty 12)	23	40638	40638	40638	40638	40638
14	Gear – Differential (std)	25	39232	39232	39232	39232	45744
15	Spacer\Shim – Diff. Bearing	29	47560	47560	47560	47560	47560
16	Tone Ring	30	42928	42928	42928	42928	42928
17	Lock – Differential Shaft	31	40131-1	40131-1	40131-1	40131-1	44810
18	Seal – Hub (Full Float)	34	—	—	—	—	47507
19	Nut – Spindle (Full Float)	38A	—	—	—	—	43075
20	Nut-Spindle(LH)(FF)(Variable)	38B	—	—	—	—	43075
21	KIT-Unit Brg & Seal (Semi Float)	-	706847-1X	706847-1X	706847-1X	706847-1X	—
22	Seal – Inboard Oil (Semi Float)	42	46995	46995	46995	46995	—
23	Gear – Differential (t/l)	46	—	39256	39256	—	45745
24	Bolt – Axle Shaft (Full Float)	49	—	—	—	—	45720
25	Bolt – Axle Shaft (Semi Float)	50	46426	46426	46426	46426	—
26	KIT – Diff Plate & Disc (t/l)	-	701151X	701151X	701151X	701151X	701151X
27	KIT – RH Rear Axle Shaft	-	—	—	—	—	—
28	KIT – LH Rear Axle Shaft	-	—	—	—	—	—

(See next page for additional bills of material)

MODEL 60 /248 REAR AXLES FOR FORD VARIABLE PARTS TABLE

Kits & Parts - Use With All Applications							
Description & Item Number (Refer to "Exploded View" on page 98)			Bills of Material				
			606050	606102	606109	606161	606162
1	KIT – Diff & Pinion Adj Shim	-	707431X	707426X	707431X	707426X	707431X
2	KIT – Pinion Brg Adj Shim	-	701012-1X	701012-1X	701012-1X	701012-1X	701012-1X
3	Baffle – Pinion Bearing	5	—	—	—	—	—
4	Seal – Pinion	9	42449	42449	42449	42449	42449
5	End Yoke/Companion Flange Assy	10	3-1-4881X	3-1-4881X	3-1-4881X	3-1-4881X	3-1-4881X
6	Slinger – End Yoke	11	45799	45799	45799	45799	45799
7	KIT – Carrier Cover	-	707217-1X	707217-1X	707217-1X	707217-1X	707217-1X
8	Cover – Carrier	14	42799-2	42799-2	42799-2	42799-2	42799-2
9	Bolt – Carrier Cover	15	47508-1	47508-1	47508-1	47508-1	47508-1
10	Plug – Carrier Cover	16	43181	43181	43181	43181	43181
11	Differential Bearing Kit	20	707489X	707489X	707489X	707489X	707489X
12	KIT – Diff Brg Adj Shim	21	701144X	707425X	701144X	707425X	701144X
13	Bolt – Drive Gear (qty 12)	23	40638	40638	40638	40638	40638
14	Gear – Differential (std)	25	45744	—	45744	39232	45744
15	Spacer\Shim – Diff. Bearing	29	47560	47560	47560	47560	47560
16	Tone Ring	30	42928	42928	42928	42928	42928
17	Lock – Differential Shaft	31	44810	40131-1	44810	40131-1	44810
18	Seal – Hub (Full Float)	34	47507	—	47507	—	47507
19	Nut – Spindle (Full Float)	38A	—	—	43075	—	43075
20	Nut-Spindle(LH)(FF)(Variable)	38B	—	—	43075	—	43075
21	KIT-Unit Brg & Seal (Semi Float)	-	—	706847-1X	—	706847-1X	—
22	Seal – Inboard Oil (Semi Float)	42	—	46995	—	46995	—
23	Gear – Differential (t/l)	46	45745	39256	45745	39256	45745
24	Bolt – Axle Shaft (Full Float)	49	45720	—	45720	—	45720
25	Bolt – Axle Shaft (Semi Float)	50	—	46426	—	46426	—
26	KIT – Diff Plate & Disc (t/l)	-	701151X	701151X	701151X	701151X	701151X
27	KIT – RH Rear Axle Shaft	-	—	—	—	—	—
28	KIT – LH Rear Axle Shaft	-	—	—	—	—	—

(See next page for additional bills of material)

MODEL 60 /248 REAR AXLES FOR FORD VARIABLE PARTS TABLE

Kits & Parts - Use With All Applications							
Description & Item Number (Refer to "Exploded View" on page 98)			Bills of Material				
			606163	606188	606190	606192	606199
1	KIT – Diff & Pinion Adj Shim	-	707426X	707426X	707431X	707426X	707426X
2	KIT – Pinion Brg Adj Shim	-	701012-1X	701012-1X	701012-1X	701012-1X	701012-1X
3	Baffle – Pinion Bearing	5	—	—	—	—	—
4	Seal – Pinion	9	42449	42449	42449	42449	42449
5	End Yoke/Companion Flange Assy	10	3-1-4881X	3-1-4881X	3-1-4881X	3-1-4881X	3-1-4881X
6	Slinger – End Yoke	11	45799	45799	45799	45799	45799
7	KIT – Carrier Cover	-	707217-1X	707217-1X	707217-1X	707217-1X	707217-1X
8	Cover – Carrier	14	42799-2	42799-2	42799-2	42799-2	42799-2
9	Bolt – Carrier Cover	15	47508-1	47508-1	47508-1	47508-1	47508-1
10	Plug – Carrier Cover	16	43181	43181	43181	43181	43181
11	Differential Bearing Kit	20	707489X	707489X	707489X	707489X	707489X
12	KIT – Diff Brg Adj Shim	21	707425X	707425X	701144X	707425X	707425X
13	Bolt – Drive Gear (qty 12)	23	40638	40638	40638	40638	40638
14	Gear – Differential (std)	25	—	39232	45744	39232	—
15	Spacer\Shim – Diff. Bearing	29	47560	47560	47560	47560	47560
16	Tone Ring	30	42928	42928	42928	42928	42928
17	Lock – Differential Shaft	31	40131-1	40131-1	44810	40131-1	40131-1
18	Seal – Hub (Full Float)	34	—	—	47507	—	—
19	Nut – Spindle (Full Float)	38A	—	—	43075	—	—
20	Nut-Spindle(LH)(FF)(Variable)	38B	—	—	43075	—	—
21	KIT-Unit Brg & Seal (Semi Float)	-	706847-1X	706847-1X	—	706847-1X	706847-1X
22	Seal – Inboard Oil (Semi Float)	42	46995	46995	—	46995	46995
23	Gear – Differential (t/l)	46	39256	39256	45745	39256	39256
24	Bolt – Axle Shaft (Full Float)	49	—	—	45720	—	—
25	Bolt – Axle Shaft (Semi Float)	50	46426	46426	—	46426	46426
26	KIT – Diff Plate & Disc (t/l)	-	701151X	701151X	701151X	701151X	701151X
27	KIT – RH Rear Axle Shaft	-	—	—	—	—	—
28	KIT – LH Rear Axle Shaft	-	—	—	—	—	—

(See next page for additional bills of material)

MODEL 60 /248 REAR AXLES FOR FORD VARIABLE PARTS TABLE

Kits & Parts - Use With All Applications							
Description & Item Number (Refer to "Exploded View" on page 98)			Bills of Material				
			606232	606306	606307	606314	606522
1	KIT – Diff & Pinion Adj Shim	-	707431X	707426X	707426X	707431X	707431X
2	KIT – Pinion Brg Adj Shim	-	701012-1X	701012-1X	701012-1X	701012-1X	701012-1X
3	Baffle – Pinion Bearing	5	—	—	—	—	—
4	Seal – Pinion	9	42449	42449	42449	42449	42449
5	End Yoke/Companion Flange Assy	10	3-1-4881X	3-1-4881X	3-1-4881X	3-1-4881X	3-1-4881X
6	Slinger – End Yoke	11	45799	45799	45799	45799	45799
7	KIT – Carrier Cover	-	707217-1X	707217-1X	707217-1X	707217-1X	707217-1X
8	Cover – Carrier	14	42799-2	42799-2	42799-2	42799-2	42799-2
9	Bolt – Carrier Cover	15	47508-1	47508-1	47508-1	47508-1	47508-1
10	Plug – Carrier Cover	16	43181	43181	43181	43181	43181
11	Differential Bearing Kit	20	707489X	707489X	707489X	707489X	707489X
12	KIT – Diff Brg Adj Shim	21	701144X	707425X	707425X	701144X	701144X
13	Bolt – Drive Gear (qty 12)	23	40638	40638	40638	40638	40638
14	Gear – Differential (std)	25	45744	39232	39232	45744	45744
15	Spacer\Shim – Diff. Bearing	29	47560	47560	47560	47560	47560
16	Tone Ring	30	42928	42928	42928	42928	42928
17	Lock – Differential Shaft	31	44810	40131-1	40131-1	44810	44810
18	Seal – Hub (Full Float)	34	47507	—	—	47507	47507
19	Nut – Spindle (Full Float)	38A	43075	—	—	43075	—
20	Nut-Spindle(LH)(FF)(Variable)	38B	43075	—	—	43075	—
21	KIT-Unit Brg & Seal (Semi Float)	-	—	706847-1X	706847-1X	—	—
22	Seal – Inboard Oil (Semi Float)	42	—	46995	46995	—	—
23	Gear – Differential (t/l)	46	45745	39256	39256	45745	45745
24	Bolt – Axle Shaft (Full Float)	49	45720	—	—	45720	45720
25	Bolt – Axle Shaft (Semi Float)	50	—	46426	46426	—	—
26	KIT – Diff Plate & Disc (t/l)	-	701151X	701151X	701151X	701151X	701151X
27	KIT – RH Rear Axle Shaft	-	—	—	—	—	—
28	KIT – LH Rear Axle Shaft	-	—	—	—	—	—

(See next page for additional bills of material)

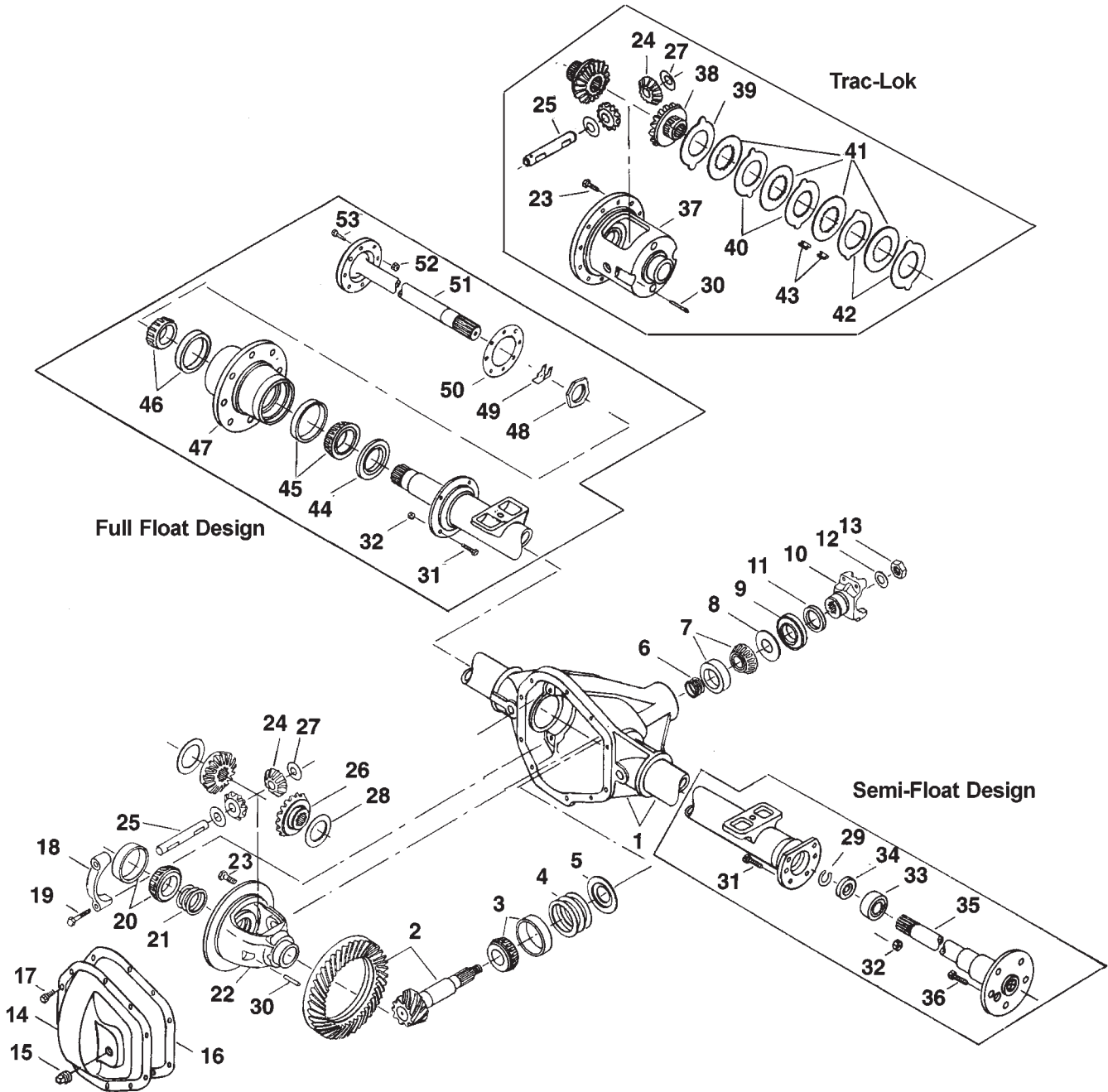
MODEL 60 /248 REAR AXLES FOR FORD VARIABLE PARTS TABLE

Kits & Parts - Use With All Applications							
Description & Item Number (Refer to "Exploded View" on page 98)			Bills of Material				
			606601	606602	606604		
1	KIT – Diff & Pinion Adj Shim	-	707426X	707426X	707431X		
2	KIT – Pinion Brg Adj Shim	-	701012-1X	701012-1X	701012-1X		
3	Baffle – Pinion Bearing	5	—	—	—		
4	Seal – Pinion	9	50637	50637	50637		
5	End Yoke/Companion Flange Assy	10	3-1-4881X	3-4-4881X	3-1-4881X		
6	Slinger – End Yoke	11	45799	45799	45799		
7	KIT – Carrier Cover	-	707217-1X	707217-1X	707217-1X		
8	Cover – Carrier	14	42799-2	42799-2	42799-2		
9	Bolt – Carrier Cover	15	47508	47508	47508		
10	Plug – Carrier Cover	16	43181	43181	43181		
11	Differential Bearing Kit	20	707489X	707489X	707489X		
12	KIT – Diff Brg Adj Shim	21	707425X	707425X	701144X		
13	Bolt – Drive Gear (qty 12)	23	40638	40638	40638		
14	Gear – Differential (std)	25	39232	39232	45744		
15	Spacer\Shim – Diff. Bearing	29	47560	47560	47560		
16	Tone Ring	30	42928	42928	42928		
17	Lock – Differential Shaft	31	40131-1	40131-1	44810		
18	Seal – Hub (Full Float)	34	—	—	47507		
19	Nut – Spindle (Full Float)	38A	—	—	—		
20	Nut-Spindle(LH)(FF)(Variable)	38B	—	—	—		
21	KIT-Unit Brg & Seal (Semi Float)	-	706847-1X	706847-1X	—		
22	Seal – Inboard Oil (Semi Float)	42	46995	46995	—		
23	Gear – Differential (t/l)	46	39256	39256	45745		
24	Bolt – Axle Shaft (Full Float)	49	—	—	45720		
25	Bolt – Axle Shaft (Semi Float)	50	46426	46426	—		
26	KIT – Diff Plate & Disc (t/l)	-	701151X	701151X	701151X		
27	KIT – RH Rear Axle Shaft	-	—	—	—		
28	KIT – LH Rear Axle Shaft	-	—	—	—		

NOTES

MODEL 61
REAR AXLES for
E-250, E-350, F-250 & F-350

61 REAR AXLES EXPLODED VIEW



MODEL 61 REAR AXLES FOR FORD PARTS LISTING

ITEM NO.	PART NUMBER	DESCRIPTION	ITEM NO.	PART NUMBER	DESCRIPTION
1	— ³	Housing – Axle Service	27	34730	Thrustwasher – Diff Pinion (std-t/l)
2	— ¹	Drive Gear & Pinion Kit	28	34729	Thrustwasher – Diff Gear (std)
3	706046X	Inner Pinion Bearing Kit	29	39213	C-Clip (only on semi float)
	706375X	KIT – Diff & Pinion Adj Shim (inc 4, 6, 11, 12, 15, 21)	30	44810	Lock – Differential Shaft
	706359X	KIT – Pinion Brg Adj Shim (inc 4, 6, 11, 12, 15)	31	— ³	Bolt – Brake Mounting
4	— ⁴	Inner Pinion Adj Shims (See Kits – 706375X & 706359X)	32	— ³	Nut – Brake Mounting
5	30982	Baffle – Pinion Bearing		— ²	KIT – Unit Bearing & Seal (16, 33, 34)
6	— ⁴	Outer Pinion Adj Shims (See Kits – 706375X & 706359X)	33	565978	Wheel Bearing Assembly
7	706045X	Outer Pinion Bearing Kit	34	39246	Seal – Inboard Oil
8	42737	Thrustwasher – Bearing	35	— ¹	Shaft – Axle
9	42449	Seal – Pinion	36	— ²	Bolt – Axle Shaft
10	— ²	End Yoke or Assembly (inc 11)	37	— ⁴	Case – Differential (t/l)
11	— ²	Slinger – End Yoke	38	35803	Gear – Differential (t/l)
12	30275	Washer – Pinion Nut		707083X	KIT – Diff Plate & Disc (t/l) (inc 39, 40, 41, 42, 43)
13	30271	Nut – Pinion	39	— ⁴	Spacer – Diff Gear (dished)
	— ²	KIT – Carrier Cover (inc 14, 15, 17)	40	— ⁴	Plate – Diff Pressure
14	— ²	Cover – Carrier	41	— ⁴	Disc – Differential
15	43180	Plug – Carrier	42	— ⁴	Plate – Differential
16	—	Gasket – Carrier Cover	43	40835	Retainer – Diff Clutch
17	34822	Bolt – Carrier Cover (qty 10)	44	39693	Seal – Hub
18	— ³	Cap – Differential Bearing	45	706179X	Bearing – Inner Wheel
19	48632-1	Bolt – Diff Bearing Cap	46	706074X	Bearing – Outer Wheel
20	706047X	Differential Bearing Kit	47	— ³	Hub – Wheel
21	706374X	KIT – Diff Brg Adj Shim (inc 15)	48	— ²	Retainer – Wheel Bearing
22	— ⁴	Case – Differential (std)	49	— ²	Wedge
23	30266	Bolt – Drive Gear (qty 12)	50	39697	Gasket
24	34367	Pinion – Differential (std-t/l)	51	— ¹	Shaft – Axle
25	30263	Shaft – Differential (std-t/l)	52	36526	Lockwasher
26	34394	Gear – Differential (std)	53	39694	Bolt – Axle Shaft
				— ²	KIT – RH Rear Axle Shaft
				— ²	KIT – LH Rear Axle Shaft

1 See "Bill of Material Table" on page 130

2 See "Variable Parts Table" on page 135

3 Contact Vehicle Manufacturer.

4 Not Sold Separately.

MODEL 61 REAR AXLES FOR FORD

BILL OF MATERIAL TABLE

AXLE			AXLE KITS				SHAFT & JOINT ASSY.	
BILL OF MATERIAL	DIFF. TYPE	RATIO	RING GEAR & PINION KIT 6	DIFFERENTIAL			RIGHT HAND SHAFT ASSY.	LEFT HAND SHAFT ASSY.
				CASE ASSY. KIT 7	CASE KIT	INNER PARTS KIT		
1979 F-250 4X2 - Full Float								
603925-1	Standard	3.07	706661-11X	706036X	706040X	706043X	35467-3	35467-3
603925-2	Standard	3.31	706661-1X	706036X	706040X	706043X	35467-3	35467-3
1979-80 E-250 - Full Float								
603932-1	Standard	3.31	706396-1X	706036X	706040X	706043X	37560-3	37560-4
603932-3	Standard	3.73	706033-2X	706399X	706400X	706043X	37560-3	37560-4
603932-4	Trac Lok	3.73	706396-4X	707097X	706039X	707084X	37560-3	37560-4
603932-7	Standard	3.07	706661-11X	706036X	706040X	706043X	37560-3	37560-4
603932-8	Standard	3.73	706033-2X	706399X	706400X	706043X	37560-3	37560-4
603932-9	Trac Lok	3.73	706396-4X	707097X	706039X	707084X	37560-3	37560-4
603932-10	Standard	3.54	706033-1X	706399X	706400X	706043X	37560-3	37560-4
603932-11	Trac Lok	3.54	706661-6X	707097X	706039X	707084X	37560-3	37560-4
603932-12	Trac Lok	3.31	706396-1X	708013	708014	707084X	37560-3	37560-4
603932-13	Standard	3.54	706033-1X	706399X	706400X	706043X	37560-3	37560-4
603932-14	Trac Lok	3.54	706661-6X	707097X	706039X	707084X	37560-3	37560-4
1980 F-350 4X2 Chassis - Full Float								
603944-1	Standard	3.73	706033-2X	706399X	706400X	706043X	39260-1	39260-1
603944-3	Standard	4.10	706033-3X	706399X	706400X	706043X	39260-1	39260-1
603944-4	Trac Lok	4.10	706661-9X	707097X	706039X	707084X	39260-1	39260-1
603944-7	Standard	4.56	706661-8X	706399X	706400X	706043X	39260-1	39260-1
1980 F-350 4X2, 4X4 Pick Up - Full Float								
603947-1	Standard	3.54	706033-1X	706399X	706400X	706043X	39260-2	39260-3
603947-2	Standard	4.10	706033-3X	706399X	706400X	706043X	39260-2	39260-3
603947-4	Trac Lok	4.10	706661-9X	707097X	706039X	707084X	39260-2	39260-3
603947-7	Standard	4.56	706661-8X	706399X	706400X	706043X	39260-2	39260-3
603947-8	Standard	3.73	706033-2X	706399X	706400X	706043X	39260-2	39260-3
1980-81 F-250 4X2 - Semi Float								
603946-1	Standard	3.07	706808-3X	706840X	706842X	706844X	70867-1X	70867-2X
603946-2	Trac Lok	3.07	706808-3X	707096X	706843X	707095X	70867-1X	70867-2X
603946-3	Trac Lok	3.00	706808-2X	707096X	706843X	707095X	70867-1X	70867-2X
603946-4	Standard	3.00	706808-2X	706840X	706842X	706844X	70867-1X	70867-2X
1981 E-250 Van - Semi Float								
605030-3	Standard	3.00	706808-2X	706840X	706842X	706844X	70867-3X	70867-4X
605030-4	Trac Lok	3.00	706808-2X	707096X	706843X	707095X	70867-3X	70867-4X

6 See Ring Gear & Pinion Kits in XGI Catalog for ratio & tooth combinations.

7 See Differential Case Assy Kits in XGI Catalog for spline data & ratios.

MODEL 61 REAR AXLES FOR FORD

BILL OF MATERIAL TABLE

AXLE			AXLE KITS				SHAFT & JOINT ASSY.	
BILL OF MATERIAL	DIFF. TYPE	RATIO	RING GEAR & PINION KIT 6	DIFFERENTIAL			RIGHT HAND SHAFT ASSY.	LEFT HAND SHAFT ASSY.
				CASE ASSY. KIT 7	CASE KIT	INNER PARTS KIT		
1981 E-250 Van - Full Float								
605064-1	Standard	3.00	706661-10X	706036X	706040X	706043X	37560-3	37560-4
605064-2	Trac Lok	3.00	706808-2X	708013	708014	707084X	37560-3	37560-4
605064-3	Standard	3.33	706660-9X	706399X	706400X	706043X	37560-3	37560-4
605064-4	Standard	3.54	706033-1X	706399X	706400X	706043X	37560-3	37560-4
605064-5	Standard	3.73	706033-2X	706399X	706400X	706043X	37560-3	37560-4
605064-6	Standard	4.10	706033-3X	706399X	706400X	706043X	37560-3	37560-4
605064-7	Trac Lok	4.10	706661-9X	707097X	706039X	707084X	37560-3	37560-4
1981-83 E-350 DRW Chassis - Full Float								
605022-1	Standard	3.73	706033-2X	706399X	706400X	706043X	39260-4	39260-5
605022-2	Standard	4.10	706033-3X	706399X	706400X	706043X	39260-4	39260-5
605022-3	Trac Lok	4.10	706661-9X	707097X	706039X	707084X	39260-4	39260-5
605022-4	Standard	3.73	706033-2X	706399X	706400X	706043X	39260-4	39260-5
605022-5	Standard	4.10	706033-3X	706399X	706400X	706043X	39260-4	39260-5
605022-6	Trac Lok	4.10	706661-9X	707097X	706039X	707084X	39260-4	39260-5
605022-7	Trac Lok	3.73	706396-4X	707097X	706039X	707084X	39260-4	39260-5
605022-8	Standard	4.56	706661-8X	706399X	706400X	706043X	39260-4	39260-5
605022-10	Standard	3.07	706661-11X	706036X	706040X	706043X	39260-4	39260-5
605022-11	Standard	3.54	706033-1X	706399X	706400X	706043X	39260-4	39260-5
605022-12	Standard	3.07	706661-11X	706036X	706040X	706043X	39260-4	39260-5
605022-13	Standard	3.54	706033-1X	706399X	706400X	706043X	39260-4	39260-5
605022-14	Standard	3.73	706033-2X	706399X	706400X	706043X	39260-4	39260-5
605022-15	Trac Lok	3.73	706396-4X	707097X	706039X	707084X	39260-4	39260-5
605022-16	Standard	4.10	706033-3X	706399X	706400X	706043X	39260-4	39260-5
605022-17	Trac Lok	4.10	706661-9X	707097X	706039X	707084X	39260-4	39260-5
605022-18	Trac Lok	3.54	706661-6X	707097X	706039X	707084X	39260-4	39260-5
1981-83 F-350 Chassis - Full Float								
605039-1	Standard	3.73	706033-2X	706399X	706400X	706043X	39260-1	39260-1
605039-2	Standard	4.10	706033-3X	706399X	706400X	706043X	39260-1	39260-1
605039-3	Trac Lok	4.10	706661-9X	707097X	706039X	707084X	39260-1	39260-1
605039-4	Standard	4.56	706661-8X	706399X	706400X	706043X	39260-1	39260-1
605039-5	Standard	3.07	706661-11X	706036X	706040X	706043X	39260-1	39260-1
605039-6	Standard	3.54	706033-1X	706399X	706400X	706043X	39260-1	39260-1
605039-7	Trac Lok	3.54	706661-6X	707097X	706039X	707084X	39260-1	39260-1

6 See Ring Gear & Pinion Kits in XGI Catalog for ratio & tooth combinations.

7 See Differential Case Assy Kits in XGI Catalog for spline data & ratios.

MODEL 61 REAR AXLES FOR FORD

BILL OF MATERIAL TABLE

AXLE			AXLE KITS				SHAFT & JOINT ASSY.	
BILL OF MATERIAL	DIFF. TYPE	RATIO	RING GEAR & PINION KIT 6	DIFFERENTIAL			RIGHT HAND SHAFT ASSY.	LEFT HAND SHAFT ASSY.
				CASE ASSY. KIT 7	CASE KIT	INNER PARTS KIT		
1981-83 F-350 - Full Float								
605040-1	Standard	3.54	706033-1X	706399X	706400X	706043X	39260-2	39260-3
605040-2	Standard	4.10	706033-3X	706399X	706400X	706043X	39260-2	39260-3
605040-3	Trac Lok	4.10	706661-9X	707097X	706039X	707084X	39260-2	39260-3
605040-4	Standard	4.56	706661-8X	706399X	706400X	706043X	39260-2	39260-3
605040-5	Standard	3.73	706033-2X	706399X	706400X	706043X	39260-2	39260-3
605040-6	Trac Lok	3.54	706661-6X	707097X	706039X	707084X	39260-2	39260-3
605040-7	Standard	3.07	706661-11X	706036X	706040X	706043X	39260-2	39260-3
1981-83 E-350 School Bus - Full Float								
605056-1	Standard	3.73	706033-2X	706399X	706400X	706043X	39260-4	39260-5
605056-2	Standard	4.10	706033-3X	706399X	706400X	706043X	39260-4	39260-5
605056-3	Trac Lok	4.10	706661-9X	707097X	706039X	707084X	39260-4	39260-5
605056-4	Trac Lok	3.73	706396-4X	707097X	706039X	707084X	39260-4	39260-5
605056-5	Standard	3.07	706661-11X	706036X	706040X	706043X	39260-4	39260-5
605056-6	Standard	3.54	706033-1X	706399X	706400X	706043X	39260-4	39260-5
1982 F-250 - Semi Float								
605087-3	Trac Lok	3.00	706835-2X	707096X	706843X	707095X	70867-1X	70867-2X
605087-4	Standard	3.00	706835-2X	706840X	706842X	706844X	70867-1X	70867-2X
1982-83 E-250 Van - Semi Float								
605088-3	Standard	3.00	706835-2X	706840X	706842X	706844X	70867-3X	70867-4X
605088-4	Trac Lok	3.00	706835-2X	707096X	706843X	707095X	70867-3X	70867-4X
605088-5	Standard	3.00	706835-2X	706840X	706842X	706844X	70867-3X	70867-4X
605088-6	Trac Lok	3.00	706835-2X	707096X	706843X	707095X	70867-3X	70867-4X
1983 1/2 F-350 Pick-Up - Semi Float								
605154-1	Standard	3.07	706835-3X	706840X	706842X	706844X	70867-11X	70867-12X
1983 1/2 F-350 Chassis - Semi Float								
605156-1	Standard	3.07	706835-3X	706840X	706842X	706844X	70867-13X	70867-14X
1983 1/2 E-250 Van - Semi Float								
605178-1	Standard	3.00	706835-2X	706840X	706842X	706844X	70867-3X	70867-4X
605178-2	Trac Lok	3.00	706835-2X	707096X	706843X	707095X	70867-3X	70867-4X

6 See Ring Gear & Pinion Kits in XGI Catalog for ratio & tooth combinations.

7 See Differential Case Assy Kits in XGI Catalog for spline data & ratios.

MODEL 61 REAR AXLES FOR FORD

BILL OF MATERIAL TABLE

AXLE			AXLE KITS				SHAFT & JOINT ASSY.	
BILL OF MATERIAL	DIFF. TYPE	RATIO	RING GEAR & PINION KIT 6	DIFFERENTIAL			RIGHT HAND SHAFT ASSY.	LEFT HAND SHAFT ASSY.
				CASE ASSY. KIT 7	CASE KIT	INNER PARTS KIT		
1984-85 F-350 - Full Float								
605197-1	Standard	4.10	706033-3X	706399X	706400X	706043X	39260-2	39260-3
605197-2	Trac Lok	4.10	706661-9X	707097X	706039X	707084X	39260-2	39260-3
605197-3	Standard	3.54	706033-1X	706399X	706400X	706043X	39260-2	39260-3
605197-4	Standard	3.73	706033-2X	706399X	706400X	706043X	39260-2	39260-3
605197-5	Trac Lok	3.54	706661-6X	707097X	706039X	707084X	39260-2	39260-3
605197-6	Standard	3.07	706661-11X	706036X	706040X	706043X	39260-2	39260-3
1984-85 F-350 & F-350 Chassis								
605198-1	Trac Lok	3.54	706661-6X	707097X	706039X	707084X	39260-1	39260-1
605198-2	Standard	3.73	706033-2X	706399X	706400X	706043X	39260-1	39260-1
605198-3	Standard	4.10	706033-3X	706399X	706400X	706043X	39260-1	39260-1
605198-4	Trac Lok	4.10	706661-9X	707097X	706039X	707084X	39260-1	39260-1
605198-5	Standard	3.07	706661-11X	706036X	706040X	706043X	39260-1	39260-1
605198-6	Standard	3.54	706033-1X	706399X	706400X	706043X	39260-1	39260-1
1984-85 E-350 Van SRW - Full Float								
605212-1	Standard	3.07	706661-11X	706036X	706040X	706043X	39260-4	39260-5
605212-2	Standard	3.54	706033-1X	706399X	706039X	706043X	39260-4	39260-5
605212-3	Trac Lok	3.54	706661-6X	707097X	706039X	707084X	39260-4	39260-5
605212-4	Standard	3.73	706033-2X	706399X	706400X	706043X	39260-4	39260-5
605212-5	Standard	4.10	706033-3X	706399X	706400X	706043X	39260-4	39260-5
605212-6	Trac Lok	4.10	706661-9X	707097X	706039X	707084X	39260-4	39260-5
1985 F-350 - Full Float								
605244-1	Standard	3.07	706661-11X	706036X	706040X	706043X	39260-2	39260-3
605244-2	Standard	3.54	706033-1X	706399X	706400X	706043X	39260-2	39260-3
605244-3	Trac Lok	3.54	706661-6X	707097X	706039X	707084X	39260-2	39260-3
605244-4	Standard	4.10	706033-3X	706399X	706400X	706043X	39260-2	39260-3
605244-5	Trac Lok	4.10	706661-9X	707097X	706039X	707084X	39260-2	39260-3
605244-6	Standard	4.56	706661-8X	706399X	706400X	706043X	39260-2	39260-3
1985-86 E-350 Van - Full Float								
605252-1	Standard	3.07	706661-11X	706036X	706040X	706043X	39260-4	39260-5
605252-2	Standard	3.54	706033-1X	706399X	706400X	706043X	39260-4	39260-5
605252-3	Trac Lok	3.54	706661-6X	707097X	706039X	707084X	39260-4	39260-5
605252-4	Standard	4.10	706033-3X	706399X	706400X	706043X	39260-4	39260-5
605252-5	Trac Lok	4.10	706661-9X	707097X	706039X	707084X	39260-4	39260-5

6 See Ring Gear & Pinion Kits in XGI Catalog for ratio & tooth combinations.

7 See Differential Case Assy Kits in XGI Catalog for spline data & ratios.

MODEL 61 REAR AXLES FOR FORD

BILL OF MATERIAL TABLE

AXLE			AXLE KITS				SHAFT & JOINT ASSY.	
BILL OF MATERIAL	DIFF. TYPE	RATIO	RING GEAR & PINION KIT 6	DIFFERENTIAL			RIGHT HAND SHAFT ASSY.	LEFT HAND SHAFT ASSY.
				CASE ASSY. KIT 7	CASE KIT	INNER PARTS KIT		
1987 E-350 Van - Full Float								
605299-1	Standard	3.07	706661-11X	706036X	706040X	706043X	39260-7	39260-8
605299-2	Standard	3.54	706033-1X	706399X	706400X	706043X	39260-7	39260-8
605299-3	Trac Lok	3.54	706661-6X	707097X	706039X	707084X	39260-7	39260-8
605299-4	Standard	4.10	706033-3X	706399X	706400X	706043X	39260-7	39260-8
605299-5	Trac Lok	4.10	706661-9X	707097X	706039X	707084X	39260-7	39260-8

⁶ See Ring Gear & Pinion Kits in XGI Catalog for ratio & tooth combinations.

⁷ See Differential Case Assy Kits in XGI Catalog for spline data & ratios.

MODEL 61 REAR AXLES FOR FORD VARIABLE PARTS TABLE

Kits & Parts - Use With All Applications							
Description & Item Number (Refer to "Exploded View" on page 128)			Bills of Material				
			603925	603932	603944	603946	603947
1	End Yoke or Assembly (inc 11)	10	3-4-5731X	2-4-5311X	2-4-5311X	2-4-5311X	2-4-5311X
2	Slinger – End Yoke	11	34592	34592	34592	34592	34592
3	KIT – Carrier Cover	-	707106X	707106X	707106X	707108X	707106X
4	Cover – Carrier	14	42799-1	42799-1	42799-1	42799-2	42799-1
5	KIT – Unit Bearing & Seal	-	—	—	—	706747X	—
6	Bolt – Axle Shaft	36	—	—	—	39414	—
7	Retainer – Wheel Bearing	48	—	—	—	—	—
8	Wedge	49	—	—	—	—	—
9	KIT – RH Rear Axle Shaft	-	—	—	—	706746-1X	—
10	KIT – LH Rear Axle Shaft	-	—	—	—	706746-2X	—

Kits & Parts - Use With All Applications							
BILLS OF MATERIAL (Cont'd.)							
	605022	605030	605039	605040	605056	605064	605087
1	2-4-8051X	2-4-5311X	2-4-5311X	2-4-5311X	2-4-5311X	2-4-5311X	2-4-5311X
2	41195	34592	34592	34592	34592	34592	34592
3	707106X	707108X	707106X	707106X	707106X	707106X	707108X
4	42799-1	42799-2	42799-1	42799-1	42799-1	42799-1	42799-2
5	—	706747X	—	—	—	—	706847X
6	—	39414	—	—	—	—	39414
7	39695	—	39695	39695	39695	39695	—
8	41373	—	39696	39696	39696	39696	—
9	—	706746-3X	—	—	—	—	706846-1X
10	—	706746-4X	—	—	—	—	706846-2X

Kits & Parts - Use With All Applications							
BILLS OF MATERIAL (Cont'd.)							
	605088	605154	605156	605178	605197	605198	605212
1	2-4-5311X	2-4-5311X	2-4-5311X	2-4-5311X	2-4-8051X	2-4-8051X	2-4-8051X
2	34592	34592	34592	34592	41195	41195	41195
3	707108X	707106X	707106X	707108X	707106X	707106X	707106X
4	42799-2	42799-1	42799-1	42799-2	42799-1	42799-1	42799-1
5	706847X	706847X	706847X	706847X	—	—	—
6	39414	40751/40752	40751/40752	—	—	—	—
7	—	—	—	—	39695	39695	39695
8	—	—	—	—	41373	41373	41373
9	706846-3X	706846-11X	706846-13X	706846-3X	—	—	—
10	706846-4X	706846-12X	706846-14X	706846-4X	—	—	—

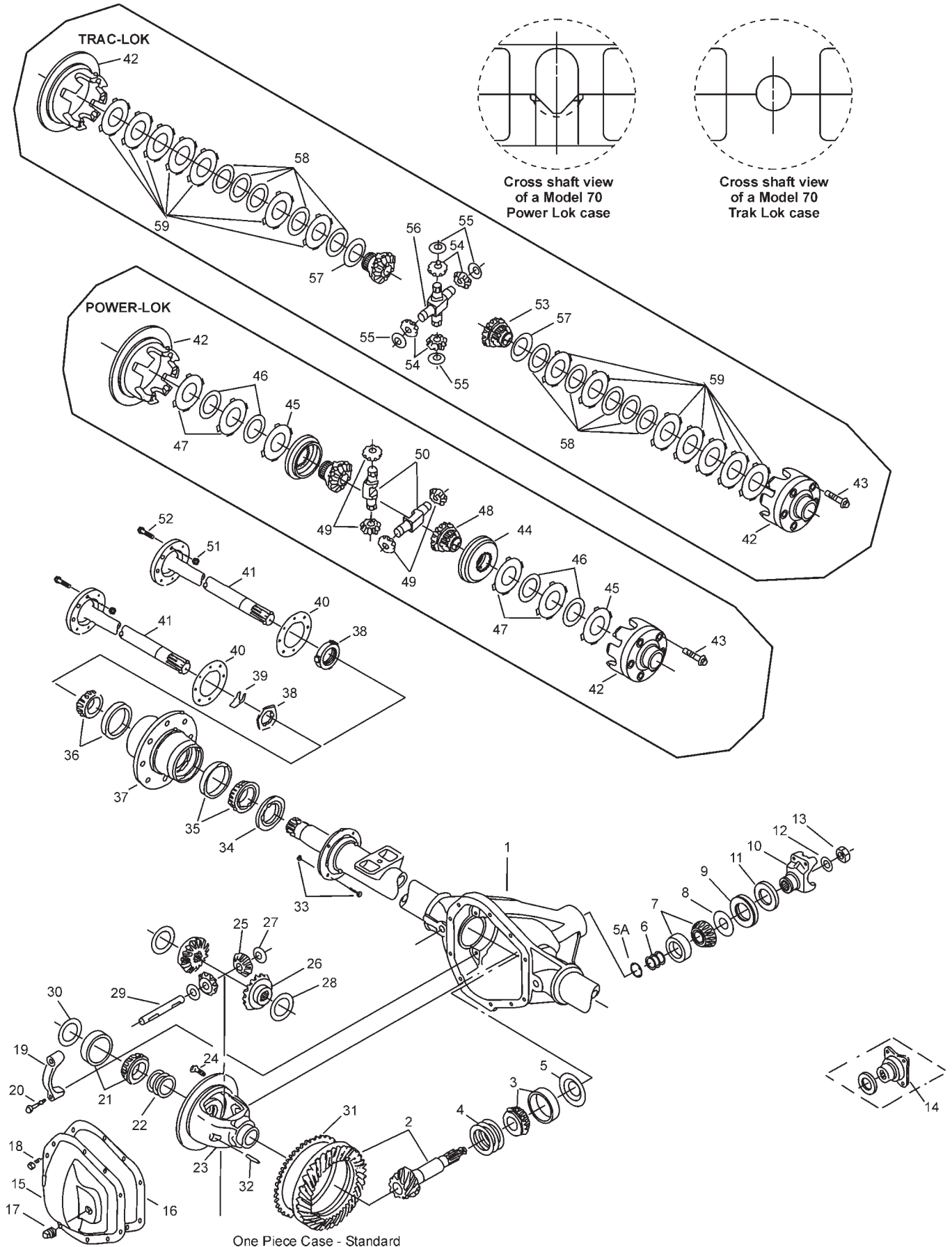
(See next page for additional bills of material)

MODEL 61 REAR AXLES FOR FORD VARIABLE PARTS TABLE

Kits & Parts - Use With All Applications						
Description & Item Number (Refer to "Exploded View" on page 128)			Bills of Material			
			605244	605252	605299	
1	End Yoke or Assembly (inc 11)	10	2-4-8051X	2-4-8051X	2-4-8051X	
2	Slinger – End Yoke	11	41195	41195	41195	
3	KIT – Carrier Cover	-	707106X	707106X	707106X	
4	Cover – Carrier	14	42799-1	42799-1	42799-1	
5	KIT – Unit Bearing & Seal	-	—	—	—	
6	Bolt – Axle Shaft	36	—	—	—	
7	Retainer – Wheel Bearing	48	39695	39695	43075	
8	Wedge	49	41373	41373	—	
9	KIT – RH Rear Axle Shaft	-	—	—	—	
10	KIT – LH Rear Axle Shaft	-	—	—	—	

**MODEL 70 /267
REAR AXLES for
AMBULANCE,
CONTINENTAL BAKERY CHASSIS,
E-250, E-350, E-450, F-350 &
UPS CHASSIS**

MODEL 70 /267 REAR EXPLODED VIEW



MODEL 70 REAR AXLES FOR FORD PARTS LISTING

ITEM NO.	PART NUMBER	DESCRIPTION	ITEM NO.	PART NUMBER	DESCRIPTION
1	— ³	Housing – Axle Service	30	— ²	Spacer – Diff Bearing
2	— ¹	Drive Pinion & Gear Kit	31	— ²	Tone Ring (ABS)
3	— ²	Inner Pinion Bearing Kit	32	47024	Lock – Diff Shaft
4	—	Inner Pinion Adj Shims	33	— ³	Nut/Bolt – Brake Mounting
	— ²	KIT – Pinion Brg Adj Shim (inc 4, 6, 11, 12, 15)	34	— ²	Seal – Hub
5	— ²	Baffle – Pinion Bearing	35	— ²	Inner Wheel Bearing Kit
5A	46176	Spacer – Flat	36	— ²	Outer Wheel Bearing Kit
6	— ⁴	Outer Pinion Adj Shims	37	— ³	Hub – Wheel
	— ²	KIT – Diff & Pinion Adj Shim (inc 4, 6, 11, 12, 21)	38	— ²	Spindle Nut / Wheel Brg.Ret.
7	706045X	Outer Pinion Bearing Kit	39	— ²	Wheel Brg. Ret. (Left Hand)
8	42737	Thrustwasher – Bearing	40	39697	Wedge – Locking
9	— ²	Seal – Pinion	41	— ¹	Gasket
10	— ²	End Yoke or Assembly (inc 11)	42	— ⁴	Shaft – Axle Flange Drive
11	— ²	Slinger – End Yoke	43	41610-1	Case – Differential (p/l, t/l)
12	30275	Washer – Pinion Nut	44	42522	Bolt – Differential Case (p/l, t/l)
13	30271	Nut – Pinion		707075X	Ring – Diff Gear (p/l)
14	— ²	Companion Flange Assembly			KIT – Diff Plate & Disc (p/l) (inc 45, 46, 47)
	— ²	KIT – Carrier Cover (inc 15, 16, 17, 18)	45	— ⁴	Plate – Differential
15	— ²	Cover – Carrier	46	— ⁴	Disc – Diff. Dished
16	—	Gasket – Carrier Cover	47	— ⁴	Plate – Differential
17	— ²	Plug – Carrier Cover	48	— ²	Gear – Differential (p/l)
18	— ²	Bolt – Carrier Cover (qty 10)	49	31040	Pinion – Differential (p/l)
19	— ³	Cap – Differential Bearing	50	31041	Shaft – Differential (p/l)
20	48632-1	Bolt – Differential Bearing Cap	51	— ²	Lockwasher
21	— ²	Differential Bearing Kit	52	— ²	Screw – Flange Head
22	— ²	KIT – Diff Brg Adj Shim (inc 16)	53	— ²	Gear – Differential (t/l)
23	— ⁴	Case – Differential (std)	54	— ²	Pinion – Differential (t/l)
24	— ²	Bolt – Drive Gear (qty 12)	55	— ²	Thrustwasher – Pinion (t/l)
25	35080	Pinion – Differential (std)	56	— ²	Shaft – Differential (t/l)
26	— ²	Gear – Differential (std)		702009	KIT – Diff Plate & Disc (t/l) (inc 57,58,59)
27	35082	Thrustwasher – Diff Pinion (std)	57	— ⁴	Disc – Diff Dished
28	34729	Thrustwasher – Diff Gear (std)	58	— ⁴	Disc – Diff Clutch
29	— ²	Shaft – Differential (std)	59	— ⁴	Plate – Diff Pressure

1 See "Bill of Material Table" on page 140

2 See "Variable Parts Table" on page 162

3 Contact Vehicle Manufacturer.

4 Not Sold Separately.

5 Applications using an Inner Pinion Bearing Slinger, place the inner pinion shims on the outboard side of the bearing. Some applications without a slinger may place the shims on the inboard side of the bearing.

MODEL 70 REAR AXLES FOR FORD

BILL OF MATERIAL TABLE

AXLE			AXLE KITS				SHAFT & JOINT ASSY.	
BILL OF MATERIAL	DIFF. TYPE	RATIO	RING GEAR & PINION KIT ⁶	DIFFERENTIAL			RIGHT HAND SHAFT ASSY.	LEFT HAND SHAFT ASSY.
				CASE ASSY. KIT ⁷	CASE KIT	INNER PARTS KIT		
1979 F-350 Pick-Up - 70B								
603935-1	Standard	3.73	706999-2X	706051X	706055X	706058X	36113-1	36113-1
603935-2	Powr Lok	4.10	706999-4X	706049X	706053X	707074X	36113-1	36113-1
603935-3	Powr Lok	3.73	706999-2X	706049X	706053X	707074X	36113-1	36113-1
1979 F-350 Chassis - 70B								
603937-1	Standard	3.73	706999-2X	706051X	706055X	706058X	36113-1	36113-1
603937-2	Standard	3.73	706999-2X	706051X	706055X	706058X	36113-1	36113-1
603937-3	Powr Lok	4.10	706999-4X	706049X	706053X	707074X	36113-1	36113-1
603937-4	Standard	4.56	706999-6X	706052X	706056X	706058X	36113-1	36113-1
603937-5	Standard	4.10	706999-4X	706051X	706055X	706058X	36113-1	36113-1
603937-6	Standard	4.56	706999-6X	706052X	706056X	706058X	36113-1	36113-1
603937-7	Standard	5.13	706999-9X	706052X	706056X	706058X	36113-1	36113-1
603937-8	No Spin	4.10	706999-4X	28286X	706083X	35683	36113-1	36113-1
603937-9	No Spin	4.56	706999-6X	28284X	706084X	35683	36113-1	36113-1
603937-10	Standard	7.17	706999-14X	706052X	706056X	706058X	36113-1	36113-1
603937-11	No Spin	3.73	706999-2X	28286X	706083X	35683	36113-1	36113-1
603937-12	Standard	4.56	706999-6X	706052X	706056X	706058X	36113-1	36113-1
603937-13	Powr Lok	4.56	706999-6X	706050X	706054X	707074X	36113-1	36113-1
603937-14	No Spin	4.56	706999-6X	28284X	706084X	35683	36113-1	36113-1
1979 E-350 Chassis - 70B								
603938-1	Standard	3.73	706999-3X	706051X	706055X	706058X	36113-8	36113-6
603938-2	Standard	3.73	706999-3X	706051X	706055X	706058X	36113-8	36113-6
603938-3	Standard	4.10	706999-4X	706051X	706055X	706058X	36113-8	36113-6
603938-4	Powr Lok	4.10	706999-4X	706049X	706053X	707074X	36113-8	36113-6
603938-5	Standard	4.56	706999-6X	706052X	706056X	706058X	36113-8	36113-6
603938-6	Standard	4.10	706999-4X	706051X	706055X	706058X	36113-8	36113-6
603938-7	Powr Lok	4.10	706999-4X	706049X	706053X	707074X	36113-8	36113-6
603938-8	Standard	4.56	706999-6X	706052X	706056X	706058X	36113-8	36113-6
1979-80 E-350 Van - 70B								
603934-1	Standard	3.73	706999-3X	706051X	706055X	706058X	36113-7	36113-8
603934-2	Standard	3.73	706999-3X	706051X	706055X	706058X	36113-7	36113-8
603934-3	Standard	4.10	706999-4X	706051X	706055X	706058X	36113-7	36113-8
603934-4	Powr Lok	4.10	706999-4X	706049X	706053X	707074X	36113-7	36113-8
603934-5	Powr Lok	3.73	706999-3X	706049X	706053X	707074X	36113-7	36113-8
603934-6	Standard	4.56	706999-6X	706052X	706052X	706058X	36113-7	36113-8
603934-7	Standard	4.10	706999-4X	706051X	706055X	706058X	36113-7	36113-8
603934-8	Powr Lok	4.10	706999-4X	706049X	706053X	707074X	36113-7	36113-8
603934-9	Standard	7.17	706999-14X	706052X	706056X	706058X	36113-7	36113-8
603934-10	Standard	4.56	706999-6X	706052X	706056X	706058X	36113-7	36113-8

⁶ See Ring Gear & Pinion Kits in XGI Catalog for ratio & tooth combinations.

⁷ See Differential Case Assy Kits in XGI Catalog for spline data & ratios.

MODEL 70 REAR AXLES FOR FORD

BILL OF MATERIAL TABLE

AXLE			AXLE KITS				SHAFT & JOINT ASSY.	
BILL OF MATERIAL	DIFF. TYPE	RATIO	RING GEAR & PINION KIT ⁶	DIFFERENTIAL			RIGHT HAND SHAFT ASSY.	LEFT HAND SHAFT ASSY.
				CASE ASSY. KIT ⁷	CASE KIT	INNER PARTS KIT		
1979-80 F-350 U-Haul - 70B								
603936-1	Standard	4.10	706999-4X	706051X	706055X	706058X	36113-1	36113-1
603936-2	Standard	4.56	706999-6X	706052X	706056X	706058X	36113-1	36113-1
603936-3	Standard	4.10	706999-4X	706051X	706055X	706058X	36113-1	36113-1
1979-80 E-350 Chassis - 70HD								
603940-1	Standard	4.10	706999-4X	706064X	706068X	706058X	36113-8	36113-6
603940-2	Powr Lok	4.10	706999-4X	707028X ⁸	707029X	707074X	36113-8	36113-6
603940-3	Standard	4.10	706999-4X	706064X	706068X	706058X	36113-8	36113-6
603940-4	Powr Lok	4.10	706999-4X	707028X ⁸	707029X	707074X	36113-8	36113-6
1980 Ambulance - 70HD								
603909-1	Standard	3.73	706999-2X	706064X	706068X	706058X	36113-17	36113-17
603909-2	Powr Lok	3.73	706999-2X	707028X ⁸	707029X	707074X	36113-17	36113-17
603909-3	Powr Lok	4.10	706999-4X	707028X ⁸	707029X	707074X	36113-17	36113-17
603909-4	Powr Lok	3.73	706999-2X	707028X ⁸	707029X	707074X	36113-17	36113-17
603909-5	Powr Lok	4.10	706999-4X	707028X ⁸	707029X	707074X	36113-17	36113-17
1980 F-350 Big Dooley - 70HD								
603949-1	Standard	4.10	706999-4X	706064X	706068X	706058X	36113-18	36113-19
603949-2	Powr Lok	4.10	706999-4X	707028X ⁸	707029X	707074X	36113-18	36113-19
603949-5	Standard	4.56	706999-6X	706065X	706069X	706058X	36113-18	36113-19
603949-6	Standard	3.73	706999-2X	706064X	706068X	706058X	36113-18	36113-19
1980 F-350 Chassis - 70B								
603962-1	Standard	3.73	706999-2X	706051X	706055X	706058X	36113-1	36113-1
603962-2	Standard	3.73	706999-2X	706051X	706055X	706058X	36113-1	36113-1
603962-3	Standard	4.10	706999-4X	706051X	706055X	706058X	36113-1	36113-1
603962-4	Powr Lok	4.10	706999-4X	706049X	706053X	707074X	36113-1	36113-1
603962-5	Standard	4.10	706999-4X	706051X	706055X	706058X	36113-1	36113-1
603962-6	Powr Lok	4.10	706999-4X	706049X	706053X	707074X	36113-1	36113-1
603962-7	Standard	4.56	706999-6X	706052X	706056X	706058X	36113-1	36113-1
603962-8	No Spin	4.10	706999-4X	28286X	706083X	35683	36113-1	36113-1
603962-9	Powr Lok	4.56	706999-6X	706050X	706054X	707074X	36113-1	36113-1
603962-10	Standard	7.17	706999-14X	706052X	706056X	706058X	36113-1	36113-1

⁶ See Ring Gear & Pinion Kits in XGI Catalog for ratio & tooth combinations.

⁷ See Differential Case Assy Kits in XGI Catalog for spline data & ratios.

⁸ May require 34848-10 and 34848-28 differential bearing spacers.

MODEL 70 REAR AXLES FOR FORD

BILL OF MATERIAL TABLE

AXLE			AXLE KITS				SHAFT & JOINT ASSY.	
BILL OF MATERIAL	DIFF. TYPE	RATIO	RING GEAR & PINION KIT ⁶	DIFFERENTIAL			RIGHT HAND SHAFT ASSY.	LEFT HAND SHAFT ASSY.
				CASE ASSY. KIT ⁷	CASE KIT	INNER PARTS KIT		
1981-82 E-350 Chassis - 70B								
605042-1	Standard	3.73	706999-2X	706051X	706055X	706058X	36113-8	36113-6
605042-2	Standard	4.10	706999-4X	706051X	706055X	706058X	36113-8	36113-6
605042-3	Powr Lok	4.10	706999-4X	706049X	706053X	707074X	36113-8	36113-6
605042-4	Standard	4.56	706999-6X	706052X	706056X	706058X	36113-8	36113-6
605042-5	Powr Lok	3.73	706999-2X	706049X	706053X	707074X	36113-8	36113-6
605042-6	Standard	7.17	706999-14X	706052X	706056X	706058X	36113-8	36113-6
605042-7	Standard	3.73	706999-2X	706051X	706055X	706058X	36113-8	36113-6
605042-8	Standard	4.10	706999-4X	706051X	706055X	706058X	36113-8	36113-6
605042-9	Powr Lok	4.10	706999-4X	706049X	706053X	707074X	36113-8	36113-6
605042-10	Standard	4.56	706999-6X	706052X	706056X	706058X	36113-8	36113-6
605042-11	Powr Lok	3.73	706999-2X	706049X	706053X	707074X	36113-8	36113-6
605042-12	Standard	7.17	706999-14X	706052X	706056X	706058X	36113-8	36113-6
1981-82 F-350 DSO Ambulance - 70HD								
605055-1	Standard	3.73	706999-2X	706064X	706068X	706058X	36113-17	36113-17
605055-3	Powr Lok	4.10	706999-4X	707028X ⁸	707029X	707074X	36113-17	36113-17
605055-5	Powr Lok	4.10	706999-4X	707028X ⁸	707029X	707074X	36113-17	36113-17
605055-6	Standard	7.17	706999-14X	706065X	706069X	706058X	36113-17	36113-17
1981-82 E-350 School Bus - 70B								
605057-1	Standard	3.73	706999-2X	706051X	706055X	706058X	36113-8	36113-6
605057-2	Standard	4.10	706999-4X	706051X	706055X	706058X	36113-8	36113-6
605057-3	Powr Lok	4.10	706999-4X	706049X	706053X	707074X	36113-8	36113-6
605057-4	Powr Lok	3.73	706999-2X	706049X	706053X	707074X	36113-8	36113-6
605057-5	Standard	3.73	706999-2X	706051X	706055X	706058X	36113-8	36113-6
605057-6	Standard	4.10	706999-4X	706051X	706055X	706058X	36113-8	36113-6
605057-7	Powr Lok	4.10	706999-4X	706049X	706053X	707074X	36113-8	36113-6
605057-8	Powr Lok	3.73	706999-2X	706049X	706053X	707074X	36113-8	36113-6

⁶ See Ring Gear & Pinion Kits in XGI Catalog for ratio & tooth combinations.

⁷ See Differential Case Assy Kits in XGI Catalog for spline data & ratios.

⁸ May require 34848-10 and 34848-28 differential bearing spacers.

MODEL 70 REAR AXLES FOR FORD

BILL OF MATERIAL TABLE

AXLE			AXLE KITS				SHAFT & JOINT ASSY.	
BILL OF MATERIAL	DIFF. TYPE	RATIO	RING GEAR & PINION KIT ⁶	DIFFERENTIAL			RIGHT HAND SHAFT ASSY.	LEFT HAND SHAFT ASSY.
				CASE ASSY. KIT ⁷	CASE KIT	INNER PARTS KIT		
1981-83 F-350 Chassis DSO Dual Wheel - 70B								
605038-1	Standard	3.73	706999-2X	706051X	706055X	706058X	36113-1	36113-1
605038-2	Standard	4.10	706999-4X	706051X	706055X	706058X	36113-1	36113-1
605038-3	Powr Lok	4.10	706999-4X	706049X	706053X	707074X	36113-1	36113-1
605038-4	Standard	4.56	706999-6X	706052X	706056X	706058X	36113-1	36113-1
605038-5	Standard	7.17	706999-14X	706052X	706056X	706058X	36113-1	36113-1
605038-6	Powr Lok	4.10	706999-4X	706049X	706053X	707074X	36113-1	36113-1
605038-7	Powr Lok	4.56	706999-6X	706050X	706054X	707074X	36113-1	36113-1
605038-8	Powr Lok	7.17	706999-14X	706050X	706054X	707074X	36113-1	36113-1
605038-10	Powr Lok	3.54	706999-1X	706049X	706053X	707074X	36113-1	36113-1
605038-11	No Spin	7.17	706999-14X	28284X	706084X	35683	36113-1	36113-1
605038-12	Standard	3.73	706999-2X	706051X	706055X	706058X	36113-1	36113-1
605038-13	Standard	4.10	706999-4X	706051X	706055X	706058X	36113-1	36113-1
605038-14	Powr Lok	4.10	706999-4X	706049X	706053X	707074X	36113-1	36113-1
605038-15	Powr Lok	4.10	706999-4X	706049X	706053X	707074X	36113-1	36113-1
605038-16	Standard	7.17	706999-14X	706052X	706056X	706058X	36113-1	36113-1
605038-17	No Spin	4.10	706999-4X	706049X	706053X	707074X	36113-1	36113-1
605038-18	Powr Lok	4.56	706999-6X	706050X	706054X	707074X	36113-1	36113-1
605038-19	Powr Lok	7.17	706999-14X	706050X	706054X	707074X	36113-1	36113-1
605038-20	Standard	3.54	706999-1X	706051X	706055X	706058X	36113-1	36113-1
605038-22	No Spin	7.17	706999-14X	28284X	706084X	35683	36113-1	36113-1
1981-83 F-350 Heavy Duty Chassis - 70HD								
605044-1	Standard	4.10	706999-4X	706064X	706068X	706058X	36113-1	36113-1
605044-2	Powr Lok	4.10	706999-4X	707028X ⁸	707029X	707074X	36113-1	36113-1
605044-3	Standard	3.73	706999-2X	706064X	706068X	706058X	36113-1	36113-1
605044-4	Standard	4.56	706999-6X	706065X	706069X	706058X	36113-1	36113-1
605044-5	Powr Lok	4.56	706999-6X	706063X	706730X	707074X	36113-1	36113-1
605044-6	Standard	7.17	706999-14X	706065X	706069X	706058X	36113-1	36113-1
605044-7	No Spin	7.17	706999-14X	26996X	706098X	35683	36113-1	36113-1
605044-8	No Spin	4.10	706999-4X	70716X	706185X	35683	36113-1	36113-1
605044-9	Standard	6.17	706999-12X	706065X	706069X	706058X	36113-1	36113-1
605044-10	Standard	4.10	706999-4X	706064X	706068X	706058X	36113-1	36113-1
605044-11	Powr Lok	4.10	706999-4X	707028X ⁸	707029X	707074X	36113-1	36113-1
605044-12	Standard	3.73	706999-2X	706064X	706068X	706058X	36113-1	36113-1
605044-13	Standard	4.56	706999-6X	706065X	706069X	706058X	36113-1	36113-1
605044-14	Powr Lok	4.56	706999-6X	706063X	706730X	707074X	36113-1	36113-1
605044-15	Standard	7.17	706999-14X	706065X	706069X	706058X	36113-1	36113-1
605044-16	No Spin	7.17	706999-14X	26996X	706098X	35683	36113-1	36113-1
605044-17	No Spin	4.10	706999-4X	70716X	706185X	35683	36113-1	36113-1
605044-18	Standard	6.17	706999-12X	706065X	706069X	706058X	36113-1	36113-1

⁶ See Ring Gear & Pinion Kits in XGI Catalog for ratio & tooth combinations.

⁷ See Differential Case Assy Kits in XGI Catalog for spline data & ratios.

⁸ May require 34848-10 and 34848-28 differential bearing spacers.

MODEL 70 REAR AXLES FOR FORD

BILL OF MATERIAL TABLE

AXLE			AXLE KITS				SHAFT & JOINT ASSY.	
BILL OF MATERIAL	DIFF. TYPE	RATIO	RING GEAR & PINION KIT ⁶	DIFFERENTIAL			RIGHT HAND SHAFT ASSY.	LEFT HAND SHAFT ASSY.
				CASE ASSY. KIT ⁷	CASE KIT	INNER PARTS KIT		
1981-83 F-350 Dual Wheel - 70HD								
605045-1	Standard	4.10	706999-4X	706064X	706068X	706058X	36113-18	36113-19
605045-2	Powr Lok	4.10	706999-4X	707028X ⁸	707029X	707074X	36113-18	36113-19
605045-3	Standard	4.56	706999-6X	706065X	706069X	706058X	36113-18	36113-19
605045-4	Standard	3.73	706999-2X	706064X	706068X	706058X	36113-18	36113-19
605045-5	Standard	4.10	706999-4X	706064X	706068X	706058X	36113-18	36113-19
605045-6	Powr Lok	4.10	706999-4X	707028X ⁸	707029X	707074X	36113-18	36113-19
605045-7	Standard	4.56	706999-6X	706065X	706069X	706058X	36113-18	36113-19
605045-8	Standard	3.73	706999-2X	706064X	706068X	706058X	36113-18	36113-19
605045-9	Standard	3.54	706999-1X	706064X	706068X	706058X	36113-18	36113-19
605045-10	Powr Lok	3.54	706999-1X	706064X	707029X	706058X	36113-18	36113-19
605045-11	Standard	4.56	706999-6X	706065X	706069X	706058X	36113-18	36113-19
605045-12	Standard	4.10	706999-4X	706064X	706068X	706058X	36113-18	36113-19
605045-13	Powr Lok	4.10	706999-4X	707028X ⁸	707029X	707074X	36113-18	36113-19
605045-14	Standard	4.56	706999-6X	706065X	706069X	706058X	36113-18	36113-19
605045-15	Standard	3.73	706999-2X	706064X	706068X	706058X	36113-18	36113-19
605045-16	Standard	4.10	706999-4X	706064X	706068X	706058X	36113-18	36113-19
605045-17	Powr Lok	4.10	706999-4X	707028X ⁸	707029X	707074X	36113-18	36113-19
605045-18	Standard	4.56	706999-6X	706065X	706069X	706058X	36113-18	36113-19
605045-19	Standard	3.73	706999-2X	706064X	706068X	706058X	36113-18	36113-19
605045-22	Standard	4.56	706999-6X	706065X	706069X	706058X	36113-18	36113-19
1981-83 F-350 U-Haul - 70B								
605054-1	Standard	4.10	706999-4X	706051X	706055X	706058X	36113-1	36113-1
605054-3	Standard	4.10	706999-4X	706051X	706055X	706058X	36113-1	36113-1
605054-4	Standard	4.10	706999-4X	706051X	706055X	706058X	36113-1	36113-1
605054-6	Standard	4.10	706999-4X	706051X	706055X	706058X	36113-1	36113-1

⁶ See Ring Gear & Pinion Kits in XGI Catalog for ratio & tooth combinations.

⁷ See Differential Case Assy Kits in XGI Catalog for spline data & ratios.

⁸ May require 34848-10 and 34848-28 differential bearing spacers.

MODEL 70 REAR AXLES FOR FORD

BILL OF MATERIAL TABLE

AXLE			AXLE KITS				SHAFT & JOINT ASSY.	
BILL OF MATERIAL	DIFF. TYPE	RATIO	RING GEAR & PINION KIT ⁶	DIFFERENTIAL			RIGHT HAND SHAFT ASSY.	LEFT HAND SHAFT ASSY.
				CASE ASSY. KIT ⁷	CASE KIT	INNER PARTS KIT		
1981-85 E-350 DSO - 70HD								
605053-2	Powr Lok	4.10	706999-4X	707028X ⁸	707029X	707074X	36113-8	36113-6
605053-3	Standard	4.10	706999-4X	706064X	706068X	706058X	36113-8	36113-6
605053-4	Powr Lok	4.10	706999-4X	707028X ⁸	707029X	707074X	36113-8	36113-6
605053-5	Standard	3.73	706999-2X	706064X	706068X	706058X	36113-8	36113-6
605053-6	Powr Lok	3.73	706999-2X	707028X ⁸	707029X	707074X	36113-8	36113-6
605053-7	Standard	4.10	706999-4X	706064X	706068X	706058X	36113-8	36113-6
605053-8	Powr Lok	4.10	706999-4X	707028X ⁸	707029X	707074X	36113-8	36113-6
605053-9	Standard	4.10	706999-4X	706064X	706068X	706058X	36113-8	36113-6
605053-10	Powr Lok	4.10	706999-4X	707028X ⁸	707029X	707074X	36113-8	36113-6
605053-11	Standard	3.73	706999-2X	706064X	706068X	706058X	36113-8	36113-6
605053-12	Powr Lok	3.73	706999-2X	707028X ⁸	707029X	707074X	36113-8	36113-6
605053-13	Standard	4.10	706999-4X	706064X	706068X	706058X	36113-8	36113-6
605053-14	Powr Lok	4.10	706999-4X	707028X ⁸	707029X	707074X	36113-8	36113-6
605053-15	Standard	3.73	706999-2X	706064X	706068X	706058X	36113-8	36113-6
605053-16	Powr Lok	3.73	706999-2X	707028X ⁸	707029X	707074X	36113-8	36113-6
605053-17	Standard	3.54	706999-1X	706064X	706068X	706058X	36113-8	36113-6
605053-18	Powr Lok	3.54	706999-1X	707028X ⁸	707029X	707074X	36113-8	36113-6
605053-19	Standard	4.10	706999-4X	706064X	706068X	706058X	36113-8	36113-6
605053-20	Powr Lok	4.10	706999-4X	707028X ⁸	707029X	707074X	36113-8	36113-6
605053-22	Powr Lok	3.73	706999-2X	707028X ⁸	707029X	707074X	36113-8	36113-6
1981 1/2-83 E-350 DSO - 70B								
605080-2	Standard	4.10	706999-4X	706051X	706055X	706058X	36113-8	36113-6
605080-4	Standard	4.56	706999-6X	706052X	706056X	706058X	36113-8	36113-6
1981 1/2-83 E-350 DSO - 70HD								
605101-1	Standard	4.10	706999-4X	706064X	706068X	706058X	36113-8	36113-6
605101-2	Powr Lok	4.10	706999-4X	707028X ⁸	707029X	707074X	36113-8	36113-6
605101-3	Standard	4.10	706999-4X	706064X	706068X	706058X	36113-8	36113-6
605101-4	Powr Lok	4.10	706999-4X	707028X ⁸	707029X	707074X	36113-8	36113-6

⁶ See Ring Gear & Pinion Kits in XGI Catalog for ratio & tooth combinations.

⁷ See Differential Case Assy Kits in XGI Catalog for spline data & ratios.

⁸ May require 34848-10 and 34848-28 differential bearing spacers.

MODEL 70 REAR AXLES FOR FORD

BILL OF MATERIAL TABLE

AXLE			AXLE KITS				SHAFT & JOINT ASSY.	
BILL OF MATERIAL	DIFF. TYPE	RATIO	RING GEAR & PINION KIT ⁶	DIFFERENTIAL			RIGHT HAND SHAFT ASSY.	LEFT HAND SHAFT ASSY.
				CASE ASSY. KIT ⁷	CASE KIT	INNER PARTS KIT		
1982 1/2-83 E-350 DSO Chassis - 70U								
605114-1	Standard	3.73	706998-2X	706051X	706055X	706058X	36113-8	36113-6
605114-2	Standard	4.10	706998-3X	706051X	706055X	706058X	36113-8	36113-6
605114-3	Powr Lok	4.10	706998-3X	706049X	706053X	707074X	36113-8	36113-6
605114-4	Standard	4.56	706998-4X	706052X	706056X	706058X	36113-8	36113-6
605114-5	Powr Lok	3.73	706998-2X	706049X	706053X	707074X	36113-8	36113-6
605114-6	Standard	3.54	706998-1X	706051X	706055X	706058X	36113-8	36113-6
605114-7	Standard	7.17	706998-9X	706052X	706056X	706058X	36113-8	36113-6
605114-8	Standard	3.73	706998-2X	706051X	706055X	706058X	36113-8	36113-6
605114-9	Standard	4.10	706998-3X	706051X	706055X	706058X	36113-8	36113-6
605114-10	Powr Lok	4.10	706998-3X	706049X	706053X	707074X	36113-8	36113-6
605114-11	Standard	4.56	706998-4X	706052X	706056X	706058X	36113-8	36113-6
605114-12	Powr Lok	3.73	706998-2X	706049X	706053X	707074X	36113-8	36113-6
605114-13	Standard	3.54	706998-1X	706051X	706055X	706058X	36113-8	36113-6
605114-14	Standard	7.17	706998-9X	706052X	706056X	706058X	36113-8	36113-6
605114-15	Standard	3.54	706998-1X	706051X	706055X	706058X	36113-8	36113-6
605114-16	Powr Lok	3.73	706998-2X	706049X	706053X	707074X	36113-8	36113-6
605114-17	Standard	4.10	706998-3X	706051X	706055X	706058X	36113-8	36113-6
605114-18	Powr Lok	4.10	706998-3X	706049X	706053X	707074X	36113-8	36113-6
605114-19	Standard	3.54	706998-1X	706051X	706055X	706058X	36113-8	36113-6
605114-26	Standard	7.17	706998-9X	706052X	706056X	706058X	36113-8	36113-6
1982 1/2-83 F-350 DSO Wide Track - 70HD								
605118-1	Standard	3.73	706999-2X	706064X	706068X	706058X	36113-17	36113-17
605118-2	Powr Lok	4.10	706999-4X	707028X ⁸	707029X	707074X	36113-17	36113-17
605118-3	Standard	3.54	706999-1X	706064X	706068X	706058X	36113-17	36113-17
605118-4	Standard	4.10	706999-4X	706064X	706068X	706058X	36113-17	36113-17
605118-5	Standard	3.73	706999-2X	706064X	706068X	706058X	36113-17	36113-17
605118-6	Powr Lok	4.10	706999-4X	707028X ⁸	707029X	707074X	36113-17	36113-17
605118-7	Standard	3.54	706999-1X	706064X	706068X	706058X	36113-17	36113-17
605118-8	Standard	4.10	706999-4X	706064X	706068X	706058X	36113-17	36113-17

⁶ See Ring Gear & Pinion Kits in XGI Catalog for ratio & tooth combinations.

⁷ See Differential Case Assy Kits in XGI Catalog for spline data & ratios.

⁸ May require 34848-10 and 34848-28 differential bearing spacers.

MODEL 70 REAR AXLES FOR FORD

BILL OF MATERIAL TABLE

AXLE			AXLE KITS				SHAFT & JOINT ASSY.	
BILL OF MATERIAL	DIFF. TYPE	RATIO	RING GEAR & PINION KIT ⁶	DIFFERENTIAL			RIGHT HAND SHAFT ASSY.	LEFT HAND SHAFT ASSY.
				CASE ASSY. KIT ⁷	CASE KIT	INNER PARTS KIT		
1982 1/2-83 E-350 DSO - 70B								
605139-1	Standard	3.73	706999-2X	706051X	706055X	706058X	36113-1	36113-1
1982 1/2-83 1/2 F-350 DSO Ambulance - 70HD								
605138-1	Powr Lok	4.10	706999-4X	707028X ⁸	707029X	707074X	36113-17	36113-17
605138-2	Standard	3.73	706999-2X	706064X	706068X	706058X	36113-17	36113-17
605138-3	Powr Lok	3.73	706999-2X	707028X ⁸	707029X	707074X	36113-17	36113-17
605138-4	Powr Lok	4.10	706999-4X	707028X ⁸	707029X	707074X	36113-17	36113-17
605138-5	Standard	3.73	706999-2X	706064X	706068X	706058X	36113-17	36113-17
605138-6	Powr Lok	3.73	706999-2X	707028X ⁸	707029X	707074X	36113-17	36113-17
1983 E-350 DSO Chassis - 70U								
605115-1	Standard	3.73	706998-2X	706051X	706055X	706058X	36113-8	36113-6
605115-2	Standard	4.10	706998-3X	706051X	706055X	706058X	36113-8	36113-6
605115-3	Powr Lok	4.10	706998-3X	706049X	706053X	707074X	36113-8	36113-6
605115-4	Powr Lok	3.73	706998-2X	706049X	706053X	707074X	36113-8	36113-6
605115-5	Standard	3.54	706998-1X	706051X	706055X	706058X	36113-8	36113-6
605115-6	Standard	3.73	706998-2X	706051X	706055X	706058X	36113-8	36113-6
605115-7	Standard	4.10	706998-3X	706051X	706055X	706058X	36113-8	36113-6
605115-8	Powr Lok	4.10	706998-3X	706049X	706053X	707074X	36113-8	36113-6
605115-9	Powr Lok	3.73	706998-2X	706049X	706053X	707074X	36113-8	36113-6
605115-10	Standard	3.54	706998-1X	706051X	706055X	706058X	36113-8	36113-6
1983 1/2 E-350 DSO - 70B								
605143-1	Standard	4.10	706999-4X	706051X	706055X	706058X	36113-8	36113-6
605143-2	Standard	4.56	706999-6X	706052X	706056X	706058X	36113-8	36113-6

⁶ See Ring Gear & Pinion Kits in XGI Catalog for ratio & tooth combinations.

⁷ See Differential Case Assy Kits in XGI Catalog for spline data & ratios.

⁸ May require 34848-10 and 34848-28 differential bearing spacers.

MODEL 70 REAR AXLES FOR FORD

BILL OF MATERIAL TABLE

AXLE			AXLE KITS				SHAFT & JOINT ASSY.	
BILL OF MATERIAL	DIFF. TYPE	RATIO	RING GEAR & PINION KIT ⁶	DIFFERENTIAL			RIGHT HAND SHAFT ASSY.	LEFT HAND SHAFT ASSY.
				CASE ASSY. KIT ⁷	CASE KIT	INNER PARTS KIT		
1983 1/2 F-350 Chassis - 70U								
605175-1	Standard	3.54	706998-1X	706051X	706055X	706058X	36113-1	36113-1
605175-2	Powr Lok	3.54	706998-1X	706049X	706053X	707074X	36113-1	36113-1
605175-3	Standard	4.10	706998-3X	706051X	706055X	706058X	36113-1	36113-1
605175-4	Powr Lok	4.10	706998-3X	706049X	706053X	707074X	36113-1	36113-1
605175-5	Standard	3.54	706998-1X	706051X	706055X	706058X	36113-1	36113-1
605175-6	Powr Lok	3.54	706998-1X	706049X	706053X	707074X	36113-1	36113-1
605175-7	Standard	4.10	706998-3X	706051X	706055X	706058X	36113-1	36113-1
605175-8	Powr Lok	4.10	706998-3X	706049X	706053X	707074X	36113-1	36113-1
605175-9	Standard	3.54	706998-1X	706051X	706055X	706058X	36113-1	36113-1
605175-10	Powr Lok	3.54	706998-1X	706049X	706053X	707074X	36113-1	36113-1
605175-11	Standard	4.10	706998-3X	706051X	706055X	706058X	36113-1	36113-1
605175-12	Powr Lok	4.10	706998-3X	706049X	706053X	707074X	36113-1	36113-1
605175-13	Standard	4.56	706998-4X	706052X	706056X	706058X	36113-1	36113-1
605175-14	Standard	3.54	706998-1X	706051X	706055X	706058X	36113-1	36113-1
605175-15	Powr Lok	3.54	706998-1X	706049X	706053X	707074X	36113-1	36113-1
605175-16	Standard	4.10	706998-3X	706051X	706055X	706058X	36113-1	36113-1
605175-17	Powr Lok	4.10	706998-3X	706049X	706053X	707074X	36113-1	36113-1
605175-18	Standard	7.17	706999-15X	706052X	706056X	706058X	36113-1	36113-1
605175-19	Standard	4.56	706998-4X	706052X	706056X	706058X	36113-1	36113-1
605175-23	No Spin	7.17	706999-15X	28284X	706084X	35683	36113-1	36113-1

⁶ See Ring Gear & Pinion Kits in XGI Catalog for ratio & tooth combinations.

⁷ See Differential Case Assy Kits in XGI Catalog for spline data & ratios.

MODEL 70 REAR AXLES FOR FORD

BILL OF MATERIAL TABLE

AXLE			AXLE KITS				SHAFT & JOINT ASSY.	
BILL OF MATERIAL	DIFF. TYPE	RATIO	RING GEAR & PINION KIT ⁶	DIFFERENTIAL			RIGHT HAND SHAFT ASSY.	LEFT HAND SHAFT ASSY.
				CASE ASSY. KIT ⁷	CASE KIT	INNER PARTS KIT		
1983 1/2 F-350 U-Haul - 70U								
605206-1	Standard	4.10	706998-3X	706051X	706055X	706058X	36113-1	36113-1
605206-2	Standard	4.56	706998-4X	706052X	706056X	706058X	36113-1	36113-1
605206-3	Standard	4.10	706998-3X	706051X	706055X	706058X	36113-1	36113-1
1983 1/2-85 F-350 Heavy Duty Chassis - 70HD								
605176-1	Standard	4.10	706999-4X	706064X	706068X	706058X	36113-1	36113-1
605176-2	Standard	4.56	706999-6X	706065X	706069X	706058X	36113-1	36113-1
605176-3	Standard	4.10	706999-4X	706064X	706068X	706058X	36113-1	36113-1
605176-4	Standard	4.56	706999-6X	706065X	706069X	706058X	36113-1	36113-1
605176-5	Standard	4.10	706999-4X	706064X	706068X	706058X	36113-1	36113-1
605176-6	Standard	3.73	706999-2X	706064X	706068X	706058X	36113-1	36113-1
605176-7	Powr Lok	4.10	706999-4X	707028X ⁸	707029X	707074X	36113-1	36113-1
605176-8	Powr Lok	4.56	706999-6X	706063X	706067X	707074X	36113-1	36113-1
605176-9	Standard	4.10	706999-4X	706064X	706068X	706058X	36113-1	36113-1
605176-10	Standard	3.54	706999-1X	706064X	706068X	706058X	36113-1	36113-1
605176-11	Powr Lok	4.10	706999-4X	707028X ⁸	707029X	707074X	36113-1	36113-1
605176-12	Standard	4.56	706999-6X	706065X	706069X	706058X	36113-1	36113-1
605176-13	Powr Lok	4.56	706999-6X	706063X	706067X	707074X	36113-1	36113-1
605176-14	Standard	6.17	706999-12X	706065X	706069X	706058X	36113-1	36113-1
605176-15	Powr Lok	3.54	706999-1X	707028X ⁸	707029X	707074X	36113-1	36113-1
605176-16	Powr Lok	4.10	706999-4X	707028X ⁸	707029X	707074X	36113-1	36113-1
605176-17	Powr Lok	3.54	706999-1X	707028X ⁸	707029X	707074X	36113-1	36113-1
605176-18	Standard	4.56	706999-6X	706065X	706069X	706058X	36113-1	36113-1
1983 1/2-85 F-350 Pick-Up - 70U								
605204-1	Standard	4.10	706998-3X	706051X	706055X	707074X	36113-7	36113-21
605204-2	Powr Lok	4.10	706998-3X	706049X	706053X	707074X	36113-7	36113-21
605204-3	Standard	3.54	706998-1X	706051X	706055X	706058X	36113-7	36113-21
605204-4	Powr Lok	3.54	706998-1X	706049X	706053X	707074X	36113-7	36113-21
605204-5	Standard	3.54	706998-1X	706051X	706055X	706058X	36113-7	36113-21
605204-6	Powr Lok	3.54	706998-1X	706049X	706053X	707074X	36113-7	36113-21
605204-7	Standard	4.10	706998-3X	706051X	706055X	706058X	36113-7	36113-21
605204-8	Powr Lok	4.10	706998-3X	706049X	706053X	707074X	36113-7	36113-21

⁶ See Ring Gear & Pinion Kits in XGI Catalog for ratio & tooth combinations.

⁷ See Differential Case Assy Kits in XGI Catalog for spline data & ratios.

⁸ May require 34848-10 and 34848-28 differential bearing spacers.

MODEL 70 REAR AXLES FOR FORD

BILL OF MATERIAL TABLE

AXLE			AXLE KITS				SHAFT & JOINT ASSY.	
BILL OF MATERIAL	DIFF. TYPE	RATIO	RING GEAR & PINION KIT ⁶	DIFFERENTIAL			RIGHT HAND SHAFT ASSY.	LEFT HAND SHAFT ASSY.
				CASE ASSY. KIT ⁷	CASE KIT	INNER PARTS KIT		
1983 1/2-85 F-350 Chassis - 70U								
605205-1	Standard	4.10	706998-3X	706051X	706055X	706058X	36113-23	36113-22
605205-2	Powr Lok	4.10	706998-3X	706049X	706053X	707074X	36113-23	36113-22
605205-3	Standard	3.54	706998-1X	706051X	706055X	706058X	36113-23	36113-22
605205-4	Powr Lok	3.54	706998-1X	706049X	706053X	707074X	36113-23	36113-22
605205-5	Standard	3.54	706998-1X	706051X	706055X	706058X	36113-23	36113-22
605205-6	Powr Lok	3.54	706998-1X	706049X	706053X	707074X	36113-23	36113-22
605205-7	Standard	4.10	706998-3X	706051X	706055X	706058X	36113-23	36113-22
605205-8	Powr Lok	4.10	706998-3X	706049X	706053X	707074X	36113-23	36113-22
605205-9	Standard	4.56	706998-4X	706052X	706056X	706058X	36113-23	36113-22
605205-10	No Spin	4.56	706998-4X	28284X	706631X	35683	36113-23	36113-22
1983 1/2-85 F-350 DSO Ambulance - 70HD								
605207-1	Powr Lok	4.10	706999-4X	707028X ⁸	707029X	707074X	36113-17	36113-17
605207-2	Standard	3.73	706999-2X	706064X	706068X	706058X	36113-17	36113-17
605207-3	Powr Lok	3.73	706999-2X	707028X ⁸	707029X	707074X	36113-17	36113-17
605207-4	Standard	4.10	706999-4X	706064X	706068X	706058X	36113-17	36113-17
605207-5	Standard	3.54	706999-1X	706064X	706068X	706058X	36113-17	36113-17
605207-6	Powr Lok	4.10	706999-4X	707028X ⁸	707029X	707074X	36113-17	36113-17
605207-7	Standard	3.73	706999-2X	706064X	706068X	706058X	36113-17	36113-17
605207-8	Powr Lok	3.73	706999-2X	707028X ⁸	707029X	707074X	36113-17	36113-17
605207-9	Standard	4.10	706999-4X	706064X	706068X	706058X	36113-17	36113-17
605207-10	Standard	3.54	706999-1X	706064X	706068X	706058X	36113-17	36113-17
605207-11	Powr Lok	4.10	706999-4X	707028X ⁸	707029X	707074X	36113-17	36113-17
605207-12	Standard	3.73	706999-2X	706064X	706068X	706058X	36113-17	36113-17
605207-13	Powr Lok	3.73	706999-2X	707028X ⁸	707029X	707074X	36113-17	36113-17
605207-14	Standard	4.10	706999-4X	706064X	706068X	706058X	36113-17	36113-17
605207-15	Standard	3.54	706999-1X	706064X	706068X	706058X	36113-17	36113-17

⁶ See Ring Gear & Pinion Kits in XGI Catalog for ratio & tooth combinations.

⁷ See Differential Case Assy Kits in XGI Catalog for spline data & ratios.

⁸ May require 34848-10 and 34848-28 differential bearing spacers.

MODEL 70 REAR AXLES FOR FORD

BILL OF MATERIAL TABLE

AXLE			AXLE KITS				SHAFT & JOINT ASSY.	
BILL OF MATERIAL	DIFF. TYPE	RATIO	RING GEAR & PINION KIT ⁶	DIFFERENTIAL			RIGHT HAND SHAFT ASSY.	LEFT HAND SHAFT ASSY.
				CASE ASSY. KIT ⁷	CASE KIT	INNER PARTS KIT		
1984-85 F-350 6 Wheeler - 70HD								
605170-1	Standard	4.10	706999-4X	706064X	706068X	706058X	36113-18	36113-19
605170-2	Powr Lok	4.10	706999-4X	707028X ⁸	707029X	707074X	36113-18	36113-19
605170-3	Standard	4.56	706999-6X	706065X	706069X	706058X	36113-18	36113-19
605170-5	Standard	3.54	706999-1X	706064X	706068X	706058X	36113-18	36113-19
605170-6	Powr Lok	3.54	706999-1X	707028X ⁸	707029X	707074X	36113-18	36113-19
605170-7	Standard	4.10	706999-4X	706064X	706068X	706058X	36113-18	36113-19
605170-8	Powr Lok	4.10	706999-4X	707028X ⁸	707029X	707074X	36113-18	36113-19
605170-9	Standard	4.56	706999-6X	706065X	706069X	706058X	36113-18	36113-19
605170-11	Standard	3.54	706999-1X	706064X	706068X	706058X	36113-18	36113-19
605170-12	Powr Lok	3.54	706999-1X	707028X ⁸	707029X	707074X	36113-18	36113-19
605170-13	Standard	3.54	706999-1X	706064X	706068X	706058X	36113-18	36113-19
605170-14	Powr Lok	3.54	706999-1X	707028X ⁸	707029X	707074X	36113-18	36113-19
605170-15	Standard	4.10	706999-4X	706064X	706068X	706058X	36113-18	36113-19
605170-16	Powr Lok	4.10	706999-4X	707028X ⁸	707029X	707074X	36113-18	36113-19
605170-17	Standard	3.54	706999-1X	706064X	706068X	706058X	36113-18	36113-19
605170-18	Powr Lok	3.54	706999-1X	707028X ⁸	707029X	707074X	36113-18	36113-19
605170-19	Standard	4.10	706999-4X	706064X	706068X	706058X	36113-18	36113-19
605170-20	Powr Lok	4.10	706999-4X	707028X ⁸	707029X	707074X	36113-18	36113-19
1984-85 F-350 Chassis - 70U								
605208-1	Standard	3.54	706998-1X	706051X	706055X	706058X	36113-1	36113-1
605208-2	Powr Lok	3.54	706998-1X	706049X	706053X	707074X	36113-1	36113-1
605208-3	Standard	4.10	706998-3X	706051X	706055X	706058X	36113-1	36113-1
605208-4	Powr Lok	4.10	706998-3X	706049X	706053X	707074X	36113-1	36113-1
605208-5	Standard	3.54	706998-1X	706051X	706055X	706058X	36113-1	36113-1
605208-6	Powr Lok	3.54	706998-1X	706049X	706053X	707074X	36113-1	36113-1
605208-7	Standard	4.10	706998-3X	706051X	706055X	706058X	36113-1	36113-1
605208-8	Powr Lok	4.10	706998-3X	706049X	706053X	707074X	36113-1	36113-1
605208-9	Powr Lok	7.17	706998-10X	706050X	706054X	707074X	36113-1	36113-1
605208-10	Standard	7.17	706998-9X	706052X	706056X	706058X	36113-1	36113-1
605208-11	Standard	4.56	706998-4X	706052X	706056X	706058X	36113-1	36113-1

⁶ See Ring Gear & Pinion Kits in XGI Catalog for ratio & tooth combinations.

⁷ See Differential Case Assy Kits in XGI Catalog for spline data & ratios.

⁸ May require 34848-10 and 34848-28 differential bearing spacers.

MODEL 70 REAR AXLES FOR FORD

BILL OF MATERIAL TABLE

AXLE			AXLE KITS				SHAFT & JOINT ASSY.	
BILL OF MATERIAL	DIFF. TYPE	RATIO	RING GEAR & PINION KIT ⁶	DIFFERENTIAL			RIGHT HAND SHAFT ASSY.	LEFT HAND SHAFT ASSY.
				CASE ASSY. KIT ⁷	CASE KIT	INNER PARTS KIT		
1984-85 E-350 Chassis - 70U								
605213-1	Standard	3.54	706998-1X	706051X	706055X	706058X	36113-8	36113-6
605213-2	Powr Lok	3.54	706998-1X	706049X	706053X	707074X	36113-8	36113-6
605213-3	Powr Lok	3.73	706998-2X	706049X	706053X	707074X	36113-8	36113-6
605213-4	Standard	4.10	706998-3X	706051X	706055X	706058X	36113-8	36113-6
605213-5	Powr Lok	4.10	706998-3X	706049X	706053X	707074X	36113-8	36113-6
605213-6	Standard	3.54	706998-1X	706051X	706055X	706058X	36113-8	36113-6
605213-7	Powr Lok	3.54	706998-1X	706049X	706053X	707074X	36113-8	36113-6
605213-8	Powr Lok	3.73	706998-2X	706049X	706053X	707074X	36113-8	36113-6
605213-9	Standard	4.10	706998-3X	706051X	706055X	706058X	36113-8	36113-6
605213-10	Powr Lok	4.10	706998-3X	706049X	706053X	707074X	36113-8	36113-6
605213-11	Standard	7.17	706998-9X	706052X	706056X	706058X	36113-8	36113-6
605213-12	Standard	4.56	706998-4X	706052X	706056X	706058X	36113-8	36113-6
1985 F-350 Chassis - 70U								
605246-1	Standard	3.54	706998-1X	706051X	706055X	706058X	36113-7	36113-21
605246-2	Standard	4.10	706998-3X	706051X	706055X	706058X	36113-7	36113-21
605246-3	Powr Lok	4.10	706998-3X	707026X	706053X	707074X	36113-7	36113-21
605246-4	Standard	4.56	706998-4X	706052X	706056X	706058X	36113-7	36113-21
605247-1	Standard	3.54	706998-1X	706051X	706055X	706058X	36113-23	36113-22
605247-2	Powr Lok	3.54	706998-1X	707026X	706053X	707074X	36113-23	36113-22
605247-3	Standard	4.10	706998-3X	706051X	706055X	706058X	36113-23	36113-22
605247-4	Powr Lok	4.10	706998-3X	707026X	706053X	707074X	36113-23	36113-22
605248-1	Standard	3.54	706998-1X	706051X	706055X	706058X	36113-1	36113-1
605248-2	Powr Lok	3.54	706998-1X	707026X	706053X	707074X	36113-1	36113-1
605248-3	Standard	4.10	706998-3X	706051X	706055X	706058X	36113-1	36113-1
605248-4	Powr Lok	4.10	706998-3X	707026X	706053X	707074X	36113-1	36113-1
605248-5	Standard	4.56	706998-4X	706052X	706056X	706058X	36113-1	36113-1
605248-6	Standard	4.56	706998-4X	706052X	706056X	706058X	36113-1	36113-1
605248-7	Standard	7.17	706998-9X	706052X	706056X	706058X	36113-1	36113-1
1985 F-350 Heavy Duty Chassis - 70HD								
605249-1	Standard	4.10	706999-4X	706064X	706068X	706058X	36113-1	36113-1
605249-2	Standard	3.54	706999-1X	706064X	706068X	706058X	36113-1	36113-1
605249-3	Powr Lok	4.56	706999-6X	706063X	706730X	707074X	36113-1	36113-1
605249-4	Powr Lok	4.10	706999-4X	707028X ⁸	707029X	707074X	36113-1	36113-1
605249-5	No Spin	4.56	706999-6X	26996X	706098X	35683	36113-1	36113-1
605249-6	Standard	6.17	706999-12X	706065X	706069X	706058X	36113-1	36113-1
605249-7	Standard	4.56	706999-6X	706065X	706069X	706058X	36113-1	36113-1

⁶ See Ring Gear & Pinion Kits in XGI Catalog for ratio & tooth combinations.

⁷ See Differential Case Assy Kits in XGI Catalog for spline data & ratios.

⁸ May require 34848-10 and 34848-28 differential bearing spacers.

MODEL 70 REAR AXLES FOR FORD

BILL OF MATERIAL TABLE

AXLE			AXLE KITS				SHAFT & JOINT ASSY.	
BILL OF MATERIAL	DIFF. TYPE	RATIO	RING GEAR & PINION KIT ⁶	DIFFERENTIAL			RIGHT HAND SHAFT ASSY.	LEFT HAND SHAFT ASSY.
				CASE ASSY. KIT ⁷	CASE KIT	INNER PARTS KIT		
1985 F-350 6 Wheeler - 70HD								
605250-1	Standard	3.54	706999-1X	706064X	706068X	706058X	36113-18	36113-19
605250-2	Standard	4.10	706999-4X	706064X	706068X	706058X	36113-18	36113-19
605250-3	Powr Lok	4.10	706999-4X	707028X	707029X	707074X	36113-18	36113-19
1985-86 E-350 Chassis - 70U								
605253-1	Standard	3.54	706998-1X	706051X	706055X	706058X	36113-8	36113-6
605253-2	Standard	4.10	706998-3X	706051X	706055X	706058X	36113-8	36113-6
605253-3	Powr Lok	4.10	706998-3X	707026X	706053X	707074X	36113-8	36113-6
605253-4	Standard	4.56	706998-4X	706052X	706056X	706058X	36113-8	36113-6
605253-5	Standard	5.13	706998-6X	706052X	706056X	706058X	36113-8	36113-6
1985-87 F-350 DSO Ambulance - 70HD								
605255-1	Standard	3.54	706999-1X	706064X	706068X	706058X	36113-17	36113-17
605255-2	Powr Lok	3.54	706999-1X	707028X	707029X	707074X	36113-17	36113-17
605255-3	Standard	3.73	706999-2X	706064X	706068X	706058X	36113-17	36113-17
605255-4	Powr Lok	3.73	706999-2X	707028X	707029X	707074X	36113-17	36113-17
605255-5	Standard	4.10	706999-4X	706064X	706068X	706058X	36113-17	36113-17
605255-6	Powr Lok	4.10	706999-4X	707028X	707029X	707074X	36113-17	36113-17
1987-88 E-350 Chassis - DRW - 70U								
605300-1	Standard	3.54	706998-1X	706051X	706055X	706058X	36113-27	36113-28
605300-2	Standard	4.10	706998-3X	706051X	706055X	706058X	36113-27	36113-28
605300-3	Powr Lok	4.10	706998-3X	707073X	706053X	707074X	36113-27	36113-28
605300-4	Standard	4.56	706998-4X	706052X	706056X	706058X	36113-27	36113-28
605300-5	Powr Lok	3.54	706998-1X	707073X	706053X	707074X	36113-27	36113-28
1987 1/2 E-350 Chassis - DRW - 70HD								
605344-1	Standard	4.10	706999-4X	706064X	706068X	706058X	36113-27	36113-28
605344-2	Standard	3.54	706999-1X	706064X	706068X	706058X	36113-27	36113-28
605344-3	Powr Lok	3.54	706999-1X	707088X	707029X	707074X	36113-27	36113-28
605344-4	Powr Lok	4.10	706999-4X	707088X	707029X	707074X	36113-27	36113-28
1987 1/2 E-350 Chassis - DRW - 70U								
605352-1	Standard	4.10	706998-3X	706051X	706055X	706058X	36113-27	36113-28
605352-2	Standard	4.56	706998-4X	706052X	706056X	706058X	36113-27	36113-28
1988 1/2-89 E-350 U-Haul Chassis - 70HD								
605337-1	Standard	3.54	706999-1X	706064X	706068X	706058X	36113-27	36113-28
605337-2	Standard	4.10	706999-4X	706064X	706068X	706058X	36113-27	36113-28

⁶ See Ring Gear & Pinion Kits in XGI Catalog for ratio & tooth combinations.

⁷ See Differential Case Assy Kits in XGI Catalog for spline data & ratios.

MODEL 70 REAR AXLES FOR FORD

BILL OF MATERIAL TABLE

AXLE			AXLE KITS				SHAFT & JOINT ASSY.	
BILL OF MATERIAL	DIFF. TYPE	RATIO	RING GEAR & PINION KIT ⁶	DIFFERENTIAL			RIGHT HAND SHAFT ASSY.	LEFT HAND SHAFT ASSY.
				CASE ASSY. KIT ⁷	CASE KIT	INNER PARTS KIT		
1989 E-350 Chassis - DRW - 70U								
605412-1	Standard	3.54	706998-1X	707215X	707216X	706058X	36113-27	36113-28
605412-2	Standard	4.10	706998-3X	707215X	707216X	706058X	36113-27	36113-28
605412-3	Powr Lok	4.10	706998-3X	707145X	707146X	707074X	36113-27	36113-28
605412-4	Standard	4.56	706998-4X	707176X	707177X	706058X	36113-27	36113-28
1989-90 E-350 Motor Home - 70HD								
605438-1	Standard	4.10	706999-4X	706064X	706068X	706058X	36113-27	36113-28
605438-2	Standard	3.54	706999-1X	706064X	706068X	706058X	36113-27	36113-28
605438-3	Powr Lok	3.54	706999-1X	707088X	707029X	707074X	36113-27	36113-28
605438-4	Powr Lok	4.10	706999-4X	707088X	707029X	707074X	36113-27	36113-28
1989-90 1/2 E-350 Motor Home - 70U								
605437-1	Standard	4.10	706998-3X	707215X	707216X	706058X	36113-27	36113-28
605437-2	Standard	4.56	706998-4X	707176X	707177X	706058X	36113-27	36113-28
1990-91 1/2 E-350 Chassis - DRW - ABS - 70U								
605421-1	Standard	3.54	706998-1X	707215X	707216X	706058X	36113-27	36113-28
605421-2	Standard	4.10	706998-3X	707215X	707216X	706058X	36113-27	36113-28
605421-3	Powr Lok	4.10	706998-3X	707145X	707146X	707074X	36113-27	36113-28
1990-91 1/2 E-350 Motor Home - ABS - 70HD								
605471-1	Standard	4.10	706999-4X	707186X	707187X	706058X	36113-27	36113-28
605471-2	Standard	3.54	706999-1X	707186X	707187X	706058X	36113-27	36113-28
605471-3	Powr Lok	3.54	706999-1X	707189X	707188X	707074X	36113-27	36113-28
605471-4	Powr Lok	4.10	706999-4X	707189X	707188X	707074X	36113-27	36113-28
1990-91 1/2 E-350 U-Haul Chassis - ABS - 70HD								
605480-1	Standard	3.54	706999-1X	707186X	707187X	706058X	36113-27	36113-28
605480-2	Standard	4.10	706999-4X	707186X	707187X	706058X	36113-27	36113-28
1990-91 1/2 UPS Chassis - ABS - 70U								
605518-1	Standard	4.10	706998-3X	707241X	707216X	707119X	36113-27	36113-28
1991-91 1/2 Continental Bakery Chassis - ABS - 70U								
605501-1	Standard	3.54	706998-1X	707215X	707216X	706058X	36113-27	36113-28
605501-2	Standard	4.10	706998-3X	707215X	707216X	706058X	36113-27	36113-28

⁶ See Ring Gear & Pinion Kits in XGI Catalog for ratio & tooth combinations.

⁷ See Differential Case Assy Kits in XGI Catalog for spline data & ratios.

MODEL 70 REAR AXLES FOR FORD

BILL OF MATERIAL TABLE

AXLE			AXLE KITS				SHAFT & JOINT ASSY.	
BILL OF MATERIAL	DIFF. TYPE	RATIO	RING GEAR & PINION KIT ⁶	DIFFERENTIAL			RIGHT HAND SHAFT ASSY.	LEFT HAND SHAFT ASSY.
				CASE ASSY. KIT ⁷	CASE KIT	INNER PARTS KIT		
1992 E-350 Chassis - DRW - ABS - 70U								
605488-1	Standard	3.54	706998-1X	707215X	707216X	706058X	36113-27	36113-28
605488-2	Standard	4.10	706998-3X	707215X	707216X	706058X	36113-27	36113-28
605488-3	Powr Lok	4.10	706998-3X	707145X	707146X	707074X	36113-27	36113-28
1992 Continental Bakery Chassis - ABS - 70U								
605537-2	Standard	4.10	706998-3X	707215X	707216X	706058X	36113-27	36113-28
1992-92 1/2 UPS Chassis - ABS - 70U								
605540-1	Standard	4.10	706998-3X	707241X	707216X	707119X	36113-27	36113-28
1992-93 1/2 E-350 Motor Home - ABS - 70HD								
605538-1	Standard	4.10	706999-4X	707186X	707187X	706058X	36113-27	36113-28
605538-2	Standard	3.54	706999-1X	707186X	707187X	706058X	36113-27	36113-28
605538-3	Powr Lok	3.54	706999-1X	707189X	707188X	707074X	36113-27	36113-28
605538-4	Powr Lok	4.10	706999-4X	707189X	707188X	707074X	36113-27	36113-28
605538-5	Standard	4.10	706999-4X	707186X	707187X	706058X	36113-27	36113-28
605538-6	Standard	3.54	706999-1X	707186X	707187X	706058X	36113-27	36113-28
605538-7	Powr Lok	3.54	706999-1X	707189X	707188X	707074X	36113-27	36113-28
605538-8	Powr Lok	4.10	706999-4X	707189X	707188X	707074X	36113-27	36113-28
605538-9	Standard	4.10	706999-4X	707186X	707187X	706058X	36113-27	36113-28
605538-10	Powr Lok	4.10	706999-4X	707189X	707188X	707074X	36113-27	36113-28
1992-93 1/2 E-350 U-Haul Chassis - ABS - 70HD								
605539-1	Standard	3.54	706999-1X	707186X	707187X	706058X	36113-27	36113-28
605539-2	Standard	4.10	706999-4X	707186X	707187X	706058X	36113-27	36113-28
1992 1/2-93 1/2 E-350 Chassis - DRW - ABS - 70U								
605567-1	Standard	3.54	706998-1X	707276X	707216X	707252X	43811-4	43811-7
605567-2	Standard	4.10	706998-3X	707276X	707216X	707252X	43811-4	43811-7
605567-3	Powr Lok	4.10	706998-3X	707277X	707146X	707254X	43811-4	43811-7
605567-4	Standard	3.54	706998-1X	707276X	707216X	707252X	43811-4	43811-7
605567-5	Standard	4.10	706998-3X	707276X	707216X	707252X	43811-4	43811-7
605567-6	Powr Lok	4.10	706998-3X	707277X	707146X	707254X	43811-4	43811-7
1992 1/2-93 1/2 E-350 SRW Cutaway, Wide Track 70 2U - ABS								
605578-1	Standard	4.10	706998-3X	707276X	707216X	707252X	43811-4	43811-7
605578-2	Powr Lok	4.10	706998-3X	707277X	707146X	707254X	43811-4	43811-7

⁶ See Ring Gear & Pinion Kits in XGI Catalog for ratio & tooth combinations.

⁷ See Differential Case Assy Kits in XGI Catalog for spline data & ratios.

MODEL 70 REAR AXLES FOR FORD

BILL OF MATERIAL TABLE

AXLE			AXLE KITS				SHAFT & JOINT ASSY.	
BILL OF MATERIAL	DIFF. TYPE	RATIO	RING GEAR & PINION KIT ⁶	DIFFERENTIAL			RIGHT HAND SHAFT ASSY.	LEFT HAND SHAFT ASSY.
				CASE ASSY. KIT ⁷	CASE KIT	INNER PARTS KIT		
1992 1/2-93 1/2 Continental Bakery Chassis - ABS - 70U								
605583-1	Standard	4.10	706998-3X	707276X	707216X	707252X	43811-4	43811-7
1992 1/2-93 1/2 UPS Chassis - ABS - 70U								
605584-1	Standard	4.10	706998-3X	707312X	707216X	707313X	43811-4	43811-7
1993 1/2-94 E-350 Chassis - DRW - ABS - 70U								
605608-1	Standard	4.10	706998-3X	707276X	707216X	707252X	43811-4	43811-7
605608-2	Powr Lok	4.10	706998-3X	707277X	707146X	707254X	43811-4	43811-7
1993 1/2-94 E-350 Motor Home - ABS - 70HD								
605609-1	Standard	4.10	706999-4X	707186X	707187X	706058X	36113-27	36113-28
605609-2	Powr Lok	4.10	706999-4X	707189X	707188X	707074X	36113-27	36113-28
1993 1/2-94 E-350 Chassis - DRW - ABS - 70U								
605665-1	Standard	4.10	706999-4X	707186X	707187X	706058X	36113-27	36113-28
605666-1	Standard	4.10	706999-4X	707186X	707187X	706058X	36113-27	36113-28
1993 1/2-94 E-350 SRW Cutaway, Wide Track 70 2U - ABS								
605669-1	Standard	4.10	706998-3X	707276X	707216X	707252X	43811-4	43811-7
1993 1/2-94 1/2 E-350 Chassis - DRW - 70U - ABS								
605667-1	Standard	4.10	706999-4X	707186X	707187X	706058X	36113-27	36113-28
1994 E-350 Chassis - DRW - 70U - ABS								
605671-1	Standard	4.10	706998-3X	707276X	707216X	707252X	43811-4	43811-7
605671-2	Powr Lok	4.10	706998-3X	707277X	707146X	707254X	43811-4	43811-7
1994 E-350 Chassis - DRW - 70HD - ABS								
605692-1	Standard	4.10	706999-4X	707186X	707187X	706058X	36113-27	36113-28
605693-1	Standard	4.10	706999-4X	707186X	707187X	706058X	36113-27	36113-28
1994-94 1/2 E-350 Chassis - 70U - ABS								
605640-1	Standard	4.10	706998-3X	707312X	707216X	707313X	43811-4	43811-7

⁶ See Ring Gear & Pinion Kits in XGI Catalog for ratio & tooth combinations.

⁷ See Differential Case Assy Kits in XGI Catalog for spline data & ratios.

MODEL 70 REAR AXLES FOR FORD

BILL OF MATERIAL TABLE

AXLE			AXLE KITS				SHAFT & JOINT ASSY.	
BILL OF MATERIAL	DIFF. TYPE	RATIO	RING GEAR & PINION KIT ⁶	DIFFERENTIAL			RIGHT HAND SHAFT ASSY.	LEFT HAND SHAFT ASSY.
				CASE ASSY. KIT ⁷	CASE KIT	INNER PARTS KIT		
1994-94 1/2 E-350 Motor Home - ABS - 70HD								
605672-1	Standard	4.10	706999-4X	707186X	707187X	706058X	36113-27	36113-28
605672-2	Powr Lok	4.10	706999-4X	707189X	707188X	707074X	36113-27	36113-28
1994-94 1/2 E-350 Chassis - DRW - ABS - 70U								
605673-1	Standard	4.10	706998-3X	707276X	707216X	707252X	43811-4	43811-7
605673-2	Powr Lok	4.10	706998-3X	707277X	707146X	707254X	43811-4	43811-7
1994-94 1/2 E-350 Motor Home - ABS - 70HD								
605675-1	Standard	4.10	706999-4X	707186X	707187X	706058X	36113-27	36113-28
605675-2	Powr Lok	4.10	706999-4X	707189X	707188X	707074X	36113-27	36113-28
1994 1/2-95 E-350 Chassis - DRW - ABS - 70HD								
605714-1	Standard	4.10	706998-3X	707276X	707216X	707252X	43811-4	43811-7
605714-2	Powr Lok	4.10	706998-3X	707277X	707146X	707254X	43811-4	43811-7
1994 1/2-95 E-350 Motor Home - ABS - 70HD								
605715-1	Standard	4.10	706999-4X	707186X	707187X	706058X	36113-27	36113-28
605715-2	Powr Lok	4.10	706999-4X	707189X	707188X	707074X	36113-27	36113-28
1995-95 1/2 E-350 SRW Cutaway, Wide Track - ABS - 70 2U								
605686-1	Standard	4.10	706998-3X	707276X	707216X	707252X	43811-4	43811-7
605686-2	Powr Lok	4.10	706998-3X	707277X	707146X	707254X	43811-4	43811-7
605686-3	Standard	4.10	706998-3X	707276X	707216X	707252X	43811-4	43811-7
605686-4	Powr Lok	4.10	706998-3X	707277X	707146X	707254X	43811-4	43811-7
1995-95 1/2 E-350 Chassis - DRW - ABS - 70U								
605687-1	Standard	4.10	706998-3X	707276X	707216X	707252X	43811-4	43811-7
605687-2	Powr Lok	4.10	706998-3X	707277X	707146X	707254X	43811-4	43811-7
605687-3	Standard	4.10	706998-3X	707276X	707216X	707252X	43811-4	43811-7
605687-4	Powr Lok	4.10	706998-3X	707277X	707146X	707254X	43811-4	43811-7
1995-95 1/2 E-350 Motor Home - ABS - 70HD								
605688-1	Standard	4.10	706999-4X	707186X	707187X	706058X	36113-27	36113-28
605688-2	Powr Lok	4.10	706999-4X	707189X	707188X	707074X	36113-27	36113-28
605688-3	Standard	4.10	706999-4X	707186X	707187X	706058X	36113-27	36113-28
605688-4	Powr Lok	4.10	706999-4X	707189X	707188X	707074X	36113-27	36113-28

⁶ See Ring Gear & Pinion Kits in XGI Catalog for ratio & tooth combinations.

⁷ See Differential Case Assy Kits in XGI Catalog for spline data & ratios.

MODEL 70 REAR AXLES FOR FORD

BILL OF MATERIAL TABLE

AXLE			AXLE KITS				SHAFT & JOINT ASSY.	
BILL OF MATERIAL	DIFF. TYPE	RATIO	RING GEAR & PINION KIT ⁶	DIFFERENTIAL			RIGHT HAND SHAFT ASSY.	LEFT HAND SHAFT ASSY.
				CASE ASSY. KIT ⁷	CASE KIT	INNER PARTS KIT		
1995-95 1/2 E-350 Chassis - DRW - ABS - 70U								
605689-1	Standard	4.10	706998-3X	707276X	707216X	707252X	43811-4	43811-7
605689-2	Powr Lok	4.10	706998-3X	707277X	707146X	707254X	43811-4	43811-7
605689-3	Standard	4.10	706998-3X	707276X	707216X	707252X	43811-4	43811-7
605689-4	Powr Lok	4.10	706998-3X	707277X	707146X	707254X	43811-4	43811-7
1995-95 1/2 E-350 Motor Home - ABS - 70HD								
605690-1	Standard	4.10	706999-4X	707186X	707187X	706058X	36113-27	36113-28
605690-2	Powr Lok	4.10	706999-4X	707189X	707188X	707074X	36113-27	36113-28
605690-3	Standard	4.10	706999-4X	707186X	707187X	706058X	36113-27	36113-28
605690-4	Powr Lok	4.10	706999-4X	707189X	707188X	707074X	36113-27	36113-28
1995-95 1/2 E-350 SRW Cutaway, Wide Track - ABS - 70 2U								
605844-1	Standard	4.10	706998-3X	707276X	707216X	707252X	43811-4	43811-7
605844-2	Powr Lok	4.10	706998-3X	707277X	707146X	707254X	43811-4	43811-7
1995-95 1/2 E-350 Chassis - DRW - ABS - 70U								
605845-1	Standard	4.10	706998-3X	707276X	707216X	707252X	43811-4	43811-7
605845-2	Powr Lok	4.10	706998-3X	707277X	707146X	707254X	43811-4	43811-7
1996 E-350 Motor Home - ABS - 70HD								
605929-1	Standard	4.10	706999-4X	707186X	707187X	706058X	36113-27	36113-28
1996-97 E-350 Motor Home - ABS - 70HD								
605846-1	Standard	4.10	706999-4X	707186X	707187X	706058X	36113-27	36113-28
605846-2	Powr Lok	4.10	706999-4X	707189X	707188X	707074X	36113-27	36113-28
1996-97 E-350 Chassis - DRW - ABS - 70U								
605847-1	Standard	4.10	706998-3X	707276X	707216X	707252X	43811-4	43811-7
605847-2	Powr Lok	4.10	706998-3X	707277X	707146X	707254X	43811-4	43811-7
1996-97 E-350 Motor Home - ABS - 70HD								
605848-1	Standard	4.10	706999-4X	707186X	707187X	706058X	36113-27	36113-28
605848-2	Powr Lok	4.10	706999-4X	707189X	707188X	707074X	36113-27	36113-28

⁶ See Ring Gear & Pinion Kits in XGI Catalog for ratio & tooth combinations.

⁷ See Differential Case Assy Kits in XGI Catalog for spline data & ratios.

MODEL 70 REAR AXLES FOR FORD

BILL OF MATERIAL TABLE

AXLE			AXLE KITS				SHAFT & JOINT ASSY.	
BILL OF MATERIAL	DIFF. TYPE	RATIO	RING GEAR & PINION KIT ⁶	DIFFERENTIAL			RIGHT HAND SHAFT ASSY.	LEFT HAND SHAFT ASSY.
				CASE ASSY. KIT ⁷	CASE KIT	INNER PARTS KIT		
1996-97 E-350 Chassis - DRW - ABS - 70U								
605860-1	Standard	3.73	706998-2X	707276X	707216X	707252X	43811-4	43811-7
605861-1	Standard	3.73	706998-2X	707276X	707216X	707252X	43811-4	43811-7
605862-1	Standard	4.10	706999-4X	707186X	707187X	706058X	36113-27	36113-28
1997 E-350 SRW Cutaway, Wide Track - ABS - 70 2U								
605950-1	Standard	4.10	707407-1X	707276-1X	707216-1X	707252X	43811-4	43811-7
605950-2	Powr Lok	4.10	707407-1X	707277-1X	707146-1X	707254X	43811-4	43811-7
1997 E-350 Chassis - DRW - ABS - 70U								
605951-1	Standard	4.10	707407-1X	707276-1X	707216X	707252X	43811-4	43811-7
605951-2	Powr Lok	4.10	707407-1X	707277-1X	707146-1X	707254X	43811-4	43811-7
1997 1/2-98 1/2 E-350 Chassis - DRW - ABS								
606028-1	Standard	4.10	707482-1X	707483X	707484X	706058X	36113-27	36113-28
606028-2	Standard	4.56	707482-2X	707483X	707484X	706058X	36113-27	36113-28
1998 E350 Chassis - DRW - ABS								
606160-1	Standard	4.10	707482-1X	707483X	707484X	706058X	36113-27	36113-28
1998-98 1/2 E-350 SRW Cutaway, Wide Track - ABS - 70U								
606020-1	Standard	4.10	707407-1X	707276-1X	707216-1X	707252X	43811-4	43811-7
606020-2	Powr Lok	4.10	707407-1X	707277-1X	707146-1X	707254X	43811-4	43811-7
1998-98 1/2 E-350 Chassis - DRW - ABS - 70U								
606021-1	Standard	4.10	707407-1X	707276-1X	707216-1X	707252X	43811-4	43811-7
606021-2	Powr Lok	4.10	707407-1X	707277-1X	707146-1X	707254X	43811-4	43811-7
1998 1/2 E-350 DRW Chassis - Full Float - ABS								
606159-1	Standard	4.10	707407-1X	707276-1X	707216-1X	707252X	43811-4	43811-7
606159-2	Powr Lok	4.10	707407-1X	707277-1X	707146-1X	707254X	43811-4	43811-7
1998 1/2-99 E-350 Cutaway SRW or Chassis DRW Option - ABS								
606158-1	Standard	4.10	707407-1X	707276X	707216X	707252X	43811-4	43811-7
606158-2	Powr Lok	4.10	707407-1X	707277-1X	707146-1X	707254X	43811-4	43811-7

⁶ See Ring Gear & Pinion Kits in XGI Catalog for ratio & tooth combinations.

⁷ See Differential Case Assy Kits in XGI Catalog for spline data & ratios.

MODEL 70 REAR AXLES FOR FORD

BILL OF MATERIAL TABLE

AXLE			AXLE KITS				SHAFT & JOINT ASSY.	
BILL OF MATERIAL	DIFF. TYPE	RATIO	RING GEAR & PINION KIT ⁶	DIFFERENTIAL			RIGHT HAND SHAFT ASSY.	LEFT HAND SHAFT ASSY.
				CASE ASSY. KIT ⁷	CASE KIT	INNER PARTS KIT		
1999 E-350 Cutaway SRW or Chassis DRW Option								
606026-1	Standard	4.10	707407-1X	707276-1X	707216-1X	707252X	43811-4	43811-7
606026-2	Powr Lok	4.10	707407-1X	707277-1X	707146-1X	707254X	43811-4	43811-7
1999-2000 1/2 E-350 Chassis - ABS - DRW								
606145-1	Standard	4.10	707482-1X	707483X	707484X	706058X	36113-27	36113-28
606145-2	Standard	4.56	707482-2X	707483X	707484X	706058X	36113-27	36113-28
1999 1/2 E-350 Cutaway SRW or Chassis DRW Option - ABS								
606189-1	Standard	4.10	707407-1X	707276-1X	707216-1X	707252X	43811-4	43811-7
606189-2	Powr Lok	4.10	707407-1X	707277-1X	707146-1X	707254X	43811-4	43811-7
2000 E-450 Super Duty DRW - ABS								
606207-1	Standard	4.10	708074-1	708075-1	708076-1	708077	46930-3	46930-4
606207-3	Standard	4.56	708074-2	708075-1	708076-1	708077	46930-3	46930-4
606207-5	Standard	4.10	708074-3	708075-1	708076-1	708077	46930-3	46930-4
606207-7	Standard	4.56	708074-4	708075-1	708076-1	708077	46930-3	46930-4
2000 E-350 Cutaway SRW or Chassis DRW Option - ABS								
606231-1	Standard	4.10	707407-1X	707276-1X	707216-1X	707252X	43811-4	43811-7
606231-2	Powr Lok	4.10	707407-1X	707277-1X	707146-1X	707254X	43811-4	43811-7
606320-1	Standard	4.10	707407-1X	707276-1X	707216-1X	707252X	43811-4	43811-7
606320-2	Powr Lok	4.10	707407-1X	707277-1X	707146-1X	707254X	43811-4	43811-7
2000 1/2 E-350 Chassis HD DRW - ABS								
606319-1	Standard	4.10	707482-1X	707483X	707484X	706058X	36113-27	36113-28
606319-2	Standard	4.56	707482-2X	707483X	707484X	706058X	36113-27	36113-28
2000 1/2 E-350 Cutaway SRW or Chassis DRW Option - ABS								
606523-1	Standard	4.10	707407-1X	707276-1X	707216-1X	707252X	43811-4	43811-7
606523-2	Powr Lok	4.10	707407-1X	707277-1X	707146-1X	707254X	43811-4	43811-7
2001 E-350 DSO - ABS								
606592-1	Standard	4.10	708074-1	707483X	707484X	706058X	36113-27	36113-28
606592-2	Standard	4.56	708074-2	707483X	707484X	706058X	36113-27	36113-28
2001 E350 Chassis - DRW - ABS								
606605-1	Standard	4.10	708126-1	707276-1X	707216-1X	707252X	43811-4	43811-7
606605-2	Powr Lok	4.10	708126-1	707277-1X	707146-1X	707254X	43811-4	43811-7

⁶ See Ring Gear & Pinion Kits in XGI Catalog for ratio & tooth combinations.

⁷ See Differential Case Assy Kits in XGI Catalog for spline data & ratios.

MODEL 70 REAR AXLES FOR FORD

BILL OF MATERIAL TABLE

AXLE			AXLE KITS				SHAFT & JOINT ASSY.	
BILL OF MATERIAL	DIFF. TYPE	RATIO	RING GEAR & PINION KIT ⁶	DIFFERENTIAL			RIGHT HAND SHAFT ASSY.	LEFT HAND SHAFT ASSY.
				CASE ASSY. KIT ⁷	CASE KIT	INNER PARTS KIT		
2001 E-450 Super Duty DRW ABS								
606606-1	Standard	4.10	708127-1	708075-1	708076-1	708077	46930-3	46930-4
606606-2	Trac Lok	4.10	708127-1	708080-1	708081-1	708051	46930-3	46930-4
606606-3	Standard	4.56	708127-2	708075-1	708076-1	708077	46930-3	46930-4
606606-4	Trac Lok	4.56	708127-2	708080-1	708081-1	708051	46930-3	46930-4
2002 E-450 Super Duty DRW ABS								
606540-1	Standard	4.10	708074-1	708075-1	708076-1	708077	46930-3	46930-4
606540-2	Trac Lok	4.10	708074-1	708080-1	708081-1	708051	46930-3	46930-4
606540-3	Standard	4.56	708074-2	708075-1	708076-1	708077	46930-3	46930-4
606540-4	Trac Lok	4.56	708074-2	708080-1	708081-1	708051	46930-3	46930-4

⁶ See Ring Gear & Pinion Kits in XGI Catalog for ratio & tooth combinations.

⁷ See Differential Case Assy Kits in XGI Catalog for spline data & ratios.

MODEL 70 REAR AXLES FOR FORD VARIABLE PARTS TABLE

Kits & Parts - Use With All Applications							
Description & Item Number (Refer to "Exploded View" on page 138)			Bills of Material				
			603909	603934	603935	603936	603937
1	Inner Pinion Bearing Kit	3	706060X	706060X	706060X	706060X	706060X
2	KIT – Pinion Brg Adj Shim	-	706357X	706357X	706357X	706357X	706357X
3	Baffle – Pinion Bearing	5	34849	—	—	—	—
4	KIT – Diff & Pinion Adj Shim	-	706213X	706213X	706213X	706213X	706213X
5	Seal – Pinion	9	42449	42449	42449	42449	42449
6	End Yoke or Assembly (inc 11)	10	3-4-5731X	2-4-5311X	3-4-5731X	3-4-5731X	2-4-5311X
7	Slinger – End Yoke	11	34592	34592	34592	34592	34592
8	Companion Flange Assembly	14	—	—	—	—	—
9	KIT – Carrier Cover	-	706059X	707104X	707104X	707104X	707104X
10	Cover – Carrier	15	34055	42815-2	42815-2	42815-2	42815-2
11	Plug – Carrier Cover	17	36472	43180	43180	43180	43180
12	Bolt – Carrier Cover (qty 10)	18	34822	34822	34822	34822	34822
13	Differential Bearing Kit	21	706070X	706047X	706047X	706047X	706047X
14	KIT – Diff Brg Adj Shim (inc 16)	22	706378X	706378X	706378X	706378X	706378X
15	Bolt – Drive Gear (qty 12)	24	30266	30266	30266	30266	30266
16	Gear – Differential (std)	26	35079	35079	35079	35079	35079
17	Shaft – Differential (std)	29	46640	46640	46640	46640	46640
18	Spacer – Diff Bearing	30	—	—	—	—	—
19	Tone Ring (ABS)	31	—	—	—	—	—
20	Seal – Hub	34	46004	46004	46004	46004	46004
21	Inner Wheel Bearing Kit	35	—	—	—	—	—
22	Outer Wheel Bearing Kit	36	—	—	—	—	—
23	Spindle Nut / Wheel Brg.Ret.	38	—	—	—	—	—
24	Wheel Brg. Ret. (Left Hand)	-	—	—	—	—	—
25	Wedge – Locking	39	—	—	—	—	—
26	Gear – Differential (p/l)	48	35294	35294	35294	—	35294
27	Lockwasher	51	36526	36526	36526	36526	36526
28	Screw – Flange Head	52	39694	39694	39694	39694	39694
29	Gear – Differential (t/l)	53	—	—	—	—	—
30	Pinion – Differential (t/l)	54	—	—	—	—	—
31	Thrustwasher – Pinion (t/l)	55	—	—	—	—	—
32	Shaft – Differential (t/l)	56	—	—	—	—	—

(See next page for additional bills of material)

MODEL 70 REAR AXLES FOR FORD VARIABLE PARTS TABLE

Kits & Parts - Use With All Applications							
Description & Item Number (Refer to "Exploded View" on page 138)			Bills of Material				
			603938	603940	603949	603962	605038
1	Inner Pinion Bearing Kit	3	706060X	706060X	706060X	706060X	706060X
2	KIT – Pinion Brg Adj Shim	-	706357X	706357X	706357X	706357X	706357X
3	Baffle – Pinion Bearing	5	—	—	—	—	—
4	KIT – Diff & Pinion Adj Shim	-	706213X	706213X	706213X	706213X	706213X
5	Seal – Pinion	9	42449	42449	42449	42449	42449
6	End Yoke or Assembly (inc 11)	10	2-4-5311X	3-4-5731X	2-4-5311X	2-4-5311X	2-4-8051X
7	Slinger – End Yoke	11	34592	34592	34592	34592	41195
8	Companion Flange Assembly	14	—	—	—	—	—
9	KIT – Carrier Cover	-	707104X	707104X	707104X	707104X	707104X
10	Cover – Carrier	15	42815-2	42815-2	42815-2	42815-2	42815-2
11	Plug – Carrier Cover	17	43180	43180	43180	43180	43180
12	Bolt – Carrier Cover (qty 10)	18	34822	34822	34822	34822	34822
13	Differential Bearing Kit	21	706047X	706070X	706070X	706047X	706047X
14	KIT – Diff Brg Adj Shim (inc 16)	22	706378X	706378X	706378X	706378X	706378X
15	Bolt – Drive Gear (qty 12)	24	30266	30266	30266	30266	30266
16	Gear – Differential (std)	26	35079	35079	35079	35079	35079
17	Shaft – Differential (std)	29	46640	46640	46640	46640	46640
18	Spacer – Diff Bearing	30	—	—	—	—	—
19	Tone Ring (ABS)	31	—	—	—	—	—
20	Seal – Hub	34	46004	46004	46004	46004	46004
21	Inner Wheel Bearing Kit	35	—	—	—	—	706179X
22	Outer Wheel Bearing Kit	36	—	—	—	—	706074X
23	Spindle Nut / Wheel Brg.Ret.	38	—	—	—	—	39695
24	Wheel Brg. Ret. (Left Hand)	-	—	—	—	—	—
25	Wedge – Locking	39	—	—	—	—	41373
26	Gear – Differential (p/l)	48	35294	35294	35294	35294	35294
27	Lockwasher	51	36526	36526	36526	36526	36526
28	Screw – Flange Head	52	39694	39694	39694	39694	39694
29	Gear – Differential (t/l)	53	—	—	—	—	—
30	Pinion – Differential (t/l)	54	—	—	—	—	—
31	Thrustwasher – Pinion (t/l)	55	—	—	—	—	—
32	Shaft – Differential (t/l)	56	—	—	—	—	—

(See next page for additional bills of material)

MODEL 70 REAR AXLES FOR FORD VARIABLE PARTS TABLE

Kits & Parts - Use With All Applications							
Description & Item Number (Refer to "Exploded View" on page 138)			Bills of Material				
			605042	605044	605045	605053	605054
1	Inner Pinion Bearing Kit	3	706060X	706060X	706060X	706060X	706060X
2	KIT – Pinion Brg Adj Shim	-	706357X	706357X	706357X	706357X	706357X
3	Baffle – Pinion Bearing	5	—	—	—	—	—
4	KIT – Diff & Pinion Adj Shim	-	706213X	706213X	706213X	706213X	706213X
5	Seal – Pinion	9	42449	42449	42449	42449	42449
6	End Yoke or Assembly (inc 11)	10	2-4-5311X	2-4-5311X	2-4-5311X	2-4-8051X	3-4-5731X
7	Slinger – End Yoke	11	34592	34592	34592	41195	34592
8	Companion Flange Assembly	14	—	—	—	—	—
9	KIT – Carrier Cover	-	707104X	707104X	707104X	707104X	707104X
10	Cover – Carrier	15	42815-2	42815-2	42815-2	42815-2	42815-2
11	Plug – Carrier Cover	17	43180	43180	43180	43180	43180
12	Bolt – Carrier Cover (qty 10)	18	34822	34822	34822	34822	34822
13	Differential Bearing Kit	21	706047X	706070X	706070X	706070X	706047X
14	KIT – Diff Brg Adj Shim (inc 16)	22	706378X	706378X	706378X	706378X	706378X
15	Bolt – Drive Gear (qty 12)	24	30266	30266	30266	30266	30266
16	Gear – Differential (std)	26	35079	35079	35079	35079	35079
17	Shaft – Differential (std)	29	46640	46640	46640	46640	46640
18	Spacer – Diff Bearing	30	—	—	—	—	—
19	Tone Ring (ABS)	31	—	—	—	—	—
20	Seal – Hub	34	46004	46004	46004	46004	46004
21	Inner Wheel Bearing Kit	35	706179X	706179X	706179X	706179X	706179X
22	Outer Wheel Bearing Kit	36	706074X	706074X	706074X	706074X	706074X
23	Spindle Nut / Wheel Brg.Ret.	38	39695	39695	39695	39695	39695
24	Wheel Brg. Ret. (Left Hand)	-	—	—	—	—	—
25	Wedge – Locking	39	41373	41373	41373	41373	41373
26	Gear – Differential (p/l)	48	35294	35294	35294	35294	—
27	Lockwasher	51	36526	36526	36526	36526	36526
28	Screw – Flange Head	52	39694	39694	39694	39694	39694
29	Gear – Differential (t/l)	53	—	—	—	—	—
30	Pinion – Differential (t/l)	54	—	—	—	—	—
31	Thrustwasher – Pinion (t/l)	55	—	—	—	—	—
32	Shaft – Differential (t/l)	56	—	—	—	—	—

(See next page for additional bills of material)

MODEL 70 REAR AXLES FOR FORD VARIABLE PARTS TABLE

Kits & Parts - Use With All Applications							
Description & Item Number (Refer to "Exploded View" on page 138)			Bills of Material				
			605055	605057	605080	605101	605114
1	Inner Pinion Bearing Kit	3	706060X	706060X	706060X	706060X	706861X
2	KIT – Pinion Brg Adj Shim	-	706357X	706357X	706357X	706357X	706359X
3	Baffle – Pinion Bearing	5	—	—	—	—	—
4	KIT – Diff & Pinion Adj Shim	-	706213X	706213X	706213X	706213X	708020
5	Seal – Pinion	9	42449	42449	42449	42449	42449
6	End Yoke or Assembly (inc 11)	10	2-4-5311X	2-4-5311X	2-4-5311X	2-4-5311X	2-4-8051X
7	Slinger – End Yoke	11	34592	34592	34592	34592	41195
8	Companion Flange Assembly	14	—	—	—	—	—
9	KIT – Carrier Cover	-	707104X	707104X	707104X	707105X	707104X
10	Cover – Carrier	15	42815-2	42815-2	42815-2	42815-2	42815-2
11	Plug – Carrier Cover	17	43180	43180	43180	43181	43180
12	Bolt – Carrier Cover (qty 10)	18	34822	34822	34822	34822	34822
13	Differential Bearing Kit	21	706070X	706047X	706047X	706070X	706047X
14	KIT – Diff Brg Adj Shim (inc 16)	22	706378X	706378X	706378X	706373X	706378X
15	Bolt – Drive Gear (qty 12)	24	30266	30266	30266	30266	30266
16	Gear – Differential (std)	26	35079	35079	35079	35079	35079
17	Shaft – Differential (std)	29	46640	46640	46640	46640	46640
18	Spacer – Diff Bearing	30	—	—	—	34848-28	—
19	Tone Ring (ABS)	31	—	—	—	—	—
20	Seal – Hub	34	46004	46004	46004	46004	46004
21	Inner Wheel Bearing Kit	35	706179X	706179X	706179X	706179X	706179X
22	Outer Wheel Bearing Kit	36	706074X	706074X	706074X	706074X	706074X
23	Spindle Nut / Wheel Brg.Ret.	38	39695	39695	39695	39695	39695
24	Wheel Brg. Ret. (Left Hand)	-	—	—	—	—	—
25	Wedge – Locking	39	41373	41373	41373	41373	41373
26	Gear – Differential (p/l)	48	35294	35294	—	35294	35294
27	Lockwasher	51	36526	36526	36526	36526	36526
28	Screw – Flange Head	52	39694	39694	39694	39694	39694
29	Gear – Differential (t/l)	53	—	—	—	—	—
30	Pinion – Differential (t/l)	54	—	—	—	—	—
31	Thrustwasher – Pinion (t/l)	55	—	—	—	—	—
32	Shaft – Differential (t/l)	56	—	—	—	—	—

(See next page for additional bills of material)

MODEL 70 REAR AXLES FOR FORD VARIABLE PARTS TABLE

Kits & Parts - Use With All Applications							
Description & Item Number (Refer to "Exploded View" on page 138)			Bills of Material				
			605115	605118	605138	605139	605143
1	Inner Pinion Bearing Kit	3	706861X	706060X	706060X	706060X	706060X
2	KIT – Pinion Brg Adj Shim	-	706359X	706357X	706357X	706357X	706357X
3	Baffle – Pinion Bearing	5	—	—	—	—	—
4	KIT – Diff & Pinion Adj Shim	-	708020	706213X	706213X	706213X	706213X
5	Seal – Pinion	9	42449	42449	42449	42449	42449
6	End Yoke or Assembly (inc 11)	10	2-4-5311X	2-4-5311X	2-4-5311X	2-4-5311X	2-4-5311X
7	Slinger – End Yoke	11	34592	34592	34592	34592	34592
8	Companion Flange Assembly	14	—	—	—	—	—
9	KIT – Carrier Cover	-	707104X	707104X	707104X	707104X	707104X
10	Cover – Carrier	15	42815-2	42815-2	42815-2	42815-2	42815-2
11	Plug – Carrier Cover	17	43180	43180	43180	43180	43180
12	Bolt – Carrier Cover (qty 10)	18	34822	34822	34822	34822	34822
13	Differential Bearing Kit	21	706047X	706070X	706070X	706047X	706047X
14	KIT – Diff Brg Adj Shim (inc 16)	22	706378X	706378X	706378X	706378X	706378X
15	Bolt – Drive Gear (qty 12)	24	30266	30266	30266	30266	30266
16	Gear – Differential (std)	26	35079	35079	35079	35079	35079
17	Shaft – Differential (std)	29	46640	46640	46640	46640	46640
18	Spacer – Diff Bearing	30	—	—	—	—	—
19	Tone Ring (ABS)	31	—	—	—	—	—
20	Seal – Hub	34	46004	46004	46004	46004	46004
21	Inner Wheel Bearing Kit	35	706179X	706179X	706179X	706179X	706179X
22	Outer Wheel Bearing Kit	36	706074X	706074X	706074X	706074X	706074X
23	Spindle Nut / Wheel Brg.Ret.	38	39695	39695	39695	39695	39695
24	Wheel Brg. Ret. (Left Hand)	-	—	—	—	—	—
25	Wedge – Locking	39	41373	41373	41373	41373	41373
26	Gear – Differential (p/l)	48	35294	35294	35294	—	—
27	Lockwasher	51	36526	36526	36526	36526	36526
28	Screw – Flange Head	52	39694	39694	39694	39694	39694
29	Gear – Differential (t/l)	53	—	—	—	—	—
30	Pinion – Differential (t/l)	54	—	—	—	—	—
31	Thrustwasher – Pinion (t/l)	55	—	—	—	—	—
32	Shaft – Differential (t/l)	56	—	—	—	—	—

(See next page for additional bills of material)

MODEL 70 REAR AXLES FOR FORD VARIABLE PARTS TABLE

Kits & Parts - Use With All Applications							
Description & Item Number (Refer to "Exploded View" on page 138)			Bills of Material				
			605170	605175	605176	605204	605205
1	Inner Pinion Bearing Kit	3	706060X	706861X	706060X	706861X	706861X
2	KIT – Pinion Brg Adj Shim	-	706357X	706359X	706357X	706359X	706359X
3	Baffle – Pinion Bearing	5	—	—	—	—	—
4	KIT – Diff & Pinion Adj Shim	-	706213X	708020	706213X	708020	708020
5	Seal – Pinion	9	42449	42449	42449	42449	42449
6	End Yoke or Assembly (inc 11)	10	2-4-8051X	2-4-8051X	2-4-8051X	2-4-8051X	2-4-8051X
7	Slinger – End Yoke	11	41195	41195	41195	41195	41195
8	Companion Flange Assembly	14	—	—	—	—	—
9	KIT – Carrier Cover	-	707104X	707104X	707104X	707104X	707104X
10	Cover – Carrier	15	42815-2	42815-2	42815-2	42815-2	42815-2
11	Plug – Carrier Cover	17	43180	43180	43180	43180	43180
12	Bolt – Carrier Cover (qty 10)	18	34822	34822	34822	34822	34822
13	Differential Bearing Kit	21	706070X	706047X	706070X	706047X	706047X
14	KIT – Diff Brg Adj Shim (inc 16)	22	706378X	706378X	706378X	706378X	706378X
15	Bolt – Drive Gear (qty 12)	24	30266	30266	30266	30266	30266
16	Gear – Differential (std)	26	35079	35079	35079	35079	35079
17	Shaft – Differential (std)	29	46640	46640	46640	46640	46640
18	Spacer – Diff Bearing	30	—	—	—	—	—
19	Tone Ring (ABS)	31	—	—	—	—	—
20	Seal – Hub	34	46004	46004	46004	46004	46004
21	Inner Wheel Bearing Kit	35	706179X	706179X	706179X	706179X	706179X
22	Outer Wheel Bearing Kit	36	706074X	706074X	706074X	706074X	706074X
23	Spindle Nut / Wheel Brg.Ret.	38	39695	39695	39695	39695	39695
24	Wheel Brg. Ret. (Left Hand)	-	—	—	—	—	—
25	Wedge – Locking	39	41373	41373	41373	41373	41373
26	Gear – Differential (p/l)	48	35294	35294	35294	35294	35294
27	Lockwasher	51	36526	36526	36526	36526	36526
28	Screw – Flange Head	52	39694	39694	39694	39694	39694
29	Gear – Differential (t/l)	53	—	—	—	—	—
30	Pinion – Differential (t/l)	54	—	—	—	—	—
31	Thrustwasher – Pinion (t/l)	55	—	—	—	—	—
32	Shaft – Differential (t/l)	56	—	—	—	—	—

(See next page for additional bills of material)

MODEL 70 REAR AXLES FOR FORD VARIABLE PARTS TABLE

Kits & Parts - Use With All Applications							
Description & Item Number (Refer to "Exploded View" on page 138)			Bills of Material				
			605206	605207	605208	605213	605246
1	Inner Pinion Bearing Kit	3	706861X	706060X	706861X	706861X	706861X
2	KIT – Pinion Brg Adj Shim	-	706357X	706357X	706359X	706359X	706359X
3	Baffle – Pinion Bearing	5	—	41550	—	—	—
4	KIT – Diff & Pinion Adj Shim	-	708020	706213X	708020	708020	708020
5	Seal – Pinion	9	42449	42449	42449	42449	42449
6	End Yoke or Assembly (inc 11)	10	3-4-5731X	2-4-8051X	2-4-8051X	2-4-8051X	2-4-8051X
7	Slinger – End Yoke	11	41195	41195	41195	41195	41195
8	Companion Flange Assembly	14	—	—	—	—	—
9	KIT – Carrier Cover	-	707104X	707105X	707104X	707104X	707104X
10	Cover – Carrier	15	42815-2	42815-2	42815-2	42815-2	42815-2
11	Plug – Carrier Cover	17	43180	43181	43180	43180	43180
12	Bolt – Carrier Cover (qty 10)	18	34822	34822	34822	34822	34822
13	Differential Bearing Kit	21	706047X	706070X	706047X	706047X	706047X
14	KIT – Diff Brg Adj Shim (inc 16)	22	706378X	706373X	706378X	706378X	706378X
15	Bolt – Drive Gear (qty 12)	24	40638	30266	30266	30266	40638
16	Gear – Differential (std)	26	35079	35079	35079	35079	35079
17	Shaft – Differential (std)	29	46640	46640	46640	46640	46640
18	Spacer – Diff Bearing	30	—	34848-28	—	—	—
19	Tone Ring (ABS)	31	—	—	—	—	—
20	Seal – Hub	34	46004	46004	46004	46004	46004
21	Inner Wheel Bearing Kit	35	706179X	706179X	706179X	706179X	706179X
22	Outer Wheel Bearing Kit	36	706074X	706074X	706074X	706074X	706074X
23	Spindle Nut / Wheel Brg.Ret.	38	39695	39695	39695	39695	39695
24	Wheel Brg. Ret. (Left Hand)	-	—	—	—	—	—
25	Wedge – Locking	39	41373	41373	41373	41373	41373
26	Gear – Differential (p/l)	48	—	35294	35294	35294	35294
27	Lockwasher	51	36526	36526	36526	36526	36526
28	Screw – Flange Head	52	39694	39694	39694	39694	39694
29	Gear – Differential (t/l)	53	—	—	—	—	—
30	Pinion – Differential (t/l)	54	—	—	—	—	—
31	Thrustwasher – Pinion (t/l)	55	—	—	—	—	—
32	Shaft – Differential (t/l)	56	—	—	—	—	—

(See next page for additional bills of material)

MODEL 70 REAR AXLES FOR FORD VARIABLE PARTS TABLE

Kits & Parts - Use With All Applications							
Description & Item Number (Refer to "Exploded View" on page 138)			Bills of Material				
			605247	605248	605249	605250	605253
1	Inner Pinion Bearing Kit	3	706861X	706861X	706060X	706060X	706861X
2	KIT – Pinion Brg Adj Shim	-	706359X	706359X	706357X	706357X	706359X
3	Baffle – Pinion Bearing	5	—	—	—	—	—
4	KIT – Diff & Pinion Adj Shim	-	708020	708020	706213X	708020	708020
5	Seal – Pinion	9	42449	42449	42449	42449	42449
6	End Yoke or Assembly (inc 11)	10	2-4-8051X	2-4-8051X	2-4-8051X	2-4-8051X	2-4-8051X
7	Slinger – End Yoke	11	41195	41195	41195	41195	41195
8	Companion Flange Assembly	14	—	—	—	—	—
9	KIT – Carrier Cover	-	707104X	707104X	707104X	707104X	707104X
10	Cover – Carrier	15	42815-2	42815-2	42815-2	42815-2	42815-2
11	Plug – Carrier Cover	17	43180	43180	43180	43180	43180
12	Bolt – Carrier Cover (qty 10)	18	34822	34822	34822	34822	34822
13	Differential Bearing Kit	21	706047X	706047X	706070X	706070X	706047X
14	KIT – Diff Brg Adj Shim (inc 16)	22	706378X	706378X	706378X	706378X	706378X
15	Bolt – Drive Gear (qty 12)	24	40638	40638	40638	40638	30266
16	Gear – Differential (std)	26	35079	35079	35079	35079	35079
17	Shaft – Differential (std)	29	46640	46640	46640	46640	46640
18	Spacer – Diff Bearing	30	—	—	—	—	—
19	Tone Ring (ABS)	31	—	—	—	—	—
20	Seal – Hub	34	46004	46004	46004	46004	46004
21	Inner Wheel Bearing Kit	35	706179X	706179X	706179X	706179X	706179X
22	Outer Wheel Bearing Kit	36	706074X	706074X	706074X	706074X	706074X
23	Spindle Nut / Wheel Brg.Ret.	38	39695	39695	39695	39695	39695
24	Wheel Brg. Ret. (Left Hand)	-	—	—	—	—	—
25	Wedge – Locking	39	41373	41373	41373	41373	41373
26	Gear – Differential (p/l)	48	35294	35294	35294	35294	35294
27	Lockwasher	51	36526	36526	36526	36526	36526
28	Screw – Flange Head	52	39694	39694	39694	39694	39694
29	Gear – Differential (t/l)	53	—	—	—	—	—
30	Pinion – Differential (t/l)	54	—	—	—	—	—
31	Thrustwasher – Pinion (t/l)	55	—	—	—	—	—
32	Shaft – Differential (t/l)	56	—	—	—	—	—

(See next page for additional bills of material)

MODEL 70 REAR AXLES FOR FORD VARIABLE PARTS TABLE

Kits & Parts - Use With All Applications							
Description & Item Number (Refer to "Exploded View" on page 138)			Bills of Material				
			605255	605300	605337	605344	605352
1	Inner Pinion Bearing Kit	3	706060X	706861X	706060X	706060X	706861X
2	KIT – Pinion Brg Adj Shim	-	706357X	706359X	706357X	706357X	706359X
3	Baffle – Pinion Bearing	5	—	—	—	—	—
4	KIT – Diff & Pinion Adj Shim	-	706213X	708020	706213X	706213X	708020
5	Seal – Pinion	9	42449	42449	42449	42449	42449
6	End Yoke or Assembly (inc 11)	10	2-4-8051X	2-4-8051X	2-4-8051X	2-4-8051X	2-4-8051X
7	Slinger – End Yoke	11	41195	41195	41195	41195	41195
8	Companion Flange Assembly	14	—	—	—	—	—
9	KIT – Carrier Cover	-	707104X	707104X	707105X	707104X	707104X
10	Cover – Carrier	15	42815-2	42815-2	42815-2	42815-2	42815-2
11	Plug – Carrier Cover	17	43180	43180	43181	43180	43180
12	Bolt – Carrier Cover (qty 10)	18	34822	34822	34822	34822	34822
13	Differential Bearing Kit	21	706070X	706047X	706070X	706070X	706047X
14	KIT – Diff Brg Adj Shim (inc 16)	22	706378X	706378X	706373X	706378X	706378X
15	Bolt – Drive Gear (qty 12)	24	40638	30266	30266	30266	30266
16	Gear – Differential (std)	26	35079	35079	35079	35079	35079
17	Shaft – Differential (std)	29	46640	46640	46640	46640	46640
18	Spacer – Diff Bearing	30	—	—	34848-28	—	—
19	Tone Ring (ABS)	31	—	—	—	—	—
20	Seal – Hub	34	46004	46004	46004	46004	46004
21	Inner Wheel Bearing Kit	35	706179X	706179X	706179X	706179X	706179X
22	Outer Wheel Bearing Kit	36	706074X	706074X	706074X	706074X	706074X
23	Spindle Nut / Wheel Brg.Ret.	38	39695	43075	43075	43075	43075
24	Wheel Brg. Ret. (Left Hand)	-	—	43076	43076	43076	43076
25	Wedge – Locking	39	41373	—	—	—	—
26	Gear – Differential (p/l)	48	35294	35294	—	35294	—
27	Lockwasher	51	36526	36526	36526	36526	36526
28	Screw – Flange Head	52	39694	39694	39694	39694	39694
29	Gear – Differential (t/l)	53	—	—	—	—	—
30	Pinion – Differential (t/l)	54	—	—	—	—	—
31	Thrustwasher – Pinion (t/l)	55	—	—	—	—	—
32	Shaft – Differential (t/l)	56	—	—	—	—	—

(See next page for additional bills of material)

MODEL 70 REAR AXLES FOR FORD VARIABLE PARTS TABLE

Kits & Parts - Use With All Applications							
Description & Item Number (Refer to "Exploded View" on page 138)			Bills of Material				
			605412	605421	605437	605438	605471
1	Inner Pinion Bearing Kit	3	706861X	706861X	706861X	706060X	706060X
2	KIT – Pinion Brg Adj Shim	-	706359X	706359X	706359X	706357X	706357X
3	Baffle – Pinion Bearing	5	—	—	—	—	—
4	KIT – Diff & Pinion Adj Shim	-	708020	708020	708020	706213X	706213X
5	Seal – Pinion	9	42449	42449	42449	42449	42449
6	End Yoke or Assembly (inc 11)	10	2-4-8051X	2-4-8051X	2-4-8051X	2-4-8051X	2-4-8051X
7	Slinger – End Yoke	11	41195	41195	41195	41195	41195
8	Companion Flange Assembly	14	—	—	—	—	—
9	KIT – Carrier Cover	-	707104X	707105X	707104X	707104X	707105X
10	Cover – Carrier	15	42815-2	42815-2	42815-2	42815-2	42815-2
11	Plug – Carrier Cover	17	43180	43181	43180	43180	43181
12	Bolt – Carrier Cover (qty 10)	18	34822	34822	34822	34822	34822
13	Differential Bearing Kit	21	706047X	706047X	706047X	706070X	706070X
14	KIT – Diff Brg Adj Shim (inc 16)	22	706378X	706378X	706378X	706373X	706373X
15	Bolt – Drive Gear (qty 12)	24	30266	30266	30266	30266	30266
16	Gear – Differential (std)	26	35079	35079	35079	35079	35079
17	Shaft – Differential (std)	29	46640	46640	46640	46640	46640
18	Spacer – Diff Bearing	30	42563	42563	42563	34848-28	34848-28
19	Tone Ring (ABS)	31	—	42929	—	—	42929
20	Seal – Hub	34	46004	46004	46004	46004	46004
21	Inner Wheel Bearing Kit	35	706179X	706179X	706179X	706179X	706179X
22	Outer Wheel Bearing Kit	36	706074X	706074X	706074X	706074X	706074X
23	Spindle Nut / Wheel Brg.Ret.	38	43075	43075	43075	43075	43075
24	Wheel Brg. Ret. (Left Hand)	-	43076	—	43076	43076	—
25	Wedge – Locking	39	—	—	—	—	—
26	Gear – Differential (p/l)	48	35294	35294	—	35294	35294
27	Lockwasher	51	36526	36526	36526	36526	36526
28	Screw – Flange Head	52	39694	39694	39694	39694	39694
29	Gear – Differential (t/l)	53	—	—	—	—	—
30	Pinion – Differential (t/l)	54	—	—	—	—	—
31	Thrustwasher – Pinion (t/l)	55	—	—	—	—	—
32	Shaft – Differential (t/l)	56	—	—	—	—	—

(See next page for additional bills of material)

MODEL 70 REAR AXLES FOR FORD VARIABLE PARTS TABLE

Kits & Parts - Use With All Applications							
Description & Item Number (Refer to "Exploded View" on page 138)			Bills of Material				
			605480	605488	605501	605518	605537
1	Inner Pinion Bearing Kit	3	706060X	706861X	706861X	706861X	706861X
2	KIT – Pinion Brg Adj Shim	-	706357X	706359X	706359X	706359X	706359X
3	Baffle – Pinion Bearing	5	—	—	—	—	—
4	KIT – Diff & Pinion Adj Shim	-	706213X	708020	708020	708020	708020
5	Seal – Pinion	9	42449	42449	42449	42449	42449
6	End Yoke or Assembly (inc 11)	10	2-4-8051X	2-4-8051X	2-4-8051X	2-4-8051X	2-4-8051X
7	Slinger – End Yoke	11	41195	41195	41195	41159	41195
8	Companion Flange Assembly	14	—	—	—	—	—
9	KIT – Carrier Cover	-	707104X	707105X	707105X	707105X	707105X
10	Cover – Carrier	15	42815-2	42815-2	42815-2	42815-2	42815-2
11	Plug – Carrier Cover	17	43180	43181	43181	43181	43181
12	Bolt – Carrier Cover (qty 10)	18	34822	34822	34822	34822	34822
13	Differential Bearing Kit	21	706070X	706047X	706047X	706047X	706047X
14	KIT – Diff Brg Adj Shim (inc 16)	22	706373X	706378X	706378X	706378X	706378X
15	Bolt – Drive Gear (qty 12)	24	30266	30266	30266	30266	30266
16	Gear – Differential (std)	26	35079	35079	35079	35079	35079
17	Shaft – Differential (std)	29	46640	46640	46640	46640	46640
18	Spacer – Diff Bearing	30	34848-28	42563	42563	42563	42563
19	Tone Ring (ABS)	31	42929	42929	42929	42929	42929
20	Seal – Hub	34	46004	46004	46004	46004	46004
21	Inner Wheel Bearing Kit	35	706179X	706179X	706179X	706179X	706179X
22	Outer Wheel Bearing Kit	36	706074X	706074X	706074X	706074X	706074X
23	Spindle Nut / Wheel Brg.Ret.	38	43075	43075	43075	43075	43075
24	Wheel Brg. Ret. (Left Hand)	-	—	—	—	—	—
25	Wedge – Locking	39	—	—	—	—	—
26	Gear – Differential (p/l)	48	—	35294	—	—	—
27	Lockwasher	51	36526	36526	36526	36526	36526
28	Screw – Flange Head	52	39694	39694	39694	39694	39694
29	Gear – Differential (t/l)	53	—	—	—	—	—
30	Pinion – Differential (t/l)	54	—	—	—	—	—
31	Thrustwasher – Pinion (t/l)	55	—	—	—	—	—
32	Shaft – Differential (t/l)	56	—	—	—	—	—

(See next page for additional bills of material)

MODEL 70 REAR AXLES FOR FORD VARIABLE PARTS TABLE

Kits & Parts - Use With All Applications							
Description & Item Number (Refer to "Exploded View" on page 138)			Bills of Material				
			605538	605539	605540	605567	605578
1	Inner Pinion Bearing Kit	3	706060X	706060X	706861X	706861X	706861X
2	KIT – Pinion Brg Adj Shim	-	706357X	706357X	706359X	706359X	706359X
3	Baffle – Pinion Bearing	5	—	—	—	—	—
4	KIT – Diff & Pinion Adj Shim	-	706213X	706213X	708020	708020	708020
5	Seal – Pinion	9	42449	42449	42449	42449	42449
6	End Yoke or Assembly (inc 11)	10	2-4-8051X	2-4-8051X	2-4-8051X	2-4-8051X	2-4-8051X
7	Slinger – End Yoke	11	41195	41195	41195	41195	41195
8	Companion Flange Assembly	14	—	—	—	—	—
9	KIT – Carrier Cover	-	707105X	707105X	707105X	707105X	707105X
10	Cover – Carrier	15	42815-2	42815-2	42815-2	42815-2	42815-2
11	Plug – Carrier Cover	17	43181	43181	43181	43181	43181
12	Bolt – Carrier Cover (qty 10)	18	34822	34822	34822	34822	34822
13	Differential Bearing Kit	21	706070X	706070X	706047X	706047X	706047X
14	KIT – Diff Brg Adj Shim (inc 16)	22	706373X	706373X	706378X	706378X	706378X
15	Bolt – Drive Gear (qty 12)	24	30266	30266	30266	30266	30266
16	Gear – Differential (std)	26	35079	35079	35079	43913	43913
17	Shaft – Differential (std)	29	46640	46640	46640	46640	46640
18	Spacer – Diff Bearing	30	34848-28	34848-28	42563	42563	42563
19	Tone Ring (ABS)	31	42929	42929	42929	42929	42929
20	Seal – Hub	34	46004	46004	46004	46004	46004
21	Inner Wheel Bearing Kit	35	706179X	706179X	706179X	706179X	706179X
22	Outer Wheel Bearing Kit	36	706074X	706074X	706074X	706074X	706074X
23	Spindle Nut / Wheel Brg.Ret.	38	43075	43075	43075	43075	43075
24	Wheel Brg. Ret. (Left Hand)	-	—	—	—	—	—
25	Wedge – Locking	39	—	—	—	—	—
26	Gear – Differential (p/l)	48	35294	—	—	43914	43914
27	Lockwasher	51	36526	—	36526	36526	—
28	Screw – Flange Head	52	39694	45720	39694	39694	45720
29	Gear – Differential (t/l)	53	—	—	—	—	—
30	Pinion – Differential (t/l)	54	—	—	—	—	—
31	Thrustwasher – Pinion (t/l)	55	—	—	—	—	—
32	Shaft – Differential (t/l)	56	—	—	—	—	—

(See next page for additional bills of material)

MODEL 70 REAR AXLES FOR FORD VARIABLE PARTS TABLE

Kits & Parts - Use With All Applications							
Description & Item Number (Refer to "Exploded View" on page 138)			Bills of Material				
			605583	605584	605608	605609	605640
1	Inner Pinion Bearing Kit	3	706861X	706861X	706861X	706060X	706861X
2	KIT – Pinion Brg Adj Shim	-	706359X	706359X	706359X	706357X	706359X
3	Baffle – Pinion Bearing	5	—	—	—	—	—
4	KIT – Diff & Pinion Adj Shim	-	708020	708020	708020	706213X	708020
5	Seal – Pinion	9	42449	42449	42449	42449	42449
6	End Yoke or Assembly (inc 11)	10	2-4-8051X	2-4-8051X	3-4-13031-1X	3-4-13031-1X	2-4-8051X
7	Slinger – End Yoke	11	41195	41195	45799	45799	41195
8	Companion Flange Assembly	14	—	—	—	—	—
9	KIT – Carrier Cover	-	707105X	707105X	707105X	707105X	707105X
10	Cover – Carrier	15	42815-2	42815-2	42815-2	42815-2	42815-2
11	Plug – Carrier Cover	17	43181	43181	43181	43181	43181
12	Bolt – Carrier Cover (qty 10)	18	34822	34822	34822	34822	34822
13	Differential Bearing Kit	21	706047X	706047X	706047X	706070X	706047X
14	KIT – Diff Brg Adj Shim (inc 16)	22	706378X	706378X	706378X	706373X	706378X
15	Bolt – Drive Gear (qty 12)	24	30266	30266	30266	30266	30266
16	Gear – Differential (std)	26	43913	43913	43913	35079	43913
17	Shaft – Differential (std)	29	46640	46640	46640	46640	46640
18	Spacer – Diff Bearing	30	42563	42563	42563	34848-28	42563
19	Tone Ring (ABS)	31	42929	42929	42929	42929	42929
20	Seal – Hub	34	46004	46004	46004	46004	46004
21	Inner Wheel Bearing Kit	35	706179X	706179X	706179X	706179X	706179X
22	Outer Wheel Bearing Kit	36	706074X	706074X	706074X	706074X	706074X
23	Spindle Nut / Wheel Brg.Ret.	38	43075	43075	43075	43075	43075
24	Wheel Brg. Ret. (Left Hand)	-	—	—	—	—	—
25	Wedge – Locking	39	—	—	—	—	—
26	Gear – Differential (p/l)	48	—	—	43914	35294	—
27	Lockwasher	51	—	—	—	—	—
28	Screw – Flange Head	52	45720	45720	45720	45720	45720
29	Gear – Differential (t/l)	53	—	—	—	—	—
30	Pinion – Differential (t/l)	54	—	—	—	—	—
31	Thrustwasher – Pinion (t/l)	55	—	—	—	—	—
32	Shaft – Differential (t/l)	56	—	—	—	—	—

(See next page for additional bills of material)

MODEL 70 REAR AXLES FOR FORD VARIABLE PARTS TABLE

Kits & Parts - Use With All Applications							
Description & Item Number (Refer to "Exploded View" on page 138)			Bills of Material				
			605665	605666	605667	605669	605671
1	Inner Pinion Bearing Kit	3	706060X	706060X	706060X	706861X	706861X
2	KIT – Pinion Brg Adj Shim	-	706357X	706357X	706357X	706359X	706359X
3	Baffle – Pinion Bearing	5	—	—	—	—	—
4	KIT – Diff & Pinion Adj Shim	-	706213X	706213X	706213X	708020	708020
5	Seal – Pinion	9	42449	42449	42449	42449	42449
6	End Yoke or Assembly (inc 11)	10	3-4-13031-1X	2-4-8051X	3-4-13031-2X	3-4-13031-1X	3-4-13031-2X
7	Slinger – End Yoke	11	45799	41195	45799	45799	45799
8	Companion Flange Assembly	14	—	—	—	—	—
9	KIT – Carrier Cover	-	707105X	707105X	707105X	707105X	707105X
10	Cover – Carrier	15	42815-2	42815-2	42815-2	42815-2	42815-2
11	Plug – Carrier Cover	17	43181	43181	43181	43181	43181
12	Bolt – Carrier Cover (qty 10)	18	34822	34822	34822	34822	34822
13	Differential Bearing Kit	21	706070X	706070X	706070X	706047X	706047X
14	KIT – Diff Brg Adj Shim (inc 16)	22	706373X	706373X	706373X	706378X	706378X
15	Bolt – Drive Gear (qty 12)	24	30266	30266	30266	30266	30266
16	Gear – Differential (std)	26	35079	35079	35079	43913	43913
17	Shaft – Differential (std)	29	46640	46640	46640	46640	46640
18	Spacer – Diff Bearing	30	34848-28	34848-28	34848-28	42563	42563
19	Tone Ring (ABS)	31	42929	42929	42929	42929	42929
20	Seal – Hub	34	46004	46004	46004	46004	46004
21	Inner Wheel Bearing Kit	35	706179X	706179X	706179X	706179X	706179X
22	Outer Wheel Bearing Kit	36	706074X	706074X	706074X	706074X	706074X
23	Spindle Nut / Wheel Brg.Ret.	38	43075	43075	43075	43075	43075
24	Wheel Brg. Ret. (Left Hand)	-	—	—	—	—	—
25	Wedge – Locking	39	—	—	—	—	—
26	Gear – Differential (p/l)	48	—	—	—	—	43914
27	Lockwasher	51	—	—	—	—	—
28	Screw – Flange Head	52	45720	45720	45720	45720	45720
29	Gear – Differential (t/l)	53	—	—	—	—	—
20	Pinion – Differential (t/l)	54	—	—	—	—	—
31	Thrustwasher – Pinion (t/l)	55	—	—	—	—	—
32	Shaft – Differential (t/l)	56	—	—	—	—	—

(See next page for additional bills of material)

MODEL 70 REAR AXLES FOR FORD VARIABLE PARTS TABLE

Kits & Parts - Use With All Applications							
Description & Item Number (Refer to "Exploded View" on page 138)			Bills of Material				
			605672	605673	605675	605686	605687
1	Inner Pinion Bearing Kit	3	706060X	706861X	706060X	706861X	706861X
2	KIT – Pinion Brg Adj Shim	-	706357X	706359X	706357X	706359X	706359X
3	Baffle – Pinion Bearing	5	—	—	—	—	—
4	KIT – Diff & Pinion Adj Shim	-	706213X	708020	706213X	708020	708020
5	Seal – Pinion	9	42449	42449	42449	42449	42449
6	End Yoke or Assembly (inc 11)	10	3-4-13031-2X	2-4-8051X	2-4-8051X	3-4-13031-2X	2-4-8051X
7	Slinger – End Yoke	11	45799	41195	41195	45799	41195
8	Companion Flange Assembly	14	—	—	—	—	—
9	KIT – Carrier Cover	-	707105X	707105X	707105X	707105X	707105X
10	Cover – Carrier	15	42815-2	42815-2	42815-2	42815-2	42815-2
11	Plug – Carrier Cover	17	43181	43181	43181	43181	43181
12	Bolt – Carrier Cover (qty 10)	18	34822	34822	34822	34822	34822
13	Differential Bearing Kit	21	706070X	706047X	706070X	706047X	706047X
14	KIT – Diff Brg Adj Shim (inc 16)	22	706373X	706378X	706373X	706378X	706378X
15	Bolt – Drive Gear (qty 12)	24	30266	30266	30266	40638	40638
16	Gear – Differential (std)	26	35079	43913	35079	43913	43913
17	Shaft – Differential (std)	29	46640	46640	46640	46640	46640
18	Spacer – Diff Bearing	30	34848-28	42563	34848-28	42563	42563
19	Tone Ring (ABS)	31	42929	42929	42929	42929	42929
20	Seal – Hub	34	46004	46004	46004	46004	46004
21	Inner Wheel Bearing Kit	35	706179X	706179X	706179X	706179X	706179X
22	Outer Wheel Bearing Kit	36	706074X	706074X	706074X	706074X	706074X
23	Spindle Nut / Wheel Brg.Ret.	38	43075	43075	43075	43075	43075
24	Wheel Brg. Ret. (Left Hand)	-	—	—	—	—	—
25	Wedge – Locking	39	—	—	—	—	—
26	Gear – Differential (p/l)	48	35294	43914	35294	43914	43914
27	Lockwasher	51	—	—	—	—	—
28	Screw – Flange Head	52	45720	45720	45720	45720	45720
29	Gear – Differential (t/l)	53	—	—	—	—	—
30	Pinion – Differential (t/l)	54	—	—	—	—	—
31	Thrustwasher – Pinion (t/l)	55	—	—	—	—	—
32	Shaft – Differential (t/l)	56	—	—	—	—	—

(See next page for additional bills of material)

MODEL 70 REAR AXLES FOR FORD VARIABLE PARTS TABLE

Kits & Parts - Use With All Applications							
Description & Item Number (Refer to "Exploded View" on page 138)			Bills of Material				
			605688	605689	605690	605692	605693
1	Inner Pinion Bearing Kit	3	706060X	706861X	706060X	706060X	706060X
2	KIT – Pinion Brg Adj Shim	-	706357X	706359X	706357X	706357X	706357X
3	Baffle – Pinion Bearing	5	—	—	—	—	—
4	KIT – Diff & Pinion Adj Shim	-	706213X	708020	706213X	706213X	706213X
5	Seal – Pinion	9	42449	42449	42449	42449	42449
6	End Yoke or Assembly (inc 11)	10	2-4-8051X	3-4-13031-2X	3-4-13031-2X	3-4-13031-2X	2-4-8051X
7	Slinger – End Yoke	11	41195	45799	45799	45799	41195
8	Companion Flange Assembly	14	—	—	—	—	—
9	KIT – Carrier Cover	-	707105X	707105X	707105X	707105X	707105X
10	Cover – Carrier	15	42815-2	42815-2	42815-2	42815-2	42815-2
11	Plug – Carrier Cover	17	43181	43181	43181	43181	43181
12	Bolt – Carrier Cover (qty 10)	18	34822	34822	34822	34822	34822
13	Differential Bearing Kit	21	706070X	706047X	706070X	706070X	706070X
14	KIT – Diff Brg Adj Shim (inc 16)	22	706373X	706378X	706373X	706373X	706373X
15	Bolt – Drive Gear (qty 12)	24	40638	40638	40638	30266	30266
16	Gear – Differential (std)	26	35079	43913	35079	35079	35079
17	Shaft – Differential (std)	29	46640	46640	46640	46640	46640
18	Spacer – Diff Bearing	30	34848-28	42563	34848-28	34848-28	34848-28
19	Tone Ring (ABS)	31	42929	42929	42929	42929	42929
20	Seal – Hub	34	46004	46004	46004	46004	46004
21	Inner Wheel Bearing Kit	35	706179X	706179X	706179X	706179X	706179X
22	Outer Wheel Bearing Kit	36	706074X	706074X	706074X	706074X	706074X
23	Spindle Nut / Wheel Brg.Ret.	38	43075	43075	43075	43075	43075
24	Wheel Brg. Ret. (Left Hand)	-	—	—	—	—	—
25	Wedge – Locking	39	—	—	—	—	—
26	Gear – Differential (p/l)	48	35294	43914	35294	—	—
27	Lockwasher	51	—	—	—	—	—
28	Screw – Flange Head	52	45720	45720	45720	45720	45720
29	Gear – Differential (t/l)	53	—	—	—	—	—
30	Pinion – Differential (t/l)	54	—	—	—	—	—
31	Thrustwasher – Pinion (t/l)	55	—	—	—	—	—
32	Shaft – Differential (t/l)	56	—	—	—	—	—

(See next page for additional bills of material)

MODEL 70 REAR AXLES FOR FORD VARIABLE PARTS TABLE

Kits & Parts - Use With All Applications							
Description & Item Number (Refer to "Exploded View" on page 138)			Bills of Material				
			605714	605715	605844	605845	605846
1	Inner Pinion Bearing Kit	3	706861X	706060X	706861X	706861X	706060X
2	KIT – Pinion Brg Adj Shim	-	706359X	706357X	706359X	706359X	706357X
3	Baffle – Pinion Bearing	5	—	—	—	—	—
4	KIT – Diff & Pinion Adj Shim	-	708020	706213X	708020	708020	706213X
5	Seal – Pinion	9	42449	42449	42449	42449	42449
6	End Yoke or Assembly (inc 11)	10	3-4-13031-2X	3-4-13031-2X	3-4-13031-2X	2-4-8051X	2-4-8051X
7	Slinger – End Yoke	11	45799	45799	45799	41195	41195
8	Companion Flange Assembly	14	—	—	—	—	—
9	KIT – Carrier Cover	-	707105X	707105X	707105X	707105X	707105X
10	Cover – Carrier	15	42815-2	42815-2	42815-2	42815-2	42815-2
11	Plug – Carrier Cover	17	43181	43181	43181	43181	43181
12	Bolt – Carrier Cover (qty 10)	18	34822	34822	34822	34822	34822
13	Differential Bearing Kit	21	706047X	706070X	706047X	706047X	706070X
14	KIT – Diff Brg Adj Shim (inc 16)	22	706378X	706373X	706378X	706378X	706373X
15	Bolt – Drive Gear (qty 12)	24	30266	30266	40638	40638	40638
16	Gear – Differential (std)	26	43913	35079	43913	43913	35079
17	Shaft – Differential (std)	29	46640	46640	46640	46640	46640
18	Spacer – Diff Bearing	30	42563	34848-28	42563	42563	34848-28
19	Tone Ring (ABS)	31	42929	42929	42929	42929	42929
20	Seal – Hub	34	46004	46004	46004	46004	46004
21	Inner Wheel Bearing Kit	35	706179X	706179X	706179X	706179X	706179X
22	Outer Wheel Bearing Kit	36	706074X	706074X	706074X	706074X	706074X
23	Spindle Nut / Wheel Brg.Ret.	38	43075	43075	43075	43075	43075
24	Wheel Brg. Ret. (Left Hand)	-	—	—	—	—	—
25	Wedge – Locking	39	—	—	—	—	—
26	Gear – Differential (p/l)	48	43914	35294	43914	43914	35294
27	Lockwasher	51	—	—	—	—	—
28	Screw – Flange Head	52	45720	45720	45720	45720	45720
29	Gear – Differential (t/l)	53	—	—	—	—	—
30	Pinion – Differential (t/l)	54	—	—	—	—	—
31	Thrustwasher – Pinion (t/l)	55	—	—	—	—	—
32	Shaft – Differential (t/l)	56	—	—	—	—	—

(See next page for additional bills of material)

MODEL 70 REAR AXLES FOR FORD VARIABLE PARTS TABLE

Kits & Parts - Use With All Applications							
Description & Item Number (Refer to "Exploded View" on page 138)			Bills of Material				
			605847	605848	605860	605861	605862
1	Inner Pinion Bearing Kit	3	706861X	706060X	706861X	706861X	706060X
2	KIT – Pinion Brg Adj Shim	-	706359X	706357X	706359X	706359X	706357X
3	Baffle – Pinion Bearing	5	—	—	—	—	—
4	KIT – Diff & Pinion Adj Shim	-	708020	706213X	708020	708020	706213X
5	Seal – Pinion	9	42449	42449	42449	42449	42449
6	End Yoke or Assembly (inc 11)	10	3-4-13031-2X	3-4-13031-2X	3-4-13031-2X	2-4-8051X	3-4-13031-2X
7	Slinger – End Yoke	11	45799	45799	45799	41195	45799
8	Companion Flange Assembly	14	—	—	—	—	—
9	KIT – Carrier Cover	-	707105X	707105X	707105X	707105X	707105X
10	Cover – Carrier	15	42815-2	42815-2	42815-2	42815-2	42815-2
11	Plug – Carrier Cover	17	43181	43181	43181	43181	43181
12	Bolt – Carrier Cover (qty 10)	18	34822	34822	34822	34822	34822
13	Differential Bearing Kit	21	706047X	706070X	706047X	706047X	706070X
14	KIT – Diff Brg Adj Shim (inc 16)	22	706378X	706373X	706378X	706378X	706373X
15	Bolt – Drive Gear (qty 12)	24	40638	40638	40638	40638	40638
16	Gear – Differential (std)	26	43913	35079	43913	43913	35079
17	Shaft – Differential (std)	29	46640	46640	46640	46640	46640
18	Spacer – Diff Bearing	30	42563	34848-28	42563	42563	34848-28
19	Tone Ring (ABS)	31	42929	42929	42929	42929	42929
20	Seal – Hub	34	46004	46004	46004	46004	46004
21	Inner Wheel Bearing Kit	35	706179X	706179X	706179X	706179X	706179X
22	Outer Wheel Bearing Kit	36	706074X	706074X	706074X	706074X	706074X
23	Spindle Nut / Wheel Brg.Ret.	38	43075	43075	43075	43075	43075
24	Wheel Brg. Ret. (Left Hand)	-	—	—	—	—	—
25	Wedge – Locking	39	—	—	—	—	—
26	Gear – Differential (p/l)	48	43914	35294	—	—	—
27	Lockwasher	51	—	—	—	—	—
28	Screw – Flange Head	52	45720	45720	45720	45720	45720
29	Gear – Differential (t/l)	53	—	—	—	—	—
30	Pinion – Differential (t/l)	54	—	—	—	—	—
31	Thrustwasher – Pinion (t/l)	55	—	—	—	—	—
32	Shaft – Differential (t/l)	56	—	—	—	—	—

(See next page for additional bills of material)

MODEL 70 REAR AXLES FOR FORD VARIABLE PARTS TABLE

Kits & Parts - Use With All Applications							
Description & Item Number (Refer to "Exploded View" on page 138)			Bills of Material				
			605929	605950	605951	606020	606021
1	Inner Pinion Bearing Kit	3	706060X	706861X	706861X	706861X	706861X
2	KIT – Pinion Brg Adj Shim	-	706357X	707408X	707408X	707408X	707408X
3	Baffle – Pinion Bearing	5	—	—	—	—	—
4	KIT – Diff & Pinion Adj Shim	-	706213X	708078	708078	708078	708078
5	Seal – Pinion	9	42449	42449	42449	42449	42449
6	End Yoke or Assembly (inc 11)	10	3-4-13031-2X	—	—	—	—
7	Slinger – End Yoke	11	45799	45799	45799	45799	45799
8	Companion Flange Assembly	14	—	3-1-4881X	3-1-4881X	3-1-4881X	3-1-4881X
9	KIT – Carrier Cover	-	707105X	707105-1X	707105-1X	707105-1X	707105-1X
10	Cover – Carrier	15	42815-2	42815-2	42815-2	42815-2	42815-2
11	Plug – Carrier Cover	17	43181	43181	43181	43181	43181
12	Bolt – Carrier Cover (qty 10)	18	34822	47508	47508	47508	47508
13	Differential Bearing Kit	21	706070X	706047X	706047X	707489X	707489X
14	KIT – Diff Brg Adj Shim (inc 16)	22	706378X	701144X	701144X	701144X	701144X
15	Bolt – Drive Gear (qty 12)	24	40638	40638	40638	40638	40638
16	Gear – Differential (std)	26	35079	43913	43913	43913	43913
17	Shaft – Differential (std)	29	46640	46640	46640	46640	46640
18	Spacer – Diff Bearing	30	34848-28	47560 ⁹	47560 ⁹	47560 ⁹	47560 ⁹
19	Tone Ring (ABS)	31	42929	42929	42929	42929	42929
20	Seal – Hub	34	46004	47507	47507	47507	47507
21	Inner Wheel Bearing Kit	35	706179X	706179X	706179X	706179X	706179X
22	Outer Wheel Bearing Kit	36	706074X	706074X	706074X	706074X	706074X
23	Spindle Nut / Wheel Brg.Ret.	38	43075	43075	43075	43075	43075
24	Wheel Brg. Ret. (Left Hand)	-	43075	—	—	43075	43075
25	Wedge – Locking	39	—	—	—	—	—
26	Gear – Differential (p/l)	48	—	43914	43914	43914	43914
27	Lockwasher	51	45720	—	—	—	—
28	Screw – Flange Head	52	—	45720	45720	45720	45720
29	Gear – Differential (t/l)	53	—	—	—	—	—
30	Pinion – Differential (t/l)	54	—	—	—	—	—
31	Thrustwasher – Pinion (t/l)	55	—	—	—	—	—
32	Shaft – Differential (t/l)	56	—	—	—	—	—

(See next page for additional bills of material)

⁹ For selection thickness on 47560 shims, see "Differential Bearing Adjustment Shim Table" on page 204.

MODEL 70 REAR AXLES FOR FORD VARIABLE PARTS TABLE

Kits & Parts - Use With All Applications							
Description & Item Number (Refer to "Exploded View" on page 138)			Bills of Material				
			606026	606028	606145	606158	606159
1	Inner Pinion Bearing Kit	3	706861X	706060X	706060X	706861X	706861X
2	KIT – Pinion Brg Adj Shim	-	707408X	707408X	707408X	707408X	707408X
3	Baffle – Pinion Bearing	5	—	—	—	—	—
4	KIT – Diff & Pinion Adj Shim	-	708078	708078	708078	708078	708078
5	Seal – Pinion	9	42449	42449	42449	42449	42449
6	End Yoke or Assembly (inc 11)	10	—	—	—	—	—
7	Slinger – End Yoke	11	45799	45799	45799	45799	45799
8	Companion Flange Assembly	14	3-1-4881X	3-1-4881X	3-1-4881X	3-1-4881X	3-1-4881X
9	KIT – Carrier Cover	-	707105-1X	707105-1X	707105-1X	707105-1X	707105-1X
10	Cover – Carrier	15	42815-2	42815-2	42815-2	42815-2	42815-2
11	Plug – Carrier Cover	17	43181	43181	43181	43181	43181
12	Bolt – Carrier Cover (qty 10)	18	47508	47508	47508	47508	47508-1
13	Differential Bearing Kit	21	707489X	706070X	706070X	707489X	707489X
14	KIT – Diff Brg Adj Shim (inc 16)	22	701144X	701144X	701144X	701144X	701144X
15	Bolt – Drive Gear (qty 12)	24	40638	40638	40638	40638	40638
16	Gear – Differential (std)	26	43913	35079	35079	43913	43913
17	Shaft – Differential (std)	29	46640	46640	46640	46640	46640
18	Spacer – Diff Bearing	30	47560 ⁹	48849 ⁹	48849 ⁹	47560 ⁹	47560 ⁹
19	Tone Ring (ABS)	31	42929	42929	42929	42929	42929
20	Seal – Hub	34	47507	47507	47507	47507	47507
21	Inner Wheel Bearing Kit	35	706179X	706179X	706179X	706179X	706179X
22	Outer Wheel Bearing Kit	36	706074X	706074X	706074X	706074X	706074X
23	Spindle Nut / Wheel Brg.Ret.	38	43075	43075	43075	43075	43075
24	Wheel Brg. Ret. (Left Hand)	-	43075	43075	43075	43075	43075
25	Wedge – Locking	39	—	—	—	—	—
26	Gear – Differential (p/l)	48	43914	—	—	43914	43914
27	Lockwasher	51	—	—	—	—	—
28	Screw – Flange Head	52	45720	45720	45720	45720	45720
29	Gear – Differential (t/l)	53	—	—	—	—	—
30	Pinion – Differential (t/l)	54	—	—	—	—	—
31	Thrustwasher – Pinion (t/l)	55	—	—	—	—	—
32	Shaft – Differential (t/l)	56	—	—	—	—	—

(See next page for additional bills of material)

⁹ For selection thickness on 47560 or 48849 shims, see "Differential Bearing Adjustment Shim Table" on page 204.

MODEL 70 REAR AXLES FOR FORD VARIABLE PARTS TABLE

Kits & Parts - Use With All Applications							
Description & Item Number (Refer to "Exploded View" on page 138)			Bills of Material				
			606160	606189	606207	606231	606319
1	Inner Pinion Bearing Kit	3	706060X	706861X	706060X	706861X	706060X
2	KIT – Pinion Brg Adj Shim	-	707408X	707408X	708079	707408X	707408X
3	Baffle – Pinion Bearing	5	—	—	—	—	—
4	KIT – Diff & Pinion Adj Shim	-	707485X	708078	708078	708078	707485X
5	Seal – Pinion	9	42449	42449	42449	42449	42449
6	End Yoke or Assembly (inc 11)	10	—	—	—	—	—
7	Slinger – End Yoke	11	45799	45799	45799	45799	45799
8	Companion Flange Assembly	14	3-1-4881X	3-1-4881X	2-1-3001X	3-1-4881X	3-1-4881X
9	KIT – Carrier Cover	-	707105-1X	707105-1X	708082	707105-1X	707105-1X
10	Cover – Carrier	15	42815-2	42815-2	47717-3	42815-2	42815-2
11	Plug – Carrier Cover	17	43181	43181	38637	43181	43181
12	Bolt – Carrier Cover (qty 10)	18	47508	47508-1	34822	47508	47508
13	Differential Bearing Kit	21	706070X	707489X	706070X	707489X	706070X
14	KIT – Diff Brg Adj Shim (inc 16)	22	701144X	701144X	701144X	701144X	701144X
15	Bolt – Drive Gear (qty 12)	24	40638	40638	40638	40638	40638
16	Gear – Differential (std)	26	35079	43913	35079	43913	35079
17	Shaft – Differential (std)	29	46640	46640	46640	46640	46640
18	Spacer – Diff Bearing	30	48849 ⁹	47560 ⁹	48849 ⁹	47560 ⁹	48849 ⁹
19	Tone Ring (ABS)	31	42929	42929	42929	42929	42929
20	Seal – Hub	34	47507	47507	47507	47507	47507
21	Inner Wheel Bearing Kit	35	706179X	706179X	706179X	706179X	706179X
22	Outer Wheel Bearing Kit	36	706074X	706074X	706074X	706074X	706074X
23	Spindle Nut / Wheel Brg.Ret.	38	43075	43075	43075	43075	43075
24	Wheel Brg. Ret. (Left Hand)	-	43075	43075	43075	43075	43075
25	Wedge – Locking	39	—	—	—	—	—
26	Gear – Differential (p/l)	48	—	43914	—	43914	—
27	Lockwasher	51	—	—	—	—	—
28	Screw – Flange Head	52	45720	47520	45720	45720	45720
29	Gear – Differential (t/l)	53	—	—	—	—	—
30	Pinion – Differential (t/l)	54	—	—	—	—	—
31	Thrustwasher – Pinion (t/l)	55	—	—	—	—	—
32	Shaft – Differential (t/l)	56	—	—	—	—	—

(See next page for additional bills of material)

⁹ For selection thickness on 47560 or 48849 shims, see "Differential Bearing Adjustment Shim Table" on page 204.

MODEL 70 REAR AXLES FOR FORD VARIABLE PARTS TABLE

Kits & Parts - Use With All Applications							
Description & Item Number (Refer to "Exploded View" on page 138)			Bills of Material				
			606320	606523	606540	606592	606605
1	Inner Pinion Bearing Kit	3	706861X	706861X	706060X	706060X	706861X
2	KIT – Pinion Brg Adj Shim	-	707408X	707408X	708079	708079	708079
3	Baffle – Pinion Bearing	5	—	—	—	—	—
4	KIT – Diff & Pinion Adj Shim	-	708078	708078	708078	708078	708078
5	Seal – Pinion	9	42449	42449	50637	50637	50637
6	End Yoke or Assembly (inc 11)	10	—	—	—	—	—
7	Slinger – End Yoke	11	45799	45799	45799	45799	45799
8	Companion Flange Assembly	14	3-1-4881X	3-1-4881X	2-1-3001X	3-1-4881X	3-1-4881X
9	KIT – Carrier Cover	-	707105-1X	707105-1X	708082	708082-1	707105-1X
10	Cover – Carrier	15	42815-2	42815-2	47717-3	47717-3	42815-2
11	Plug – Carrier Cover	17	43181	43181	38637	38637	43181
12	Bolt – Carrier Cover (qty 10)	18	47508	47508	34822	47508	47508
13	Differential Bearing Kit	21	707489X	707489X	706070X	706070X	707489X
14	KIT – Diff Brg Adj Shim (inc 16)	22	701144X	701144X	701144X	701144X	701144X
15	Bolt – Drive Gear (qty 12)	24	40638	40638	40638	40638	40638
16	Gear – Differential (std)	26	43913	43913	35079	35079	43913
17	Shaft – Differential (std)	29	46640	46640	46640	46640	46640
18	Spacer – Diff Bearing	30	47560 ⁹	47560 ⁹	48849 ⁹	48849 ⁹	47560 ⁹
19	Tone Ring (ABS)	31	42929	42929	42929	42929	42929
20	Seal – Hub	34	47507	47507	47507	47507	47507
21	Inner Wheel Bearing Kit	35	706179X	706179X	706179X	706179X	706179X
22	Outer Wheel Bearing Kit	36	706074X	706074X	706074X	706074X	706074X
23	Spindle Nut / Wheel Brg.Ret.	38	43075	43075	43075	43075	43075
24	Wheel Brg. Ret. (Left Hand)	-	43075	43075	43075	43075	43075
25	Wedge – Locking	39	—	—	—	—	—
26	Gear – Differential (p/l)	48	43914	43914	—	—	43914
27	Lockwasher	51	—	—	—	—	—
28	Screw – Flange Head	52	45720	45720	45720	45720	45720
29	Gear – Differential (t/l)	53	—	—	47796	—	—
30	Pinion – Differential (t/l)	54	—	—	47798	—	—
31	Thrustwasher – Pinion (t/l)	55	—	—	47800	—	—
32	Shaft – Differential (t/l)	56	—	—	47802	—	—

(See next page for additional bills of material)

⁹ For selection thickness on 47560 or 48849 shims, see "Differential Bearing Adjustment Shim Table" on page 204.

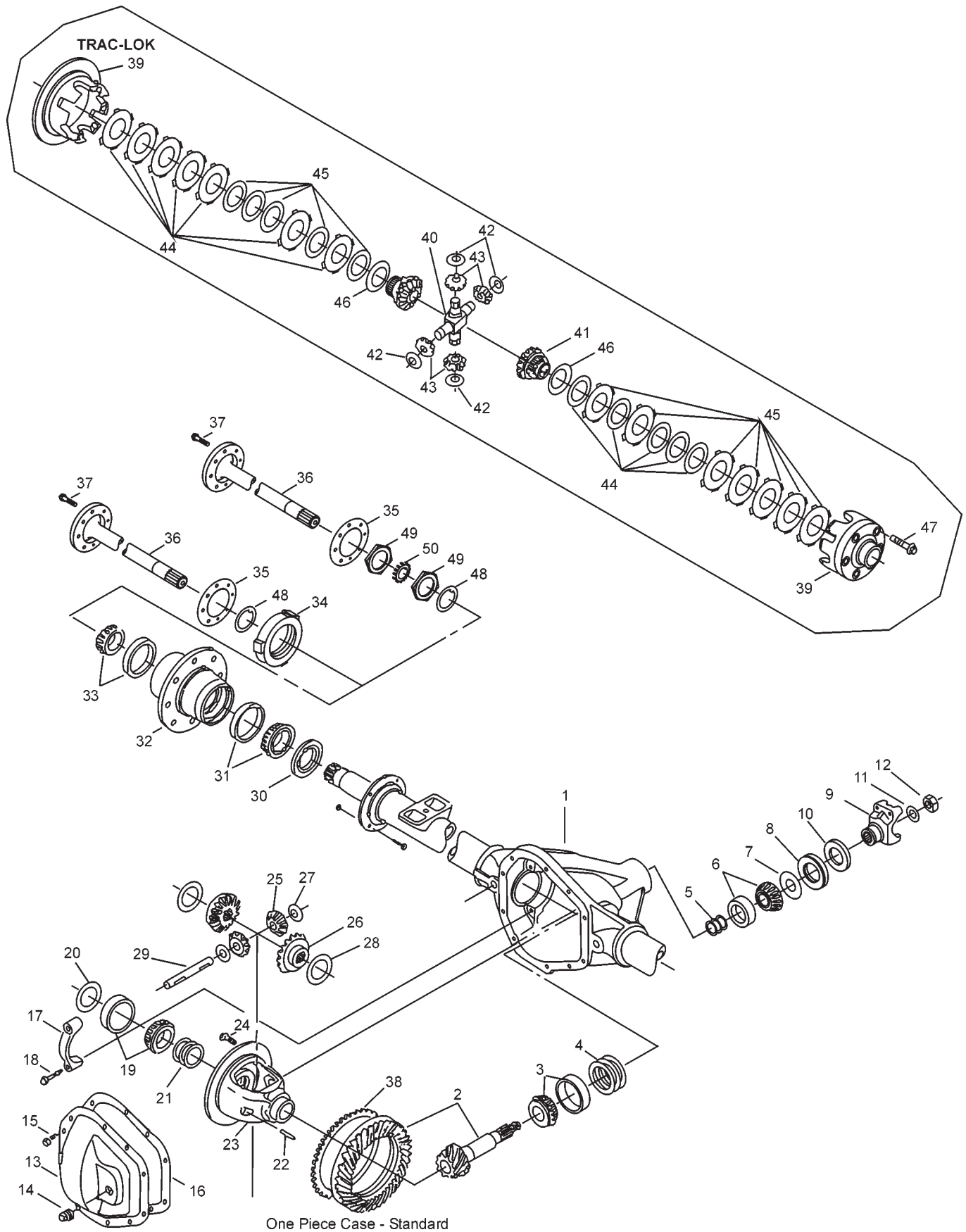
MODEL 70 REAR AXLES FOR FORD VARIABLE PARTS TABLE

Kits & Parts - Use With All Applications						
Description & Item Number (Refer to "Exploded View" on page 138)			Bills of Material			
			606606			
1	Inner Pinion Bearing Kit	3	706060X			
2	KIT – Pinion Brg Adj Shim	-	708079			
3	Baffle – Pinion Bearing	5	—			
4	KIT – Diff & Pinion Adj Shim	-	708078			
5	Seal – Pinion	9	50637			
6	End Yoke or Assembly (inc 11)	10	—			
7	Slinger – End Yoke	11	45799			
8	Companion Flange Assembly	14	2-1-3001X			
9	KIT – Carrier Cover	-	708082			
10	Cover – Carrier	15	47717-3			
11	Plug – Carrier Cover	17	38637			
12	Bolt – Carrier Cover (qty 10)	18	34822			
13	Differential Bearing Kit	21	706070X			
14	KIT – Diff Brg Adj Shim (inc 16)	22	701144X			
15	Bolt – Drive Gear (qty 12)	24	40638			
16	Gear – Differential (std)	26	35079			
17	Shaft – Differential (std)	29	46640			
18	Spacer – Diff Bearing	30	48849 ⁹			
19	Tone Ring (ABS)	31	42929			
20	Seal – Hub	34	47507			
21	Inner Wheel Bearing Kit	35	706179X			
22	Outer Wheel Bearing Kit	36	706074X			
23	Spindle Nut / Wheel Brg.Ret.	38	43075			
24	Wheel Brg. Ret. (Left Hand)	-	43075			
25	Wedge – Locking	39	—			
26	Gear – Differential (p/l)	48	—			
27	Lockwasher	51	—			
28	Screw – Flange Head	52	45720			
29	Gear – Differential (t/l)	53	47796			
30	Pinion – Differential (t/l)	54	47798			
31	Thrustwasher – Pinion (t/l)	55	47800			
32	Shaft – Differential (t/l)	56	47802			

⁹ For selection thickness on 48849 shims, see "Differential Bearing Adjustment Shim Table" on page 204.

**MODEL 80 /286
REAR AXLES for
E-350, F-350 & F-450**

80 /286 REAR EXPLODED VIEW



MODEL 80 REAR AXLES FOR FORD PARTS LISTING

ITEM NO.	PART NUMBER	DESCRIPTION	ITEM NO.	PART NUMBER	DESCRIPTION
1	— ³	Housing – Axle Service	25	42413	Pinion – Differential (std)
2	— ¹	Drive Pinion & Gear kit	26	— ²	Gear – Differential (std)
3	— ²	Inner Pinion Bearing Kit	27	35082	Thrustwasher – Diff Pinion (std)
	— ²	KIT – Pinion Brg Adj Shim (inc 4, 5, 11, 12)	28	34729	Thrustwasher – Diff Gear (std)
	— ²	KIT – Diff & Pinion Shim (inc 4, 5, 10, 11, 20)	29	46640	Shaft – Differential (std)
4	— ⁴	Inner Pinion Adj Shims	30	— ²	Seal – Oil (Inner Wheel)
5	— ⁴	Outer Pinion Adj Shims	31	— ²	Bearing Cone – Inner Wheel
6	707064X	KIT – Outer Pinion Bearing	32	— ³	Bearing Cup – Inner Wheel
7	42430	Thrustwasher – Bearing	33	— ²	Hub & Rotor Assembly
8	46411	Seal – Pinion	33	— ²	Bearing Cone – Outer Wheel
	— ²	Seal – Oil	34	— ³	Bearing Cup – Outer Wheel
9	— ²	End Yoke or Comp.Flange (inc 10)	34	— ²	Retainer – Wheel Bearing (RH)
10	— ²	Slinger – End Yoke	35	— ²	Retainer – Wheel Bearing (LH)
11	37104	Washer – Pinion Nut	36	— ²	Gasket
12	37082	Nut – Pinion	37	— ¹	Shaft – Axle
	— ²	KIT – Carrier Cover (inc 13, 14, 15)	37	— ²	Screw & Lockwasher Assy
13	— ²	Cover – Carrier	38	42414	Tone Ring – ABS Only
14	— ²	Plug – Carrier Cover	39	— ⁴	Case – Differential (t/l)
15	— ²	Bolt – Carrier Cover(qty 10)	40	— ²	Shaft – Differential (t/l)
16	38615	RTV Silicone Sealant	41	— ²	Gear – Differential (t/l)
17	— ³	Cap – Differential Bearing	42	— ²	Thrustwasher – Pinion (t/l)
18	48632-1	Bolt – Differential Bearing Cap	43	— ²	Pinion – Differential (t/l)
19	706070X	Differential Bearing Kit	43	— ²	PKG – Disc & Plate (t/l)
20	— ²	Diff Outboard Spacer Kit	44	— ²	Disc – Diff Clutch
21	— ²	KIT – Diff Brg Adj Shim	45	— ⁴	Plate – Diff Pressure
22	47024	Lock – Differential Shaft	46	— ⁴	Disc – Diff Dished
23	— ⁴	Case – Differential (std)	47	— ²	Bolt – Differential Case (t/l)
24	42433	Bolt – Drive Gear (qty 12)	48	— ²	Retainer Ring / O-Ring
			49	— ²	Nut – Spindle
			50	— ²	Lockwasher

1 See "Bill of Material Table" on page 188

2 See "Variable Parts Table" on page 195

3 Contact Vehicle Manufacturer.

4 Not Sold Separately.

MODEL 80 REAR AXLES FOR FORD

BILL OF MATERIAL TABLE

AXLE			AXLE KITS				SHAFT & JOINT ASSY.	
BILL OF MATERIAL	DIFF. TYPE	RATIO	RING GEAR & PINION KIT 6	DIFFERENTIAL			RIGHT HAND SHAFT ASSY.	LEFT HAND SHAFT ASSY.
				CASE ASSY. KIT 7	CASE KIT	INNER PARTS KIT		
1988 F-350 Super Duty								
605303-1	Standard	4.63	707060-1X	707061X	707062X	707063X	43286-1	43286-1
605303-2	Standard	5.13	707060-4X	707061X	707062X	707063X	43286-1	43286-1
605303-3	Standard	4.63	707060-1X	707061X	707062X	707063X	43286-1	43286-1
605303-4	Standard	5.13	707060-4X	707061X	707062X	707063X	43286-1	43286-1
1989 F-350 Super Duty								
605400-1	Standard	4.63	707060-1X	707061X	707062X	707063X	43286-1	43286-1
605400-2	Standard	5.13	707060-4X	707061X	707062X	707063X	43286-1	43286-1
1990-91 1/2 F-350 Super Duty								
605445-1	Standard	4.63	707060-1X	707184X	707062X	707185X	43651-1	43651-1
605445-2	Standard	5.13	707060-4X	707184X	707062X	707185X	43651-1	43651-1
1992-93 1/2 F-450 Chassis-DRW-Full Float								
605461-1	Standard	4.63	707060-1X	707232X	707230X	707185X	43651-1	43651-1
605461-2	Standard	5.13	707060-4X	707232X	707230X	707185X	43651-1	43651-1
1993-94 1/2 F-450 Chassis-DRW-Full Float								
605632-1	Standard	4.63	707060-1X	707232X	707230X	707185X	43651-1	43651-1
605632-2	Standard	5.13	707060-4X	707232X	707230X	707185X	43651-1	43651-1
1995-95 1/2 F-450 Chassis-DRW-Full Float								
605717-1	Standard	4.63	707060-12X	707232X	707230X	707185X	43651-1	43651-1
605717-2	Standard	5.13	707060-13X	707232X	707230X	707185X	43651-1	43651-1
1996 E-350 DRW Chassis - Full Float								
605834-1	Standard	4.63	707361-5X	707330X	707230X	707063X	46930-1	46930-2
1996-98 F-450 Chassis-DRW-Full Float								
605831-1	Standard	4.63	707361-5X	707394X	707395X	707185X	43651-1	43651-1
605831-2	Standard	5.13	707361-6X	707394X	707395X	707185X	43651-1	43651-1
605831-4	Trac Lok	5.13	707361-6X	708097	— ³	— ³	43651-1	43651-1
1997-98 E-350 DRW Chassis - Full Float								
605807-1	Standard	4.63	707361-5X	707330X	707230X	707063X	46930-1	46930-2

³ Contact Vehicle Manufacturer.

⁶ See Ring Gear & Pinion Kits in XGI Catalog for ratio & tooth combinations.

⁷ See Differential Case Assy Kits in XGI Catalog for spline data & ratios.

MODEL 80 REAR AXLES FOR FORD

BILL OF MATERIAL TABLE

AXLE			AXLE KITS				SHAFT & JOINT ASSY.	
BILL OF MATERIAL	DIFF. TYPE	RATIO	RING GEAR & PINION KIT 6	DIFFERENTIAL			RIGHT HAND SHAFT ASSY.	LEFT HAND SHAFT ASSY.
				CASE ASSY. KIT 7	CASE KIT	INNER PARTS KIT		
1998 1/2 E-350 Super Duty - DRW - Full Float								
606076-1	Standard	4.10	707361-11X	707330X	707230X	707063X	46930-1	46930-2
1998 1/2-99 1/2 F-350 Chassis DRW Full Float ABS								
605924-1	Standard	3.73	708120-5	707330X	707230X	707063X	47847-3 3	47847-4 3
605924-2	Trac Lok	4.10	708120-6	707477X	708053	708051	47847-3 3	47847-4 3
605924-3	Trac Lok	4.30	708120-7	707477X	708053	708051	47847-3 3	47847-4 3
1998 1/2-99 1/2 F-450 Chassis-DRW-Full Float								
605925-1	Standard	4.88	708120-10	707394X	707395X	707185X	47852-1	47852-1
605925-2	Trac Lok	4.88	708120-10	708097	— 3	— 3	47852-1	47852-1
605925-3	Standard	5.38	708120-11	707394X	707395X	707185X	47852-1	47852-1
605925-4	Trac Lok	5.38	708120-11	708097	— 3	— 3	47852-1	47852-1
1998 1/2-99 1/2 F-350 Chassis DRW Full Float ABS								
605942-1	Trac Lok	4.10	708120-6	707477X	708053	708051	47847-1	47847-2
1998 1/2-2000 F-350 Pick-Up DRW-Full Float								
605926-1	Standard	3.73	708120-5	707330X	707230X	707063X	47847-1	47847-2
605926-2	Trac Lok	4.10	708120-6	707477X	708053	708051	47847-1	47847-2
605926-3	Trac Lok	4.30	708120-7	707477X	708053	708051	47847-1	47847-2
1999 E-350 Super Duty - DRW - Full Float								
606144-1	Standard	4.10	707361-12X	707330X	707230X	707063X	46930-1	46930-2
606144-3	Standard	4.63	707361-5X	707330X	707230X	707063X	46930-1	46930-2
1999 1/2 F-450 Motor Home DRW-Full Float-ABS								
605944-1	Standard	5.38	708120-11	707394X	707395X	707185X	47852-1	47852-1
1999 1/2 E-450 Super Duty DRW ABS								
606217-1	Standard	4.10	707361-12X	708031	708032	707063X	46930-1	46930-2
606217-2	Standard	4.63	707361-13X	708031	708032	707063X	46930-1	46930-2

3 Contact Vehicle Manufacturer.

6 See Ring Gear & Pinion Kits in XGI Catalog for ratio & tooth combinations.

7 See Differential Case Assy Kits in XGI Catalog for spline data & ratios.

MODEL 80 REAR AXLES FOR FORD

BILL OF MATERIAL TABLE

AXLE			AXLE KITS				SHAFT & JOINT ASSY.	
BILL OF MATERIAL	DIFF. TYPE	RATIO	RING GEAR & PINION KIT <small>6</small>	DIFFERENTIAL			RIGHT HAND SHAFT ASSY.	LEFT HAND SHAFT ASSY.
				CASE ASSY. KIT <small>7</small>	CASE KIT	INNER PARTS KIT		
2000 F-350 Chassis DRW Full Float ABS								
606224-1	Standard	3.73	708120-5	708031	707395X	707063X	47847-3 ³	47847-4 ³
606224-2	Trac Lok	4.10	708120-6	707477X	708053	708051	47847-3 ³	47847-4 ³
606224-3	Trac Lok	4.30	708120-7	707477X	708053	708051	47847-3 ³	47847-4 ³
606224-4	Standard	3.73	708120-5	708031	707395X	707063X	47847-3 ³	47847-4 ³
606224-5	Standard	3.73	708120-5	708031	707395X	707063X	47847-3 ³	47847-4 ³
606224-6	Trac Lok	4.10	708120-6	707477X	708053	708051	47847-3 ³	47847-4 ³
606224-7	Trac Lok	4.30	708120-7	707477X	708053	708051	47847-3 ³	47847-4 ³
2000 F-450 Chassis-DRW-Full Float-ABS								
606225-1	Standard	4.88	708120-10	707394X	707395X	707185X	47852-1	47852-1
606225-2	Trac Lok	4.88	708120-10	708097	— ³	— ³	47852-1	47851-1
606225-3	Standard	5.38	708120-11	707394X	707395X	707185X	47852-1	47852-1
606225-4	Trac Lok	5.38	708120-11	708097	— ³	— ³	47852-1	47852-1
606225-5	Standard	4.88	708120-10	707394X	707395X	707185X	47852-1	47852-1
606225-6	Trac Lok	4.88	708120-10	708097	— ³	— ³	47852-1	47852-1
606225-7	Standard	5.38	708120-11	707394X	707395X	707185X	47852-1	47852-1
606225-8	Trac Lok	5.38	708120-11	708097	— ³	— ³	47852-1	47852-1
2000 F-350 Pick-up DRW-Full Float-ABS								
606226-1	Standard	3.73	708120-5	708031	707395X	707063X	47847-1	47847-2
606226-2	Trac Lok	4.10	708120-6	707477X	708053	708051	47847-1	47847-2
606226-3	Trac Lok	4.30	708120-7	707477X	708053	708051	47847-1	47847-2
606226-4	Standard	3.73	708120-5	708031	707395X	707063X	47847-1	47847-2
606226-5	Standard	3.73	708120-5	708031	707395X	707063X	47847-1	47847-2
606226-6	Trac Lok	4.10	708120-6	707477X	708053	708051	47847-1	47847-2
606226-7	Trac Lok	4.30	708120-7	707477X	708053	708051	47847-1	47847-2
2000 F-350 Chassis DRW Full Float ABS								
606227-1	Trac Lok	4.10	708120-6	707477X	708053	708051	47847-1	47847-2
606227-2	Trac Lok	4.10	708120-6	707477X	708053	708051	47847-1	47847-2
2000 F-450 Motor Home DRW-Full Float-ABS								
606228-1	Standard	5.38	708120-11	707394X	707395X	707185X	47852-1	47852-1
606228-2	Standard	5.38	708120-11	707394X	707395X	707185X	47852-1	47852-1

³ Contact Vehicle Manufacturer.

⁶ See Ring Gear & Pinion Kits in XGI Catalog for ratio & tooth combinations.

⁷ See Differential Case Assy Kits in XGI Catalog for spline data & ratios.

MODEL 80 REAR AXLES FOR FORD

BILL OF MATERIAL TABLE

AXLE			AXLE KITS				SHAFT & JOINT ASSY.	
BILL OF MATERIAL	DIFF. TYPE	RATIO	RING GEAR & PINION KIT 6	DIFFERENTIAL			RIGHT HAND SHAFT ASSY.	LEFT HAND SHAFT ASSY.
				CASE ASSY. KIT 7	CASE KIT	INNER PARTS KIT		
2000 F-350 Pick-up DRW-Full Float-ABS								
606263-1	Standard	3.73	708120-5	708031	708032	707063X	47847-1	47847-2
606263-2	Trac Lok	4.10	708120-6	707477X	708053	708051	47847-1	47847-2
606263-3	Trac Lok	4.30	708120-7	707477X	708053	708051	47847-1	47847-2
2000 E-450 Super Duty DRW ABS								
606321-1	Standard	4.10	707361-12X	708031	708032	707063X	46930-1	46930-2
606321-2	Standard	4.63	707361-13X	708031	708032	707063X	46930-1	46930-2
606321-3	Standard	4.10	707361-12X	708031	708032	707063X	46930-1	46930-2
606321-4	Standard	4.63	707361-13X	708031	708032	707063X	46930-1	46930-2
2000 F-450 Chassis-DRW-Full Float-ABS								
606610-1	Standard	4.88	708120-10	707394X	707395X	707185X	47852-1	47852-1
606610-2	Trak Lok	4.88	708120-10	708097	— 3	— 3	47852-1	47852-1
606610-3	Standard	5.38	708120-11	707394X	707395X	707185X	47852-1	47852-1
606610-4	Trac Lok	5.38	708120-11	708097	— 3	— 3	47852-1	47852-1
606610-5	Standard	4.88	708120-10	707394X	707395X	707185X	47852-1	47852-1
606610-6	Trac Lok	4.88	708120-10	708097	— 3	— 3	47852-1	47852-1
606610-7	Standard	5.38	708120-11	707394X	707395X	707185X	47852-1	47852-1
606610-8	Trac Lok	5.38	708120-11	708097	— 3	— 3	47852-1	47852-1
606610-9	Standard	4.30	708120-7	707394X	707395X	707185X	47852-1	47852-1
606610-10	Trac Lok	4.30	708120-7	708097	— 3	— 3	47852-1	47852-1
606610-11	Standard	4.30	708120-7	707394X	707395X	707185X	47852-1	47852-1
606610-12	Trac Lok	4.30	708120-7	708097	— 3	— 3	47852-1	47852-1
2000 1/2 F-350 Pick-up DRW-Full Float-ABS								
606310-1	Standard	3.73	708120-5	708031	708032	707063X	47847-1	47847-2
606310-2	Trac Lok	4.10	708120-6	707477X	708053	708051	47847-1	47847-2
606310-3	Trac Lok	4.30	708120-7	707477X	708053	708051	47847-1	47847-2
2000 1/2 F-350 Chassis DRW Full Float ABS								
606609-1	Standard	3.73	708120-5	708031	707395X	707063X	47847-3	47847-4
606609-2	Trac Lok	4.10	708120-6	708170	— 3	— 3	47847-3	47847-4
606609-3	Trac Lok	4.30	708120-7	708170	— 3	— 3	47847-3	47847-4
606609-4	Standard	3.73	708120-5	708031	707395X	707063X	47847-3	47847-4
606609-5	Standard	3.73	708120-5	708031	707395X	707063X	47847-3	47847-4
606609-6	Trac Lok	4.10	708120-6	708170	— 3	— 3	47847-3	47847-4
606609-7	Trac Lok	4.30	708120-7	708170	— 3	— 3	47847-3	47847-4

3 Contact Vehicle Manufacturer.

6 See Ring Gear & Pinion Kits in XGI Catalog for ratio & tooth combinations.

7 See Differential Case Assy Kits in XGI Catalog for spline data & ratios.

MODEL 80 REAR AXLES FOR FORD

BILL OF MATERIAL TABLE

AXLE			AXLE KITS				SHAFT & JOINT ASSY.	
BILL OF MATERIAL	DIFF. TYPE	RATIO	RING GEAR & PINION KIT <small>6</small>	DIFFERENTIAL			RIGHT HAND SHAFT ASSY.	LEFT HAND SHAFT ASSY.
				CASE ASSY. KIT <small>7</small>	CASE KIT	INNER PARTS KIT		
2001 F-350 Chassis DRW Full Float ABS								
606611-1	Standard	3.73	708120-5	708031	707395X	707063X	47847-1	47847-2
606611-2	Standard	3.73	708120-5	708031	707395X	707063X	47847-1	47847-2
606611-3	Standard	3.73	708120-5	708031	707395X	707063X	47847-1	47847-2
606612-1	Trac Lok	4.10	708120-6	708170	— ³	— ³	47847-1	47847-2
606612-2	Trac Lok	4.10	708120-6	708170	— ³	— ³	47847-1	47847-2
2001 F53 Motor Home - Chassis - FF - ABS								
606613-1	Standard	5.38	708120-11	707394X	707395X	707185X	47852-1	47852-1
606613-2	Standard	5.38	708120-11	707394X	707395X	707185X	47852-1	47852-1
2001 F-350 Pick-up DRW-Full Float-ABS								
606614-1	Standard	3.73	708120-5	708031	708032	707063X	47847-1	47847-2
606614-2	Trac Lok	4.10	708120-6	708170	— ³	— ³	47847-1	47847-2
606614-3	Trac Lok	4.30	708120-7	708170	— ³	— ³	47847-1	47847-2
606614-4	Standard	3.73	708120-5	708031	708032	707063X	47847-1	47847-2
606614-5	Trac Lok	4.10	708120-6	708170	— ³	— ³	47847-1	47847-2
606614-6	Trac Lok	4.30	708120-7	708170	— ³	— ³	47847-1	47847-2
2002 F-350 Chassis DRW Full Float ABS								
606777-1	Standard	3.73	708120-5	708031	707395X	707063X	47847-3	47847-4
606777-2	Trac Lok	4.10	708120-6	708170	— ³	— ³	47847-3	47847-4
606777-3	Trac Lok	4.30	708120-7	708170	— ³	— ³	47847-3	47847-4
606777-4	Standard	3.73	708120-5	708031	707395X	707063X	47847-3	47847-4
606777-5	Standard	3.73	708120-5	708031	707395X	707063X	47847-3	47847-4
606777-6	Trac Lok	4.10	708120-6	708170	— ³	— ³	47847-3	47847-4
606777-7	Trac Lok	4.30	708120-7	708170	— ³	— ³	47847-3	47847-4

³ Contact Vehicle Manufacturer.

⁶ See Ring Gear & Pinion Kits in XGI Catalog for ratio & tooth combinations.

⁷ See Differential Case Assy Kits in XGI Catalog for spline data & ratios.

MODEL 80 REAR AXLES FOR FORD

BILL OF MATERIAL TABLE

AXLE			AXLE KITS				SHAFT & JOINT ASSY.	
BILL OF MATERIAL	DIFF. TYPE	RATIO	RING GEAR & PINION KIT <small>6</small>	DIFFERENTIAL			RIGHT HAND SHAFT ASSY.	LEFT HAND SHAFT ASSY.
				CASE ASSY. KIT <small>7</small>	CASE KIT	INNER PARTS KIT		
2002 F-450 Chassis-DRW-Full Float-ABS								
606778-1	Standard	4.88	708120-10	707394X	707395X	707185X	47852-1	47852-1
606778-2	Trac Lok	4.88	708120-10	708097	— ³	— ³	47852-1	47852-1
606778-3	Standard	5.38	708120-11	707394X	707395X	707185X	47852-1	47852-1
606778-4	Trac Lok	5.38	708120-11	708097	— ³	— ³	47852-1	47852-1
606778-5	Standard	5.38	708120-10	707394X	707395X	707185X	47852-1	47852-1
606778-6	Trac Lok	4.88	708120-10	708097	— ³	— ³	47852-1	47852-1
606778-7	Standard	5.38	708120-11	707394X	707395X	707185X	47852-1	47852-1
606778-8	Trac Lok	5.38	708120-11	708097	— ³	— ³	47852-1	47852-1
606778-9	Standard	4.30	708120-7	707394X	707395X	707185X	47852-1	47852-1
606778-10	Trac Lok	4.30	708120-7	708097	— ³	— ³	47852-1	47852-1
606778-11	Standard	4.30	708120-7	707394X	707395X	707185X	47852-1	47852-1
606778-12	Trac Lok	4.30	708120-7	708097	— ³	— ³	47852-1	47852-1
2002 F53 Motor Home - Chassis - FF - ABS								
606779-1	Standard	5.38	708120-11	707394X	707395X	707185X	47852-1	47852-1
606779-2	Trac Lok	4.88	708120-10	708097	— ³	— ³	47852-1	47852-1
2002 F-350 Chassis DRW Full Float ABS								
606780-1	Trac Lok	4.10	708120-6	708170	— ³	— ³	47847-1	47847-2
606780-2	Trac Lok	4.10	708120-6	708170	— ³	— ³	47847-1	47847-2
2002 F-350 Pick-up DRW-Full Float-ABS								
606781-1	Standard	3.73	708120-5	708031	708032	707063X	47847-1	47847-2
606781-2	Trac Lok	4.10	708120-6	708170	— ³	— ³	47847-1	47847-2
606781-3	Trac Lok	4.30	708120-7	708170	— ³	— ³	47847-1	47847-2
606781-4	Standard	3.73	708120-5	708031	708032	707063X	47847-1	47847-2
606781-5	Trac Lok	4.10	708120-6	708170	— ³	— ³	47847-1	47847-2
606781-6	Trac Lok	4.30	708120-7	708170	— ³	— ³	47847-1	47847-2

³ Contact Vehicle Manufacturer.

⁶ See Ring Gear & Pinion Kits in XGI Catalog for ratio & tooth combinations.

⁷ See Differential Case Assy Kits in XGI Catalog for spline data & ratios.

MODEL 80 REAR AXLES FOR FORD

BILL OF MATERIAL TABLE

AXLE			AXLE KITS				SHAFT & JOINT ASSY.	
BILL OF MATERIAL	DIFF. TYPE	RATIO	RING GEAR & PINION KIT 6	DIFFERENTIAL			RIGHT HAND SHAFT ASSY.	LEFT HAND SHAFT ASSY.
				CASE ASSY. KIT 7	CASE KIT	INNER PARTS KIT		
2002 1/2 F-350 Chassis DRW Full Float ABS								
606773-1	Standard	3.73	708120-5	708031	707395X	707063X	47847-3	47847-4
606773-2	Trac Lok	4.10	708120-6	708170	— 3	— 3	47847-3	47847-4
606773-3	Trac Lok	4.30	708120-7	708170	— 3	— 3	47847-3	47847-4
606773-4	Standard	3.73	708120-5	708031	707395X	707063X	47847-3	47847-4
606773-5	Standard	3.73	708120-5	708031	707395X	707063X	47847-3	47847-4
606773-6	Trac Lok	4.10	708120-6	708170	— 3	— 3	47847-3	47847-4
606773-7	Trac Lok	4.30	708120-7	708170	— 3	— 3	47847-3	47847-4
606774-1	Trac Lok	4.10	708120-6	708170	— 3	— 3	47847-1	47847-2
606774-2	Trac Lok	4.10	708120-6	708170	— 3	— 3	47847-1	47847-2
2002 1/2 F-350 Pick-up DRW-Full Float-ABS								
606775-1	Standard	3.73	708120-5	708031	708032	707063X	47847-1	47847-2
606775-2	Trac Lok	4.10	708120-6	708170	— 3	— 3	47847-1	47847-2
606775-3	Trac Lok	4.30	708120-7	708170	— 3	— 3	47847-1	47847-2
606775-4	Standard	3.73	708120-5	708031	708032	707063X	47847-1	47847-2
606775-5	Trac Lok	4.10	708120-6	708170	— 3	— 3	47847-1	47847-2
606775-6	Trac Lok	4.30	708120-7	708170	— 3	— 3	47847-1	47847-2

³ Contact Vehicle Manufacturer.

⁶ See Ring Gear & Pinion Kits in XGI Catalog for ratio & tooth combinations.

⁷ See Differential Case Assy Kits in XGI Catalog for spline data & ratios.

MODEL 80 REAR AXLES FOR FORD VARIABLE PARTS TABLE

Kits & Parts - Use With All Applications							
Description & Item Number (Refer to "Exploded View" on page 186)			Bills of Material				
			605303	605400	605445	605461	605632
1	Inner Pinion Bearing Kit	3	707065X	707065X	707065X	707065X	707065X
2	KIT – Pinion Brg Adj Shim	-	707066X	707066X	707066X	707066X	707066X
3	KIT – Diff & Pinion Shim	-	708036	708036	708036	708036	708036
4	Seal – Oil	-	—	—	—	—	—
5	End Yoke or Comp.Flange (inc 10)	9	3-4-11081-1X	3-4-11081-1X	3-4-11081-1X	3-4-11081-1X	3-4-11081-1X
6	Slinger – End Yoke	10	42432	42432	42432	42432	42432
7	KIT – Carrier Cover	-	707070X	707070X	707070X	707231X	707231X
8	Cover – Carrier	13	42434	42434	42434	42434	42434
9	Plug – Carrier Cover	14	36472	36472	36472	38637	38637
10	Bolt – Carrier Cover(qty 10)	15	34822	34822	34822	34822	34822
11	Diff Outboard Spacer Kit	20	707069X ⁸	707069X ⁸	707069X ⁸	707069X ⁸	707069X ⁸
12	KIT – Diff Brg Adj Shim	21	708035	708035	708035	708035	708035
13	Gear – Differential (std)	26	42411	43652	43652	43652	43652
14	Seal – Oil (Inner Wheel)	30	42446	42446	42446	44303	44303
15	Bearing Cone – Inner Wheel	31	566025	566025	566025	566025	565962
16	Bearing Cone – Outer Wheel	33	565907	565907	565907	565907	566057
17	Retainer – Wheel Bearing (RH)	34	43075	43075	43075	—	—
18	Retainer – Wheel Bearing (LH)	-	43076	43076	43075	—	—
19	Gasket	35	42445	42445	42445	45817	45817
20	Screw & Lockwasher Assy	37	42447	42447	42447	45816	45816
21	Shaft – Differential (t/l)	40	—	—	—	—	—
22	Gear – Differential (t/l)	41	—	—	—	—	—
23	Thrustwasher – Pinion (t/l)	42	—	—	—	—	—
24	Pinion – Differential (t/l)	43	—	—	—	—	—
25	PKG – Disc & Plate (t/l)	-	—	—	—	—	—
26	Bolt – Differential Case (t/l)	47	—	—	—	—	—
27	Retainer Ring / O-Ring	48	—	—	—	36637	36637
28	Nut – Spindle	49	—	—	—	36635	36635
29	Lockwasher	50	—	—	—	36636	36636

(See next page for additional bills of material)

⁸ 701133X & 707069X contain bearing preload spacers which can be purchased separately. See Differential Bearing Adjustment Shim Table on page 204 for thickness specifications. The bearing cone spacer (44849) can be purchased separately in kit 701152X.

MODEL 80 REAR AXLES FOR FORD VARIABLE PARTS TABLE

Kits & Parts - Use With All Applications							
Description & Item Number (Refer to "Exploded View" on page 186)			Bills of Material				
			605717	605807	605831	605834	605924
1	Inner Pinion Bearing Kit	3	707065X	707065X	707065X	707065X	707447X
2	KIT – Pinion Brg Adj Shim	-	707066X	707066X	707066X	707066X	707480X
3	KIT – Diff & Pinion Shim	-	708036	707365X	707365X	707365X	707481X
4	Seal – Oil	-	—	—	—	—	51180
5	End Yoke or Comp.Flange (inc 10)	9	3-4-11081-1X	75725X	3-4-11081-1X	75725X	3-4-11081-1X
6	Slinger – End Yoke	10	42432	42432	42432	42432	231872
7	KIT – Carrier Cover	-	707231X	707231X	707231X	707231X	707479X
8	Cover – Carrier	13	42434	42434	42434	42434	47717-1
9	Plug – Carrier Cover	14	38637	38637	38637	38637	38637
10	Bolt – Carrier Cover(qty 10)	15	34822	34822	34822	34822	34822
11	Diff Outboard Spacer Kit	20	707069X ⁸	701133X ⁸	701133X ⁸	701133X ⁸	701133X ⁸
12	KIT – Diff Brg Adj Shim	21	708035	707364X	707364X	707364X	707364X
13	Gear – Differential (std)	26	43652	42411	43652	42411	42411
14	Seal – Oil (Inner Wheel)	30	44303	47507	44303	47507	47507
15	Bearing Cone – Inner Wheel	31	565962	565906	565962	565906	565906
16	Bearing Cone – Outer Wheel	33	566057	565911	566057	565911	565911
17	Retainer – Wheel Bearing (RH)	34	46471	43075	46471	43075	43075
18	Retainer – Wheel Bearing (LH)	-	46471	43075	46471	43075	43075
19	Gasket	35	42445	39697	42445	39697	—
20	Screw & Lockwasher Assy	37	45816	45720	45816	45720	45816
21	Shaft – Differential (t/l)	40	—	—	—	—	47802
22	Gear – Differential (t/l)	41	—	—	—	—	47796
23	Thrustwasher – Pinion (t/l)	42	—	—	—	—	47800
24	Pinion – Differential (t/l)	43	—	—	—	—	47798
25	PKG – Disc & Plate (t/l)	-	—	—	—	—	702009
26	Bolt – Differential Case (t/l)	47	—	—	—	—	41610-1
27	Retainer Ring / O-Ring	48	—	—	—	—	47893
28	Nut – Spindle	49	—	—	—	—	—
29	Lockwasher	50	—	—	—	—	—

(See next page for additional bills of material)

⁸ 701133X & 707069X contain bearing preload spacers which can be purchased separately. See Differential Bearing Adjustment Shim Table on page 204 for thickness specifications. The bearing cone spacer (44849) can be purchased separately in kit 701152X.

MODEL 80 REAR AXLES FOR FORD VARIABLE PARTS TABLE

Kits & Parts - Use With All Applications							
Description & Item Number (Refer to "Exploded View" on page 186)			Bills of Material				
			605925	605926	605942	605944	606076
1	Inner Pinion Bearing Kit	3	707447X	707447X	707447X	707447X	707065X
2	KIT – Pinion Brg Adj Shim	-	707480X	707480X	707480X	707480X	707066X
3	KIT – Diff & Pinion Shim	-	707481X	707481X	707481X	707481X	707365X
4	Seal – Oil	-	51180	51180	51180	51180	—
5	End Yoke or Comp.Flange (inc 10)	9	3-4-11281-1X	3-4-11081-1X	3-4-11081-1X	3-4-11281-1X	75725X
6	Slinger – End Yoke	10	231872	231872	231872	231872	42432
7	KIT – Carrier Cover	-	707478X	707479X	707479X	707478X	707231X
8	Cover – Carrier	13	47843	47717-1	47717-1	47843	42434
9	Plug – Carrier Cover	14	38637	38637	38637	38637	38637
10	Bolt – Carrier Cover(qty 10)	15	47508	34822	34822	34822	34822
11	Diff Outboard Spacer Kit	20	701133X ⁸	701133X ⁸	701133X ⁸	701133X ⁸	701133X ⁸
12	KIT – Diff Brg Adj Shim	21	707364X	707364X	707364X	707364X	707364X
13	Gear – Differential (std)	26	43652	42411	—	43652	42411
14	Seal – Oil (Inner Wheel)	30	47860	47507	47507	47860	47507
15	Bearing Cone – Inner Wheel	31	566071	565906	565906	566071	565906
16	Bearing Cone – Outer Wheel	33	550348	565911	565911	550348-1	565911
17	Retainer – Wheel Bearing (RH)	34	47858	43075	43075	47858	43075
18	Retainer – Wheel Bearing (LH)	-	47858	43075	43075	47858	43075
19	Gasket	35	—	—	—	—	39697
20	Screw & Lockwasher Assy	37	45816	45816	45816	45816	45720
21	Shaft – Differential (t/l)	40	—	47802	47802	—	—
22	Gear – Differential (t/l)	41	—	47796	47796	—	—
23	Thrustwasher – Pinion (t/l)	42	—	47800	47800	—	—
24	Pinion – Differential (t/l)	43	—	47798	47798	—	—
25	PKG – Disc & Plate (t/l)	-	—	702009	702009	—	—
26	Bolt – Differential Case (t/l)	47	—	41610-1	41610-1	—	—
27	Retainer Ring / O-Ring	48	47857	47893	47893	47857	—
28	Nut – Spindle	49	—	—	—	—	—
29	Lockwasher	50	—	—	—	—	—

(See next page for additional bills of material)

⁸ 701133X & 707069X contain bearing preload spacers which can be purchased separately. See Differential Bearing Adjustment Shim Table on page 204 for thickness specifications. The bearing cone spacer (44849) can be purchased separately in kit 701152X.

MODEL 80 REAR AXLES FOR FORD VARIABLE PARTS TABLE

Kits & Parts - Use With All Applications							
Description & Item Number (Refer to "Exploded View" on page 186)			Bills of Material				
			606144	606217	606224	606225	606226
1	Inner Pinion Bearing Kit	3	707065X	707065X	707447X	707447X	707447X
2	KIT – Pinion Brg Adj Shim	-	707066X	707066X	707480X	707480X	707480X
3	KIT – Diff & Pinion Shim	-	707365X	707365X	707481X	707481X	707481X
4	Seal – Oil	-	—	—	51180	51180	51180
5	End Yoke or Comp.Flange (inc 10)	9	76809X	76809X	84061	84062	84061
6	Slinger – End Yoke	10	42432	42432	51182	51182	51182
7	KIT – Carrier Cover	-	707231X	707231X	707479X	707478X	707479X
8	Cover – Carrier	13	42434	42434	47717-1	47843	47717-1
9	Plug – Carrier Cover	14	38637	38637	38637	38637	38637
10	Bolt – Carrier Cover(qty 10)	15	34822	34822	34822	47508	34822
11	Diff Outboard Spacer Kit	20	701133X ⁸	701133X ⁸	701133X ⁸	701133X ⁸	701133X ⁸
12	KIT – Diff Brg Adj Shim	21	707364X	707364X	707364X	707364X	707364X
13	Gear – Differential (std)	26	42411	42411	42411	43652	42411
14	Seal – Oil (Inner Wheel)	30	47507	47507	47507	47860	47507
15	Bearing Cone – Inner Wheel	31	565906	565906	565906	566071	565906
16	Bearing Cone – Outer Wheel	33	565911	565911	565911	550348	565911
17	Retainer – Wheel Bearing (RH)	34	43075	43075	43075	47858	43075
18	Retainer – Wheel Bearing (LH)	-	43075	43075	43075	47858	43075
19	Gasket	35	39697	39697	—	—	—
20	Screw & Lockwasher Assy	37	45720	45720	45816	45816	45816
21	Shaft – Differential (t/l)	40	—	—	47802	—	47802
22	Gear – Differential (t/l)	41	—	—	47796	—	47796
23	Thrustwasher – Pinion (t/l)	42	—	—	47800	—	47800
24	Pinion – Differential (t/l)	43	—	—	47798	—	47798
25	PKG – Disc & Plate (t/l)	-	—	—	702009	—	702009
26	Bolt – Differential Case (t/l)	47	—	—	41610-1	—	41610-1
27	Retainer Ring / O-Ring	48	—	—	47893	47857	47893
28	Nut – Spindle	49	—	—	—	—	—
29	Lockwasher	50	—	—	—	—	—

(See next page for additional bills of material)

⁸ 701133X & 707069X contain bearing preload spacers which can be purchased separately. See Differential Bearing Adjustment Shim Table on page 204 for thickness specifications. The bearing cone spacer (44849) can be purchased separately in kit 701152X.

MODEL 80 REAR AXLES FOR FORD VARIABLE PARTS TABLE

Kits & Parts - Use With All Applications							
Description & Item Number (Refer to "Exploded View" on page 186)			Bills of Material				
			606227	606228	606263	606310	606321
1	Inner Pinion Bearing Kit	3	707447X	707447X	707447X	707447X	707065X
2	KIT – Pinion Brg Adj Shim	-	707480X	707480X	707480X	707480X	707066X
3	KIT – Diff & Pinion Shim	-	707481X	707481X	707481X	707481X	707365X
4	Seal – Oil	-	51180	51180	51180	51180	—
5	End Yoke or Comp.Flange (inc 10)	9	84061	84062	3-4-11081-1X	84061	76809X
6	Slinger – End Yoke	10	51182	51182	231872	51182	42432
7	KIT – Carrier Cover	-	707479X	707478X	707479X	707479X	707231X
8	Cover – Carrier	13	47717-1	47843	47717-1	47717-1	42434
9	Plug – Carrier Cover	14	38637	38637	38637	38637	38637
10	Bolt – Carrier Cover(qty 10)	15	34822	47508	34822	34822	34822
11	Diff Outboard Spacer Kit	20	701133X ⁸	701133X ⁸	701133X ⁸	701133X ⁸	701133X ⁸
12	KIT – Diff Brg Adj Shim	21	707364X	707364X	707364X	707364X	707364X
13	Gear – Differential (std)	26	—	43652	42411	42411	42411
14	Seal – Oil (Inner Wheel)	30	47507	47860	47507	47507	47507
15	Bearing Cone – Inner Wheel	31	565906	566071	565906	565906	565906
16	Bearing Cone – Outer Wheel	33	565911	550348-1	565911	565911	565911
17	Retainer – Wheel Bearing (RH)	34	43075	47858	43075	43075	43075
18	Retainer – Wheel Bearing (LH)	-	43075	47858	43075	43075	43075
19	Gasket	35	—	—	—	—	39697
20	Screw & Lockwasher Assy	37	45816	45816	45816	45816	45720
21	Shaft – Differential (t/l)	40	47802	—	47802	47802	—
22	Gear – Differential (t/l)	41	47796	—	47796	47796	—
23	Thrustwasher – Pinion (t/l)	42	47800	—	47800	47800	—
24	Pinion – Differential (t/l)	43	47798	—	47798	47798	—
25	PKG – Disc & Plate (t/l)	-	702009	—	702009	702009	—
26	Bolt – Differential Case (t/l)	47	41610-1	—	41610-1	41610-1	—
27	Retainer Ring / O-Ring	48	47893	47857	47893	47893	—
28	Nut – Spindle	49	—	—	—	—	—
29	Lockwasher	50	—	—	—	—	—

(See next page for additional bills of material)

⁸ 701133X & 707069X contain bearing preload spacers which can be purchased separately. See Differential Bearing Adjustment Shim Table on page 204 for thickness specifications. The bearing cone spacer (44849) can be purchased separately in kit 701152X.

MODEL 80 REAR AXLES FOR FORD VARIABLE PARTS TABLE

Kits & Parts - Use With All Applications							
Description & Item Number (Refer to "Exploded View" on page 186)			Bills of Material				
			606609	606610	606611	606612	606613
1	Inner Pinion Bearing Kit	3	707447X	707447X	707447X	707447X	707447X
2	KIT – Pinion Brg Adj Shim	-	707480X	707480X	707480X	707480X	707480X
3	KIT – Diff & Pinion Shim	-	707481X	707481X	707481X	707481X	707481X
4	Seal – Oil	-	51180	51180	51180	51180	51180
5	End Yoke or Comp.Flange (inc 10)	9	84827	84829	84827	84827	84829
6	Slinger – End Yoke	10	84406	84406	84406	84406	84406
7	KIT – Carrier Cover	-	707479X	708121	707479X	707479X	708121
8	Cover – Carrier	13	47717-1	51420	47717-1	47717-1	51420
9	Plug – Carrier Cover	14	38637	38637	38637	38637	38637
10	Bolt – Carrier Cover(qty 10)	15	34822	47508	34822	34822	47508
11	Diff Outboard Spacer Kit	20	701133X ⁸	701133X ⁸	701133X ⁸	701133X ⁸	701133X ⁸
12	KIT – Diff Brg Adj Shim	21	707364X	707364X	707364X	707364X	707364X
13	Gear – Differential (std)	26	42411	43652	42411	—	43652
14	Seal – Oil (Inner Wheel)	30	47507	47860	47507	47507	47860
15	Bearing Cone – Inner Wheel	31	565906	566071	565906	565906	566071
16	Bearing Cone – Outer Wheel	33	565911	550348	565911	565911	550348
17	Retainer – Wheel Bearing (RH)	34	43075	47858	43075	43075	47858
18	Retainer – Wheel Bearing (LH)	-	43075	47858	43075	43075	47858
19	Gasket	35	—	—	—	—	—
20	Screw & Lockwasher Assy	37	45816	45816	45816	45816	45816
21	Shaft – Differential (t/l)	40	47802	—	—	47802	—
22	Gear – Differential (t/l)	41	52139	—	—	52139	—
23	Thrustwasher – Pinion (t/l)	42	47800	—	—	47800	—
24	Pinion – Differential (t/l)	43	52141	—	—	52141	—
25	PKG – Disc & Plate (t/l)	-	702009	—	—	702009	—
26	Bolt – Differential Case (t/l)	47	41610-1	—	—	41610-1	—
27	Retainer Ring / O-Ring	48	47893	47857	47893	47893	47857
28	Nut – Spindle	49	—	—	—	—	—
29	Lockwasher	50	—	—	—	—	—

(See next page for additional bills of material)

⁸ 701133X & 707069X contain bearing preload spacers which can be purchased separately. See Differential Bearing Adjustment Shim Table on page 204 for thickness specifications. The bearing cone spacer (44849) can be purchased separately in kit 701152X.

MODEL 80 REAR AXLES FOR FORD VARIABLE PARTS TABLE

Kits & Parts - Use With All Applications							
Description & Item Number (Refer to "Exploded View" on page 186)			Bills of Material				
			606614	606773	606774	606775	606777
1	Inner Pinion Bearing Kit	3	707447X	707447X	707447X	707447X	707447X
2	KIT – Pinion Brg Adj Shim	-	707480X	707480X	707480X	707480X	707480X
3	KIT – Diff & Pinion Shim	-	707481X	707481X	707481X	707481X	707481X
4	Seal – Oil	-	51180	51180	51180	51180	51180
5	End Yoke or Comp.Flange (inc 10)	9	84827	84794	84794	84794	84827
6	Slinger – End Yoke	10	84406	84406	84006	84406	84406
7	KIT – Carrier Cover	-	707479X	707479X	707479X	707479X	707479X
8	Cover – Carrier	13	47717-1	47717-1	47717-1	47717-1	47717-1
9	Plug – Carrier Cover	14	38637	38637	38637	38637	38637
10	Bolt – Carrier Cover(qty 10)	15	34822	34822	34822	34822	34822
11	Diff Outboard Spacer Kit	20	701133X ⁸	701133X ⁸	701133X ⁸	701133X ⁸	701133X ⁸
12	KIT – Diff Brg Adj Shim	21	707364X	707364X	707364X	707364X	707364X
13	Gear – Differential (std)	26	42411	42411	—	42411	42411
14	Seal – Oil (Inner Wheel)	30	47507	47507	47507	47507	47507
15	Bearing Cone – Inner Wheel	31	565906	565906	565906	565906	565906
16	Bearing Cone – Outer Wheel	33	565911	565911	565911	565911	565911
17	Retainer – Wheel Bearing (RH)	34	43075	43075	43075	43075	43075
18	Retainer – Wheel Bearing (LH)	-	43075	43075	43075	43075	43075
19	Gasket	35	—	—	—	—	—
20	Screw & Lockwasher Assy	37	45816	45816	45816	45816	45816
21	Shaft – Differential (t/l)	40	47802	47802	47802	47802	47802
22	Gear – Differential (t/l)	41	52139	52139	52139	52139	52139
23	Thrustwasher – Pinion (t/l)	42	47800	47800	47800	47800	47800
24	Pinion – Differential (t/l)	43	52141	52141	52141	52141	52141
25	PKG – Disc & Plate (t/l)	-	702009	702009	702009	702009	702009
26	Bolt – Differential Case (t/l)	47	41610-1	41610-1	41610-1	41610-1	41610-1
27	Retainer Ring / O-Ring	48	47893	47893	47893	47893	47893
28	Nut – Spindle	49	—	—	—	—	—
29	Lockwasher	50	—	—	—	—	—

(See next page for additional bills of material)

⁸ 701133X & 707069X contain bearing preload spacers which can be purchased separately. See Differential Bearing Adjustment Shim Table on page 204 for thickness specifications. The bearing cone spacer (44849) can be purchased separately in kit 701152X.

MODEL 80 REAR AXLES FOR FORD VARIABLE PARTS TABLE

Kits & Parts - Use With All Applications						
Description & Item Number (Refer to "Exploded View" on page 186)			Bills of Material			
			606778	606779	606780	606781
1	Inner Pinion Bearing Kit	3	707447X	707447X	707447X	707447X
2	KIT – Pinion Brg Adj Shim	-	707480X	707480X	707480X	707480X
3	KIT – Diff & Pinion Shim	-	707481X	707481X	707481X	707481X
4	Seal – Oil	-	51180	51180	51180	51180
5	End Yoke or Comp.Flange (inc 10)	9	84829	84829	84827	84827
6	Slinger – End Yoke	10	84406	84406	84406	84406
7	KIT – Carrier Cover	-	708121	708121	707479X	707479X
8	Cover – Carrier	13	51420	51420	47717-1	47717-1
9	Plug – Carrier Cover	14	38637	38637	38637	38637
10	Bolt – Carrier Cover(qty 10)	15	47508	47508	34822	34822
11	Diff Outboard Spacer Kit	20	701133X ⁸	701133X ⁸	701133X ⁸	701133X ⁸
12	KIT – Diff Brg Adj Shim	21	707364X	707364X	707364X	707364X
13	Gear – Differential (std)	26	43652	43652	—	42411
14	Seal – Oil (Inner Wheel)	30	47860	47860	47507	47507
15	Bearing Cone – Inner Wheel	31	566071	566071	565906	565906
16	Bearing Cone – Outer Wheel	33	550348	550348	565911	565911
17	Retainer – Wheel Bearing (RH)	34	47858	47858	43075	43075
18	Retainer – Wheel Bearing (LH)	-	47858	47858	43075	43075
19	Gasket	35	—	—	—	—
20	Screw & Lockwasher Assy	37	45816	45816	45816	45816
21	Shaft – Differential (t/l)	40	—	—	47802	47802
22	Gear – Differential (t/l)	41	—	—	52139	52139
23	Thrustwasher – Pinion (t/l)	42	—	—	47800	47800
24	Pinion – Differential (t/l)	43	—	—	52141	52141
25	PKG – Disc & Plate (t/l)	-	—	—	702009	702009
26	Bolt – Differential Case (t/l)	47	—	—	41610-1	41610-1
27	Retainer Ring / O-Ring	48	47857	47857	47893	47893
28	Nut – Spindle	49	—	—	—	—
29	Lockwasher	50	—	—	—	—

⁸ 701133X & 707069X contain bearing preload spacers which can be purchased separately. See Differential Bearing Adjustment Shim Table on page 204 for thickness specifications. The bearing cone spacer (44849) can be purchased separately in kit 701152X.

CAMBER/CASTING BUSHING TABLE

Ford 28IFS Front Optional Camber/Caster Bushing Chart (round)

CASTER			CAMBER			Part Number	Color
Amount of Caster Correction	Right Side	Left Side	Amount of Camber Correction	Right Side	Left Side		
0° 00'	none	none	0 00'	none	none	40218	none
0° 00'	none	none	1 00'	positive (1) negative (2)	positive (1) negative (2)	42981	
1° 00'	positive	do not use	1 00'	positive (1) negative (2)	do not use	43182	

(1) Arrow out (2) Arrow in

Ford 28IFS and 35IFS Front Optional Camber/Caster Bushing Chart (hexagonal)

Amount of Caster Correction	Right Side	Left Side	Amount of Camber Correction	Part Number	Color
0° 00'	none	none	0 00'	43918	Black
0° 00'	none	none	0 30'	43592	Green
0° 00'	none	none	1 00'	43919	Red
0° 00'	none	none	1 30'	43920	Blue

No Arrows

Ford 44IFS and 50IFS Front Optional Camber/Caster Bushing Chart

CASTER			CAMBER			Part Number	Color
Amount of Caster Correction	Right Side	Left Side	Amount of Camber Correction	Right Side	Left Side		
0° 00'	none	none	0 30'	none	none	42229	none
0° 00'	none	none	1 00'	none	none	43149	Red
0° 00'	none	none	1 30'	none	none	43579	Blue
0° 30'			0 54'	positive (1) negative (2)	positive (1) negative (2)	46580	Black
0° 30'			1 24'	positive (1) negative (2)	positive (1) negative (2)	46579	Yellow

(1) Arrow out (2) Arrow in

Ford 50 and 60 Front Optional Camber/Caster Bushing Chart

Amount of Caster Correction	Right Side	Left Side	Amount of Camber Correction	Part Number	Color
0° 00'	none	none	0 00'	44507	Black
0° 30'	positive	negative	0 00'	44508	Red
0° 30'	negative	positive	0 00'	44509	Blue
0° 45'	positive	none	0 00'	44510	Green
0° 45'	negative	positive	0 00'	44511	Yellow
0° 00'	positive	negative	0 30'	50421	Pink
0° 30'	negative	positive	0 30'	50422	Orange

No Arrows

Notes: The camber can be used for both positive and negative applications, unless otherwise noted. For negative camber, point the arrow on the camber adjuster inboard. OPT is for optional bushing.

DIFFERENTIAL BEARING ADJUSTMENT SHIMS

Model 60 Rear & 70 Rear

Part Number	Nominal		Manufacturing Limits	
	MM	Inch	MM	Inch
47560-241	2.41	0.095	2.400/2.423	0.0945/0.0954
47560-254	2.54	0.100	2.527/2.550	0.0995/0.1004
47560-267	2.67	0.105	2.654/2.677	0.1045/0.1054
47560-279	2.79	0.110	2.791/2.804	0.1095/0.1104
47560-292	2.92	0.115	2.908/2.931	0.1145/0.1154
47560-305	3.05	0.120	3.035/3.058	0.1195/0.1204
47560-318	3.18	0.125	3.162/3.185	0.1245/0.1254
47560-330	3.30	0.130	3.289/3.312	0.1295/0.1304
47560-343	3.43	0.135	3.416/3.439	0.1345/0.1354
47560-356	3.56	0.140	3.543/3.566	0.1395/0.1404
47560-368	3.68	0.145	3.670/3.693	0.1445/0.1454
47560-381	3.81	0.150	3.797/3.820	0.1495/0.1504
47560-394	3.94	0.155	3.924/3.947	0.1545/0.1554
47560-406	4.06	0.160	4.051/4.074	0.1595/0.1604
47560-419	4.19	0.165	4.178/4.201	0.1645/0.1654
47560-432	4.32	0.170	4.305/4.328	0.1695/0.1704
47560-445	4.45	0.175	4.432/4.455	0.1745/0.1754
47560-457	4.57	0.180	4.559/4.582	0.1795/0.1804
44848-1	4.61	0.181	4.623/4.597	0.1820/0.1810
44848-2	4.65	0.183	4.661/4.636	0.1835/0.1825
44848-3	4.69	0.185	4.699/4.674	0.1850/0.1840
44848-4	4.72	0.186	4.737/4.712	0.1865/0.1855

Model 80 Rear

Part Number	Nominal		Manufacturing Limits	
	MM	Inch	MM	Inch
44848	4.76	0.188	4.775/4.750	0.1880/0.1870
44848-5	4.76	0.188	4.775/4.750	0.1880/0.1870
44848-6	4.80	0.189	4.813/4.788	0.1895/0.1885
44848-7	4.84	0.191	4.851/4.826	0.1850/0.1900
44848-8	4.88	0.192	4.890/4.864	0.1910/0.1915
44848-9	4.91	0.194	4.928/4.902	0.1940/0.1930
44848-10	4.95	0.195	4.966/4.940	0.1955/0.1945
44848-11	4.99	0.197	5.004/4.978	0.1970/0.1960
44848-12	5.03	0.198	5.042/5.017	0.1985/0.1975
44848-13	5.07	0.200	5.085/5.055	0.2000/0.1990
44848-14	5.11	0.201	5.118/5.093	0.2015/0.2005
44848-15	5.14	0.203	5.156/5.131	0.2030/0.2020
44848-16*	5.18	0.204	5.494/5.169	0.2045/0.2035
44848-17	5.22	0.205	5.232/5.207	0.2006/0.2050
44848-18*	5.26	0.207	5.271/5.245	0.2075/0.2065
44848-20*	5.33	0.210	5.347/5.321	0.2105/0.2095
44848-21	5.37	0.211	5.385/5.359	0.2120/0.2110
44848-22*	5.41	0.213	5.423/5.398	0.2135/0.2125
44848-23	5.45	0.215	5.461/5.436	0.2150/0.2140
44848-24*	5.41	0.216	5.499/5.474	0.2165/0.2155
44848-25	5.57	0.218	5.537/5.512	0.2180/0.1170
44848-26*	5.51	0.219	5.575/5.550	0.2195/0.2185
44848-27	5.67	0.221	5.613/5.588	0.2210/0.1200
44848-28*	5.61	0.222	5.652/5.626	0.2225/0.2215
44848-29	5.67	0.224	5.690/5.664	0.2240/0.1230
44848-30*	5.71	0.225	5.728/5.702	0.2255/0.2245
44848-31	5.77	0.227	5.766/5.740	0.2270/0.1260
44848-32*	5.71	0.228	5.804/5.779	0.2285/0.2275
44848-33	5.87	0.230	5.842/5.817	0.2300/0.1290
44848-34*	5.81	0.231	5.880/5.855	0.2315/0.2305
44848-35	5.97	0.233	5.918/5.893	0.2330/0.1320
44848-36*	5.91	0.234	5.956/5.931	0.2345/0.2335
44848-37	5.97	0.235	5.994/5.969	0.2360/0.1350
44848-38*	6.01	0.237	6.033/6.007	0.2375/0.2365
44848-39	6.01	0.238	6.071/6.045	0.2395/0.2385
44848-40*	6.11	0.240	6.109/6.083	0.2405/0.2395
44848-41	6.13	0.241	6.147/6.121	0.2420/0.2410

Model 70 Rear

Part Number	Nominal		Manufacturing Limits	
	MM	Inch	MM	Inch
44849	6.48	0.255	6.464/6.487	0.2545/0.2554
48849-648	6.48	0.255	6.464/6.487	0.2545/0.2554
48849-635	6.35	0.250	6.237/6.360	0.2495/0.2504
48849-622	6.22	0.245	6.210/6.233	0.2445/0.2454
48849-610	6.10	0.240	6.083/6.106	0.2395/0.2404
48849-597	5.97	0.235	5.956/5.979	0.2345/0.2354
48849-584	5.84	0.230	5.829/5.852	0.2295/0.2304
48849-572	5.72	0.225	5.702/5.725	0.2245/0.2254
48849-559	5.59	0.220	5.575/5.598	0.2195/0.2204
48849-546	5.46	0.215	5.448/5.471	0.2145/0.2154
48849-533	5.33	0.210	5.321/5.344	0.2095/0.2104
48849-521	5.21	0.205	5.194/5.217	0.2045/0.2054
48849-508	5.08	0.200	5.067/5.090	0.1995/0.2004
48849-495	4.95	0.195	4.940/4.963	0.1945/0.1954
48849-483	4.83	0.190	4.813/4.836	0.1895/0.1904
48849-470	4.70	0.185	4.686/4.709	0.1845/0.1854
48849-457	4.57	0.180	4.559/4.582	0.1795/0.1804

* Included in Kit 701133X